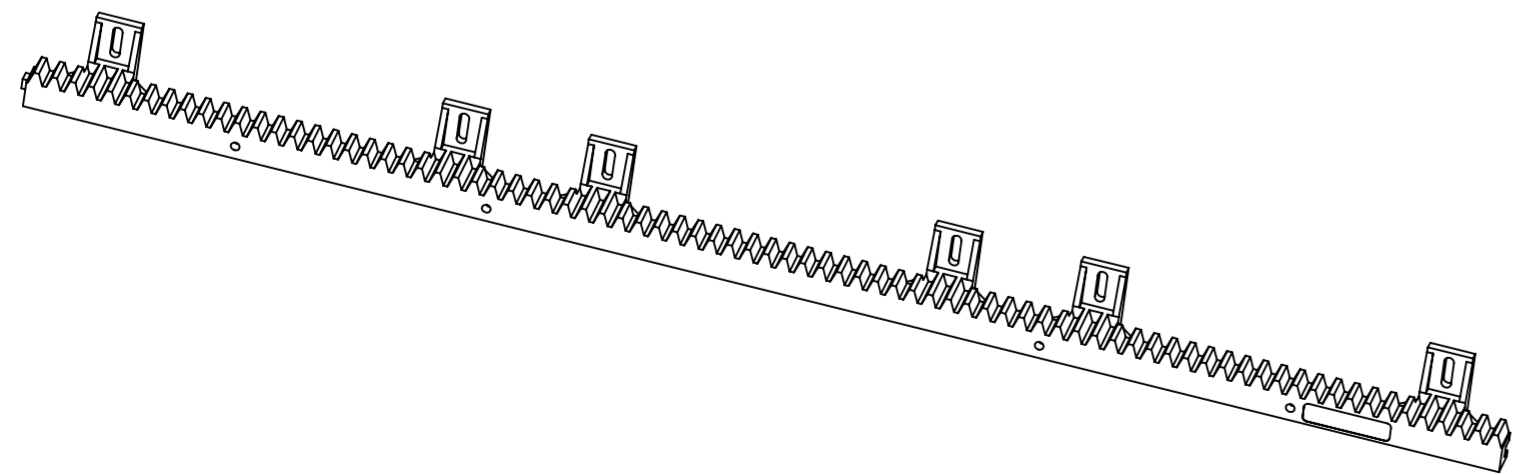
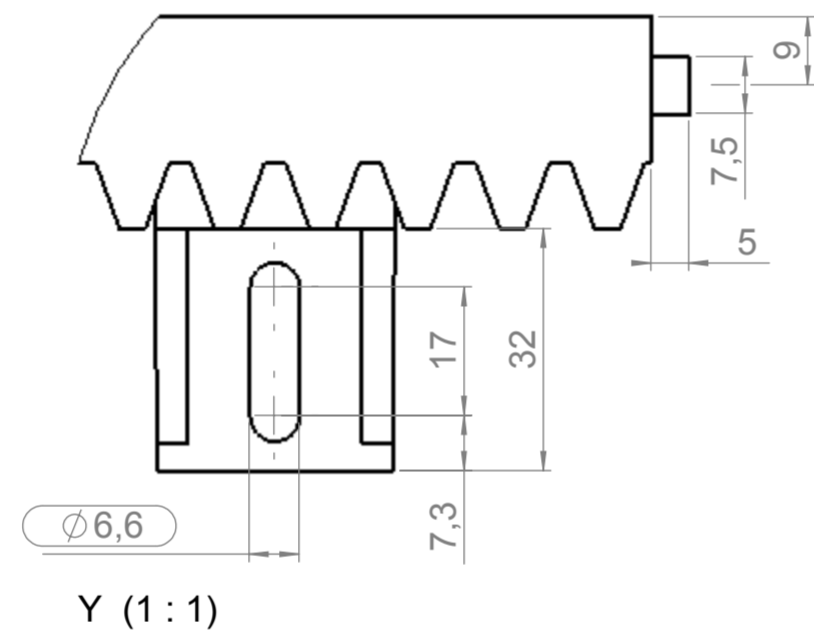
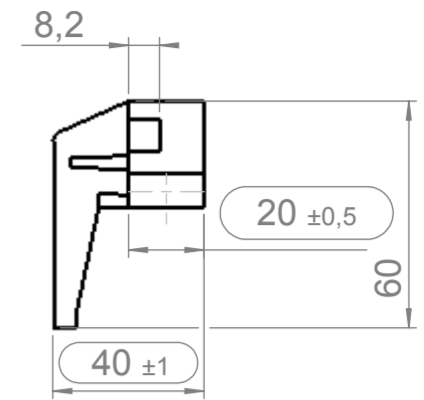
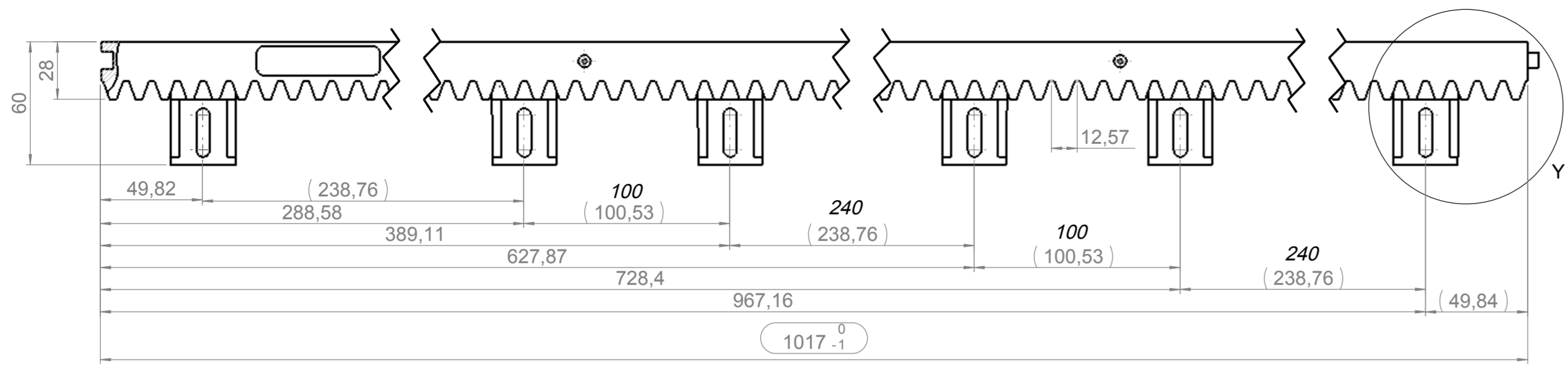


Inspection:  
The parts have to be inspected during manufacturing according to the quality control plan released by Sommer. Modifications on the manufacturing process and/or the quality control plan must generally be inspected by Sommer.



Material		Date	Name	Issue Panel Description		Date	Name
Surface treatment		Drawn		Modifications		Submission Level: <b>B</b>	
Dimensions without individual tolerance indications: ISO 2768-mK		Checked		Title		<b>Rack 1 m Plastic</b>	
Scale: 1:2 (2:1;1:1)		Appr.		Article number		<b>5829V001</b>	
Do not scale-if in doubt ask!		All dimensions in millimetres		Copyright and property of Sommer Antriebs- und Funktechnik GmbH. All rights reserved. Referred to protection notice ISO 16016.		Size	Sheet
				Replacement for:		A2	1
				Replaced by:		1	Sh