



YOURDOOR



AUTOMATIC GARAGE DOOR SYSTEMS

CUSTOM SOLUTIONS FOR ALL REQUIREMENTS

GARAGE DOORS THAT EXCEL IN POWER AND PERFORMANCE

Quality and the customer first

Safety, design, reliability and individuality are increasingly important aspects in construction projects today, making them key requirements for garage door systems too. Continuous further development, and improvement of technical and architectural details, meet both the requirements of European standards and the wishes of the most discerning customers.

Our automated doors are products of premium quality fully certified and backed by clear warranties.

Functional safety, materials of the highest quality, high-grade surfaces, state-of-the-art design, easy installation and a long service life – **YOURDOOR** will convince you!





WHAT MAKES **YOURDOOR** SO SPECIAL

PROFIT FROM OUR MANY YEARS OF EXPERIENCE



>> Tested and certified!

Ideal interplay between door and operator guarantees the highest level of safety, a long service life and convenience. Continuous improvement of our products is fuelled by inventive talent and above all the input of our technicians. The result: practical solutions for satisfied customers. All components of the YOURDOOR sectional door are specially coordinated.

The door system is certified to **European standard 13241-1** by independent, accredited testing institutes. In this way, you can rest assured that you have purchased a secure and tested door.

That is also why we offer our customers a **10-year guarantee** on all sectional doors and a **5-year guarantee** on the garage door operators.



>> Stable and heat-insulated!

In addition, the stable door panel with 40 mm thick insulated sections offers very good heat insulation.

Efficiently designed sealing systems also provide good sealing for the system as well as compensating for areas of uneven ground. This means energy savings to save you money for the long term.

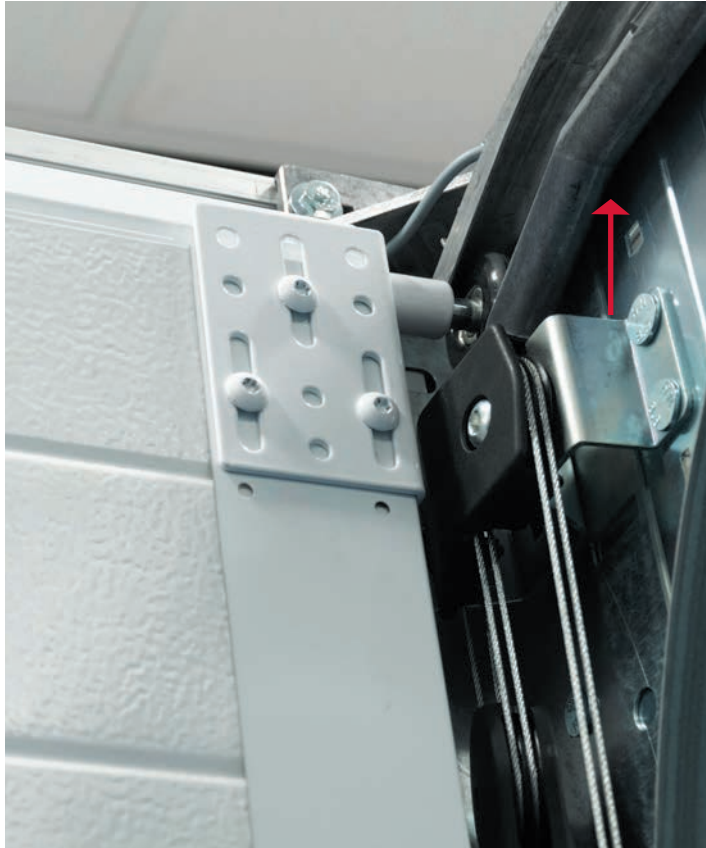
>> Smooth-running and high quality!

The tandem rollers used as standard reduce the weight load per roller. This means permanently less load on the rollers and guide rails, extending the service life of your door.

The additional integrated ball bearings and standard 'silent' inserts, which are usually only used in industrial doors, provide better rolling performance and therefore a quieter door in operation, and less wear. Neighbours and sleeping loved ones will not be disturbed by the working door and it will stay that way for years to come.

WHAT MAKES YOUR **YOURDOOR** SO SPECIAL

PROFIT FROM OUR MANY YEARS OF EXPERIENCE



with spring cover



without spring cover

>> **Sturdy and functional!**

The rail system of the door is made entirely of metal. Unlike some competitors, we do not cut costs by using plastic elements for our doors. "Metal is metal," say our technicians, and they should know!

Greater stability and less wear on the rollers are guaranteed thanks to the one-piece horizontal rail with integrated arch. This eliminates the shock normally created by the transition from curved to straight rail.

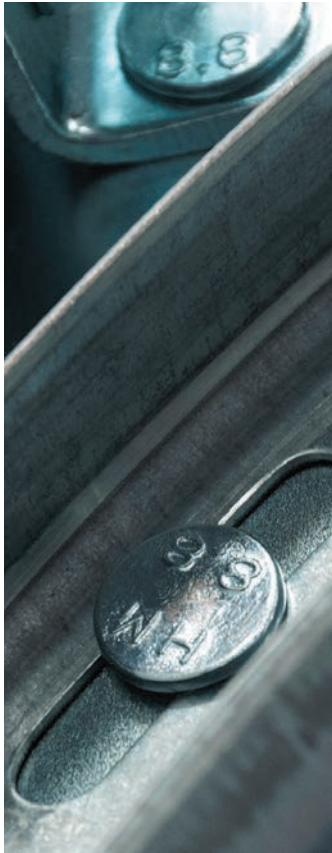
In addition to reducing wear, this also means that the door runs even more smoothly. Future generations will still enjoy the benefits of YOURDOOR.

>> **Strong and beautiful!**

The YOURDOOR "spring in spring" door system with tension springs (multiple springs placed one inside the other) guarantees a perfect weight balance for many years.

With 15,000 guaranteed operation cycles, our performance statistics are around 50% better than doors from well-known competitors. You save money thanks to reduced servicing and repair costs.

With the standard spring cover, the door springs are completely concealed and inaccessible to children. This creates an appealing interior view of the door because the covered springs prevent dust and cobweb accumulation, and children's fingers are protected from being trapped or pinched.



>> Stable in value and construction!

We make no compromises when it comes to the materials used in your sectional door. The joints and hinges of a sectional door are the only connections between the door sections and hold your door together.

They are also responsible for the continuous hinge-like movement of the door sections. For larger doors, the enormous weight can affect these hinges in a negative way.

With 2.5 mm thick, solid steel hinges, we use more than 25% more material than on competitor doors. The additional material strength improves the solid fixing of the door rollers to the side hinges.

Even after many years and with high loads, you can be certain that the door will hold securely and run smoothly. This saves on maintenance costs and increases protection against break-ins and falls.

WHAT MAKES **YOURDOOR** SO SPECIAL

PROFIT FROM OUR MANY YEARS OF EXPERIENCE



YOURDOOR **with** protective side cover

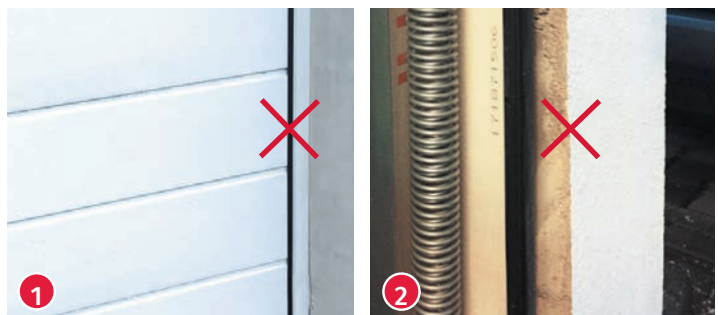


Competitor model **without** protective side cover

>> Safe and solid!

There is a risk of injury to fingers if they are accidentally caught between the door panel and rail while the door is moving. YOURDOOR is equipped with a protective side cover, which also covers the upper arch of the rail.

The solid steel cover and the stabilising bolted joints between frame and rail boost the strength of the overall construction, thus extending service life. Curious children's hands are also safe from injury.



>> Discreet and with comprehensive protection!

Moisture and waterlogging in the garage produce a load on the frame connections on the ground. The visually discrete frame foot of YOURDOOR, made from high quality plastic, protects against possible corrosion.

This saves you time as no rust removal or paint repair work needs to be carried out on the attractive finish.

>> Custom-fit and low cost!

YOURDOOR will be made to measure by us in-house. You no longer need to make any compromises with standard sizes. There are no protruding parts (1) that can often cause impact damage. Unattractive views of masonry (2) due to recessed frames are also a thing of the past.

YOURDOOR is custom-made to fit the opening, and unlike many competitors, we do this **at no extra charge!**

WHAT MAKES **YOURDOOR** SO SPECIAL

PROFIT FROM OUR MANY YEARS OF EXPERIENCE



>> High quality and environmentally sensitive.

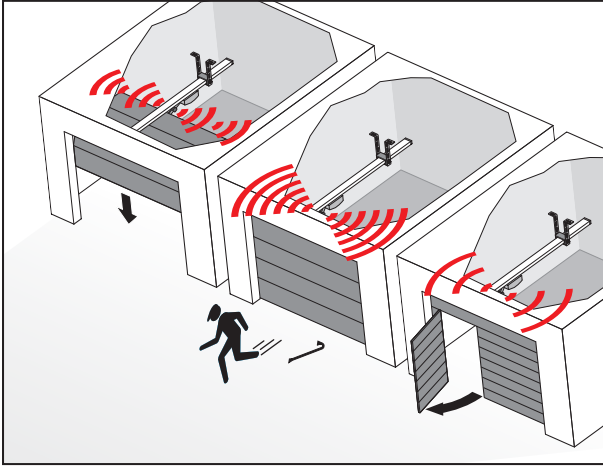
The garage door operator, developed by electrical engineers, is fully coordinated to your door, so that its convenient, radio-controlled opening function will continue to improve your quality of life for many years to come.

Changes in the ambient temperature (summer-winter) also change the running behaviour of the door. Sophisticated safety software detects these changes immediately and automatically corrects the force potential of the operator. This means that you enjoy reliable operation even in the coldest weather, together with the comforting feeling of optimum safety for your loved ones.

>> Durable and fast-acting!

The basic concept of a stationary chain with a travelling motor has several key advantages. This concept avoids additional load on the motor caused by the chain tension required with a continuous chain or toothed belt, and wear is drastically reduced. This extends the service life and reduces repair costs.

The direct connection between the travelling motor and the door panel swiftly transfers even the slightest changes in force when an obstacle is detected. Measuring errors, which can occur in the case of the continuous chains or toothed belts used in competitor operators, are minimised. This also prevents accidents to unwary children.



See page 29 for Buzzer accessory.

>> Burglar-resistant and clever!

YOURDOOR makes life difficult for burglars. The operator can detect a break-in attempt, and it will automatically push in the opposite direction, which generates counterpressure. The double rollers and stronger hinges also offer higher resistance in the event of an attempted break-in.

An optional alarm siren and magnetic locking mechanism can also be used. This locking mechanism secures the door not only when it is closed, but even if it has been opened slightly in order to ventilate the garage. And this magnetic locking mechanism even operates during a power cut! Bicycles, motorcycles and your car are protected against theft! The alarm siren warns of the attempted break-in (loud signal tone), thus scaring off the would-be burglars.



WHAT MAKES **YOURDOOR** SO SPECIAL
PROFIT FROM OUR MANY YEARS OF EXPERIENCE



>> Environmentally friendly and low-radiation!

The environment and our health are our most valuable assets. This is a conviction anchored in the core values of YOURDOOR!

For this reason, your garage door operator has a power consumption of below one watt in standby mode, making it one of the most energy-saving door operators on the market.

The increase in the radiation sources in our environment promotes diseases and health problems. That is why the YOURDOOR radio system was designed to emit only extremely low levels of radiation. As a comparison: A mobile phone emits 2000 times more radiation than the YOURDOOR radio system. Your health and well-being are important to us.



>> Quick and gentle!

With an opening speed of up to 240 mm/sec., the YOURDOOR operator is one of the fastest on the market. It opens your door **approx. 70 % faster** than many competitor models, most of which have an opening speed of between 130 mm/sec. and 150 mm/sec. As a result of the soft start and soft stop, your door opens and closes quietly and without jolting, which is gentle on the door mechanism.

You won't hold up traffic while you wait for the door to open, but can drive straight into your garage. This reduces the danger of rear-end collisions.

>> Stable and innovative radio communication!

A restriction in radio range as a result of jamming frequencies leads to unnecessary and inconvenient waiting around for the door to open. With up to 150 m (depending on the surroundings), the YOURDOOR radio system achieves a radio range which is **80 % higher***.

This means that even if there are strong sources of interference nearby, you will still have adequate coverage.

The innovative "auto-repeat" function allows you to give the start command from outside the radio range. The operator will then open the door immediately when you enter the reception range. You are free to concentrate on the traffic as you drive onto your premises and roll smoothly and safely into your garage.

* Compared to SOMloq Rollingcode.

WHAT MAKES **YOURDOOR** SO SPECIAL

PROFIT FROM OUR MANY YEARS OF EXPERIENCE



>> Convenient and secure.

YOURDOOR automatic obstacle detection ensures optimal protection. The operator reverses if an obstacle is encountered preventing pinching or trapping of people, animals and vehicles.

The unique emergency-unlock system allows the door to be disengaged and re-engaged in any position. This allows easy and secure opening in manual use and the peace of mind of being able to unlock and re-lock in the event of power failure.

>> Optimum ventilation and practicality!

Rain and snow bring moisture into the garage. Moisture can lead to mould. This makes bicycles, motorcycles and cars susceptible to corrosion. Optimum ventilation can reduce air humidity.

The optionally available humidity sensor measures the humidity content of the air in the garage and regulates it by opening the door slightly. The door closes automatically when the ideal humidity level is reached. You don't need to do a thing, the value of your assets is maintained and you can avoid having to renovate your garage.

* Photocell required if the door is not visible.



>> Safe, secure and convenient!

SOMweb smart home solution allows you to control your operator from your smartphone, tablet or PC. It is extremely secure as the data actually remains at your property, not stored on external servers. Communication is via SOMweb and the operator's SOMloq2 radio control system with 128-bit AES encryption.

There is no requirement for additional cabling or sensors, making installation very simple. SOMweb works with IFTT and is compatible with Apple HomeKit, Google Assistant and Amazon Alexa, too! And, you can add on video monitoring for complete peace of mind.

DESIGNS WITH THAT SPECIAL LOOK

FOR YOUR INDIVIDUAL STYLING

Today, more than ever before, a garage door is a design element of every house. Colours set visual accents in the façade or reflect elements of the overall design of the property. Modern, smooth surfaces give the garage door an elegant look. High-quality materials mean durability, ensuring that you will be able to enjoy your garage door for a long time to come.



Large (RF) ribs

Clean, modern and visually attractive: our sectional doors with large ribs.



Medium (RS) ribs

Medium ribs give the door a spacious and very modern air.

SURFACES

ACCORDING TO YOUR PERSONAL TASTE



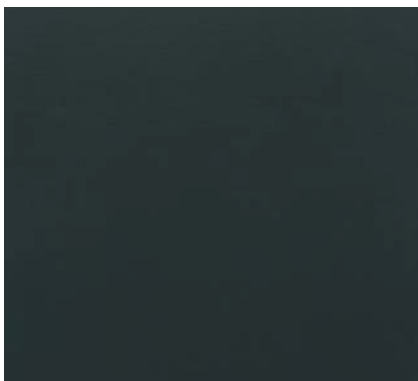
Door illustrated, Deep Matt, in Jet Black.

Smooth: Large (RF) ribs, medium (RS) ribs

This surface is silky smooth. The advantage is that dirt and moisture simply roll off. Looks particularly good with modern architecture.

Deep Matt: Large (RF) ribs

Surface has a light texture and is on-trend, having a flat matt finish.



* In the case of double-skinned doors which are exposed to the sun, dark colours should be avoided, as the heat can cause deflection of the sections, restricting the functionality of the door.

COLOURS

STANDARD COLOURS

similar to RAL 9016
Traffic white Smooth



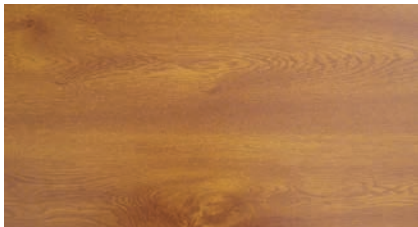
similar to RAL 7016
Anthracite grey Smooth



similar to RAL 9005
Jet black Deep Matt

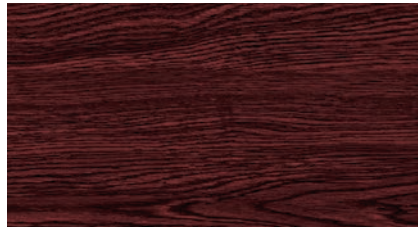


Golden oak



Large (RF) ribs

Rosewood



Large (RF) ribs

TREND COLOURS LARGE (RF) OR MEDIUM (RS) RIBS

similar to RAL 7047
M7-122 - Pale grey



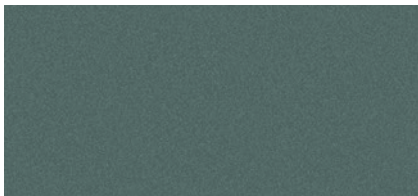
similar to RAL 7038
M7-121 Light grey



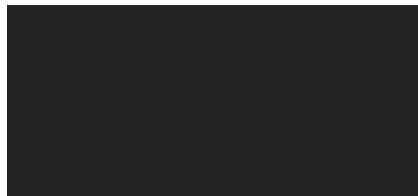
similar to RAL 9006
M7-190 Metallic silver



similar DB 703
M7-193M Gunmetal



similar to RAL 9005
M7-110 Black gloss



similar to RAL 3002
M7-148 Deep red



similar to RAL 3004
M7-145 Burgundy



similar to RAL 5022
M7-156 Navy



similar to RAL 6026
M7-164 Forest







DURA PRINT by **YOURDOOR**

YOUR DOOR - YOUR DESIGN

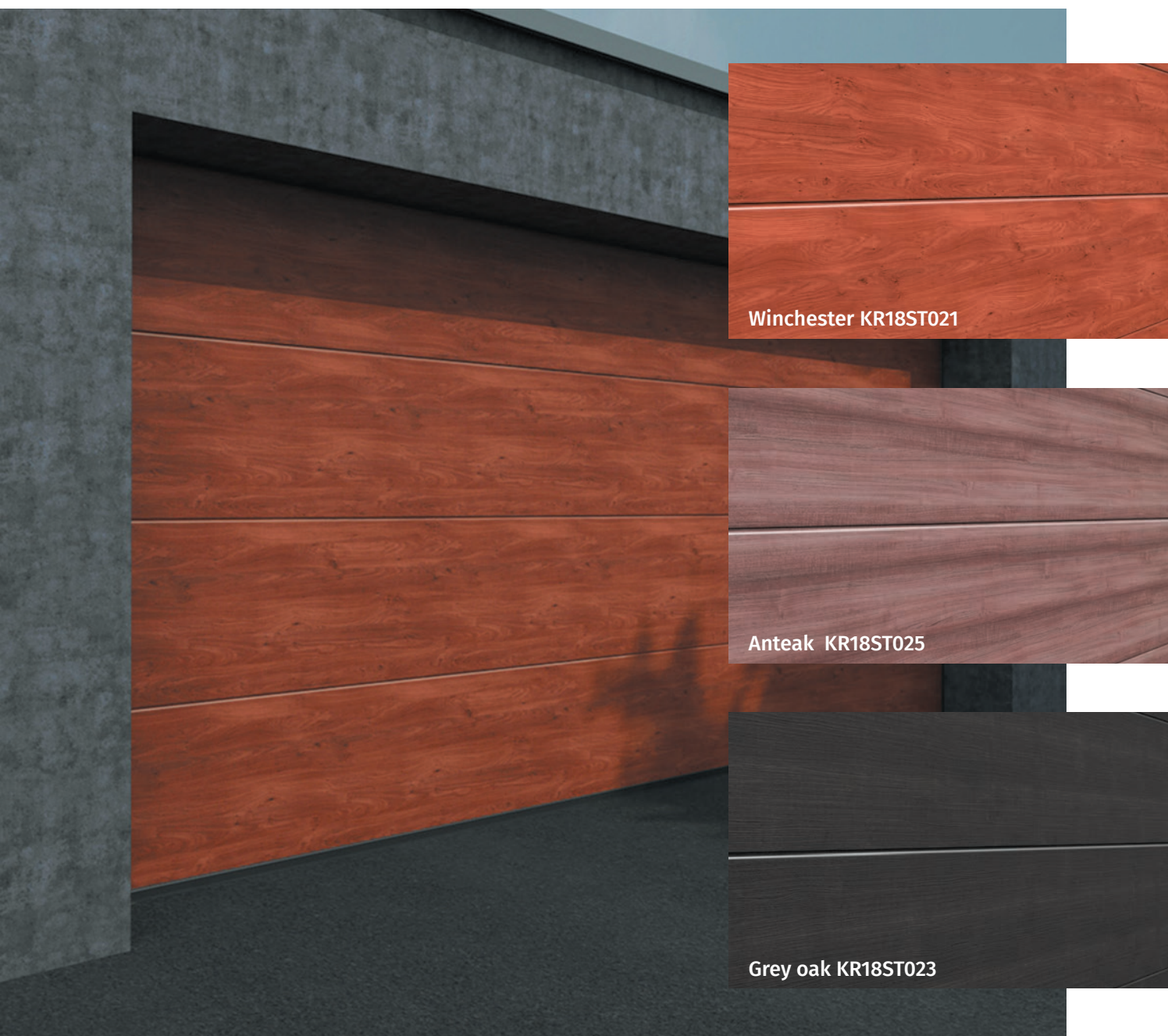
NEW AND PATENTED TECHNOLOGY

FOR DIGITAL INK PRINTING ON DOOR PANELS.

SEE 'DURA PRINT BY YOURDOOR' BROCHURE AND VISIT WWW.YOURDOORUK.CO.UK

- Choose a completely unique and individual design: "Your Door, Your Design"
- 10-year warranty on surface finish
- All panel types and surfaces printable up to 360 dpi resolution
- All designs can be printed on the interior surface of the door panel
- Window frames and other accessories printed to match your door
- Full traceability ensure additional or replacements panel availability
- Applicable for industrial doors, e.g. company logos
- Designs exactly printed to door dimensions

STANDARD DESIGNS

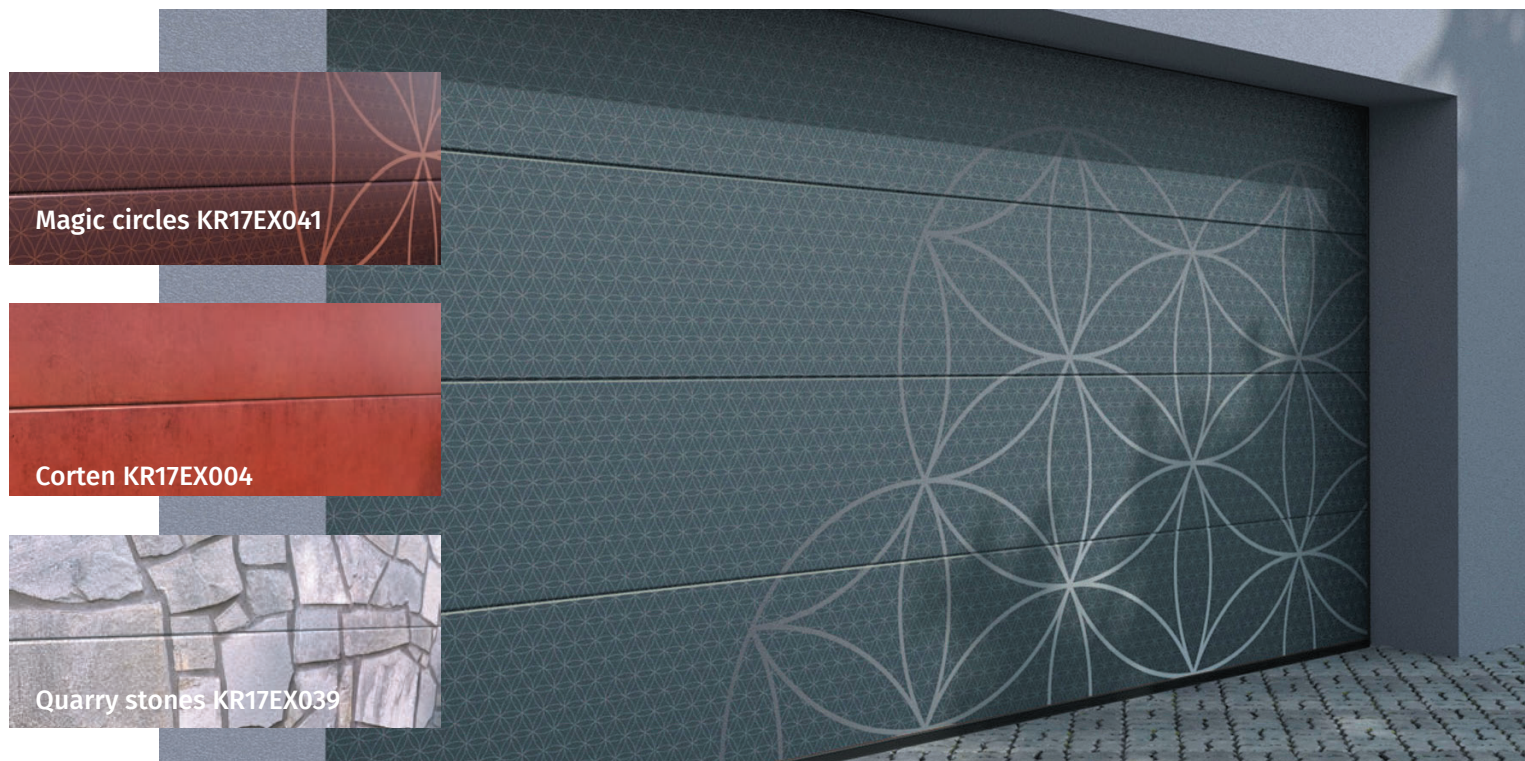


Winchester KR18ST021

Anteak KR18ST025

Grey oak KR18ST023

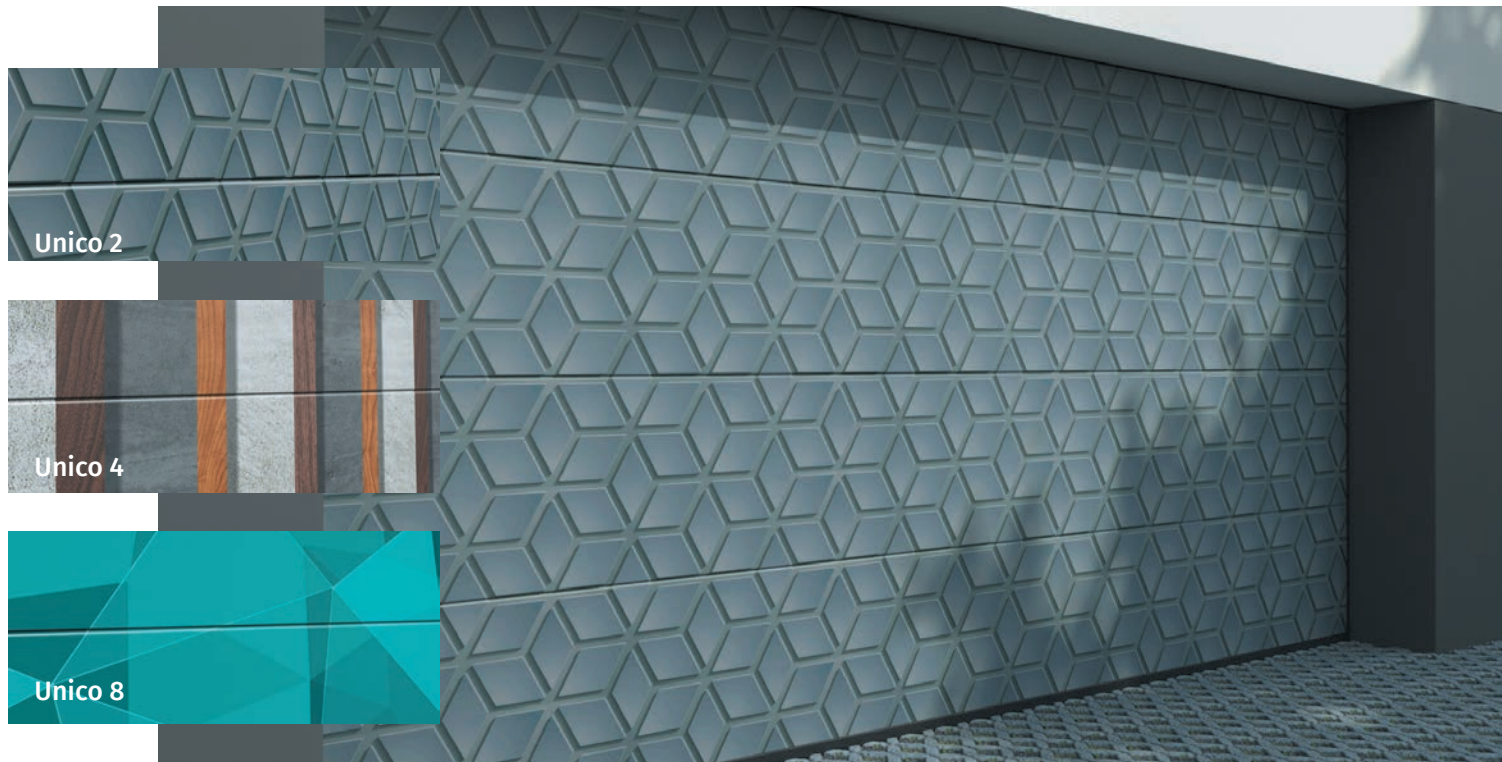
EXCLUSIVE DESIGNS



INDIVIDUAL DESIGNS



UNICO DESIGNS



NEXT GEN DESIGNS



OPTIONS FOR SECTIONAL DOORS

GLAZING



Rectangular glazing

Plexiglass window
548 x 141 mm/
Securwall window, black
424 x 258 mm



Stainless-steel window, rectangular

310 mm, stainless steel



Stainless-steel window, round

330 mm, stainless steel

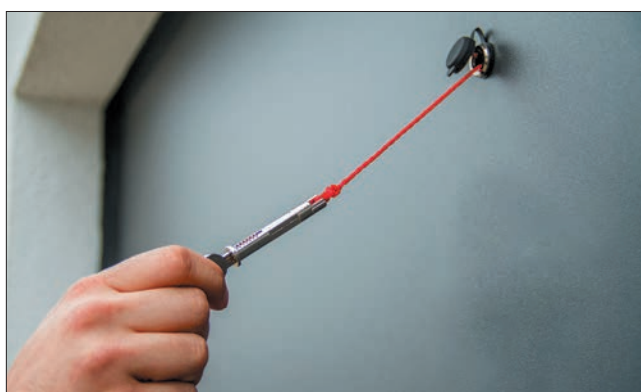
BIOMETRIC ACCESS CONTROL



Finger Scanner

Entrasys FD fingerprint scanner available for universal use, i.e. garage, front door, lighting etc. Encrypted, secure transmission between finger scanner and receiver

EMERGENCY RELEASE LOCK



Emergency release lock

An emergency release lock is recommended for garages without a second access. Thanks to the integrated emergency release system, the motor carriage can be engaged and disengaged in any position. This allows you to open your door without problems, even if there is a power failure.





Nachweis
der Dauerhaftigkeit von Torsion
Lebensdauer in Bewegungszyklen

ift
ROSENHEIM

Prüfvermerk
Nr.: 16-003226-PR01
(PR-001-03-04-01)

Antraggeber: **Sommer Antrieb- und Funktionstechnik GmbH**
Hans-Rückert-Str. 24-27
73209 Kirchheim
Baden-Württemberg

Beauftragter: **ibf Rosenheim**
22.02.2018

Prüfungsort: **ibf Rosenheim**
Prüfungstermin: **22.02.2018**

Prüfungsinhalt: **Garagentorsion 9001 CP46 2017***
Torsion: **2000 Nm x 2125 mm, 70 kg**
Zuglasten: **1150/17**
Stärke: **115/11,2-125**

Prüfungsergebnis: **Integrierte Kraftbegrenzung**
Dewill-Kraftausgleich und Antrieb

Prüfungsergebnis: **Bestanden**

Dauerhaftigkeit / Lebensdauer in Bewegungszyklen
Anzahl der Zyklen: 125.000

ibf Rosenheim
22.02.2018

Thomas Stehr, Dipl.-Ing. (FH)
Prüfungsführer

Günter Sommer, Dipl.-Ing. (FH)
Prüfungsausschuss
Vorsitzmann

**Quality that speaks for itself:
125,000 tested cycles***

* Applies to door-operator combination YOURDOOR X garage door system with S 9060 base*; with regular, correct maintenance (1 cycle = 1 door opening and 1 door closing operation).

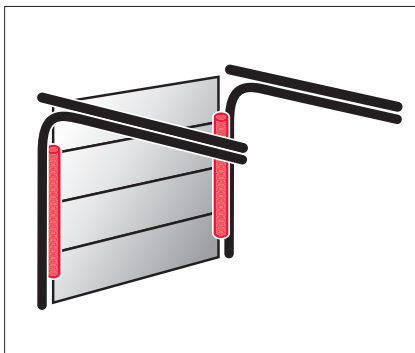
YOURDOOR X/F/R: THE RESIDENTIAL DOOR SYSTEM

A MODULAR SYSTEM WITH A UNIVERSALLY ADJUSTABLE RAIL SET



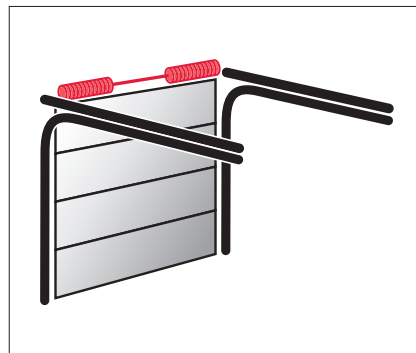
Private door system with tension springs: **YOURDOOR X**

Particularly in the renovation sector, there is often little installation space for the garage door. Our tension-spring door is the perfect solution, and with its covered springs, it also meets the highest visual requirements. (Lintel height 120 mm)



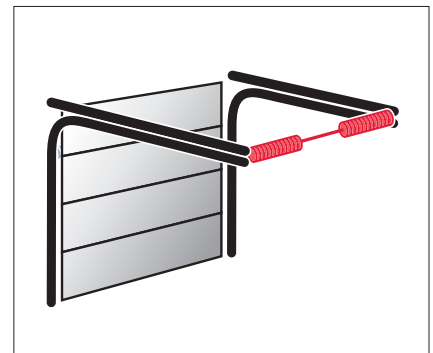
Private door system with front torsion springs: **YOURDOOR F**

This system is used for doors from a width of approx. 12 m upwards. (Lintel height 190 mm)



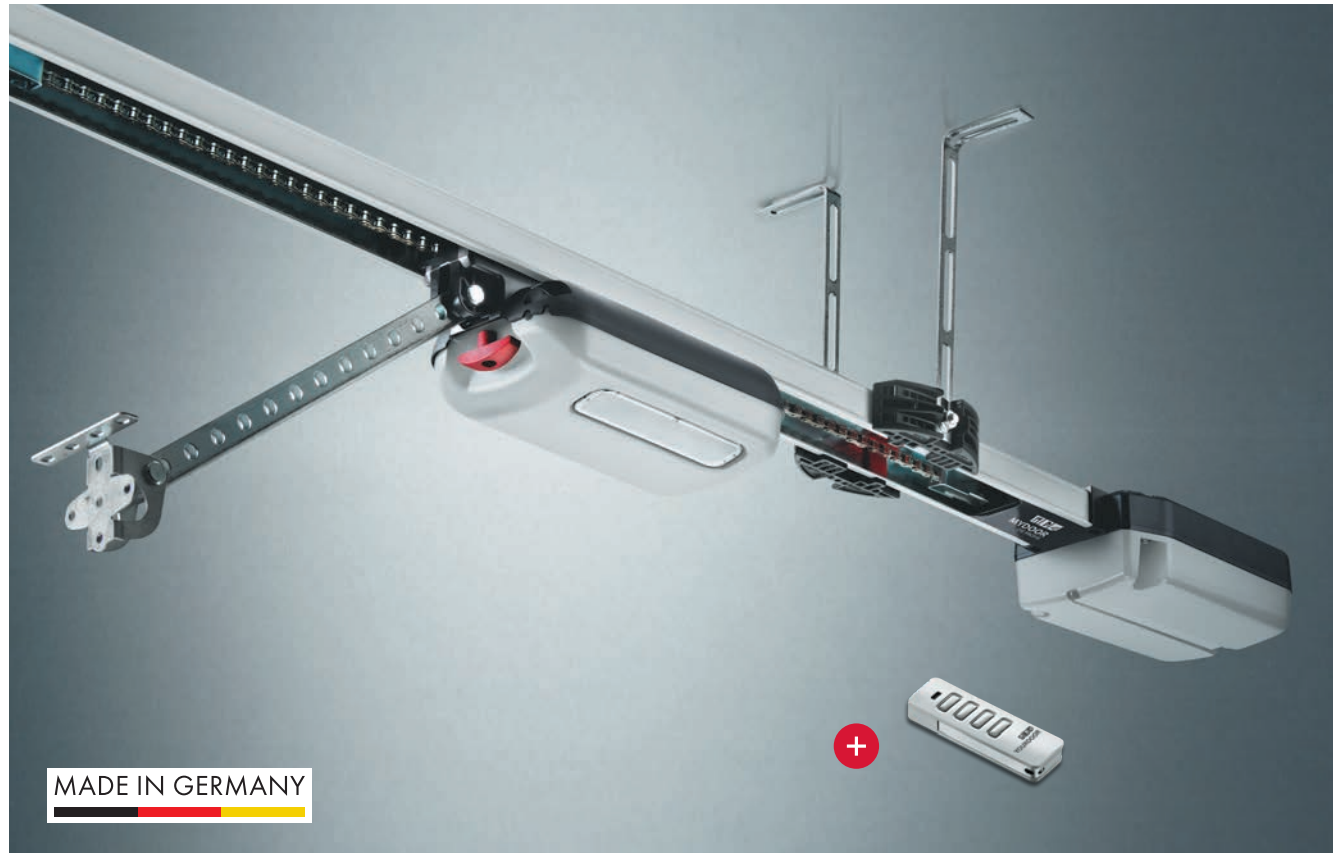
Private door system with rear torsion springs: **YOURDOOR R**

This type of fitting is used for large and heavy doors with little space required above the door opening (120 mm).



GARAGE DOOR OPERATOR base⁺

RETURN HOME IN COMFORT, WHATEVER THE WEATHER



Fast, safe and reliable

- The low-wear, robust and standard-compliant technology with its powerful, travelling motor ensures reliable operation and functionality for many years, with extremely low energy consumption. It comes with a 5-year manufacturer's warranty
- Intelligent, responsive control technology increases the service life of your door
- Highest possible degree of protection against accidents: Automatic obstacle detection for optimum safety — operator reverses if an obstacle is encountered; this ensures that people or vehicles will not be pinched or jammed.
- Optimised break-in protection: The operator can detect a break-in attempt, and it will automatically pull in the opposite direction, which creates counter pressure.

GARAGE DOOR OPERATOR pro⁺

CAN BE INSTALLED FLEXIBLY AND EXCELS THROUGH 2 FUNCTIONS

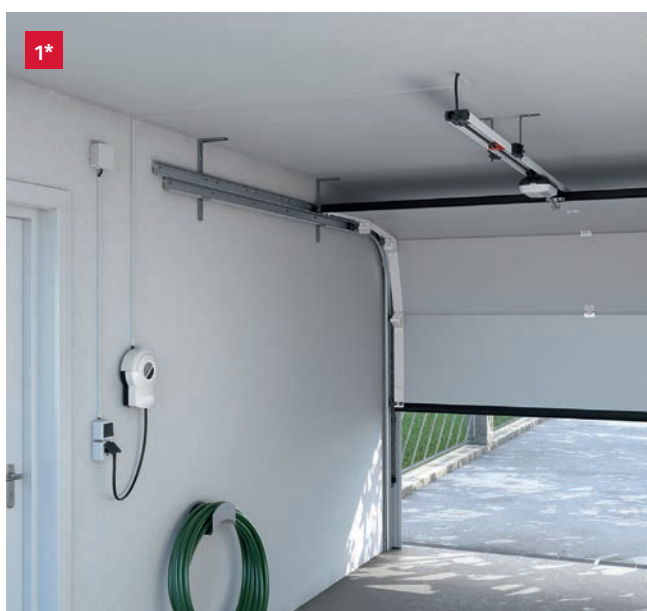


Flexibility

- Control unit housing can be installed flexibly, making complex electrical work unnecessary and saving you additional installation costs, because you can use existing power outlets in the garage

Functionality

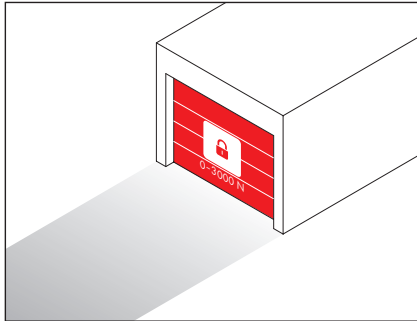
- Switch the light on/off and open the door conveniently from the control unit housing



* - images to depict positions of control unit only

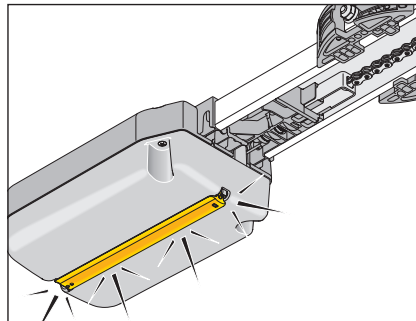
ACCESSORIES FOR GARAGE DOOR OPERATOR base⁺ and pro⁺

THE OPERATOR THAT ADAPTS TO SUIT YOUR WISHES



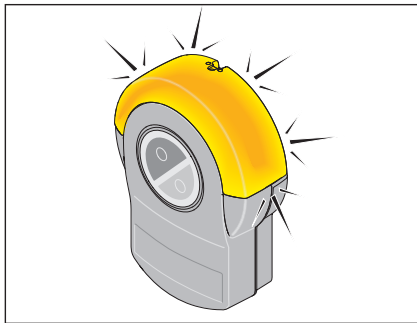
Lock

Magnetic locking mechanism which mechanically blocks the motor in any position up to an attack force of 300 kg, thereby improving the existing break-in protection.



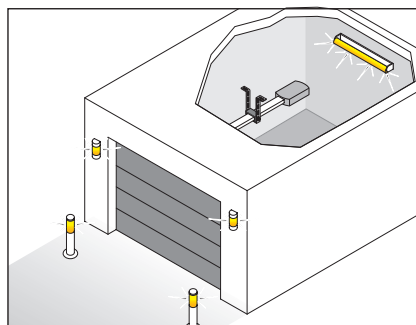
Lumi⁺

Additional LED lighting for the **ceiling control unit**. It is switched in parallel with the lighting in the motor carriage and can be switched on and off easily using the light function by means of a handheld transmitter. Makes additional garage lighting unnecessary.



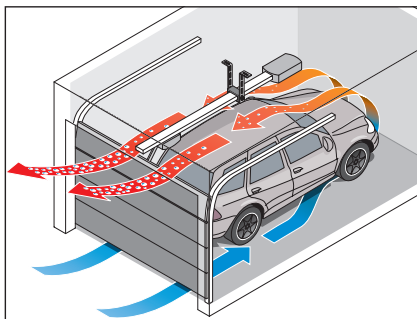
Lumi pro⁺

Additional LED lighting for the **wall control unit**. It is switched in parallel with the lighting in the motor carriage and can be easily switched on and off using the light function via a handheld transmitter.



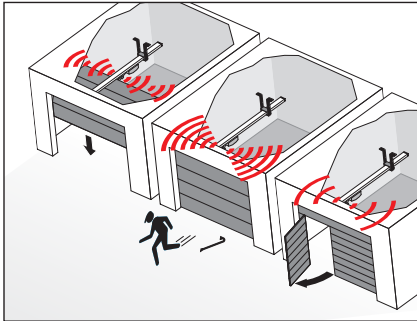
Relay

Additional relay for additional switching of a garage or courtyard light.



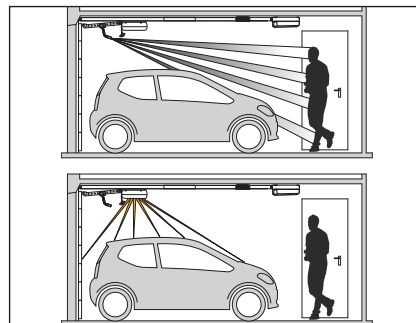
Senso

For recording temperature and air humidity in the garage. If necessary, the motor carriage automatically opens the door slightly, ensuring perfect air circulation. When the optimum value is reached, the door is closed, reducing the risk of mould formation.



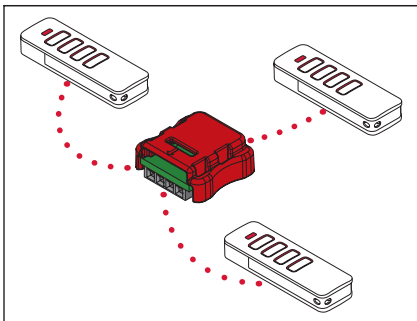
Buzzer

Three options:
The alarm siren recognises an attempted break-in and outputs a loud signal tone. The warning buzzer, on the other hand, outputs an acoustic signal during the closing process or when the wicket door is open, to alert persons in the door area to the danger.



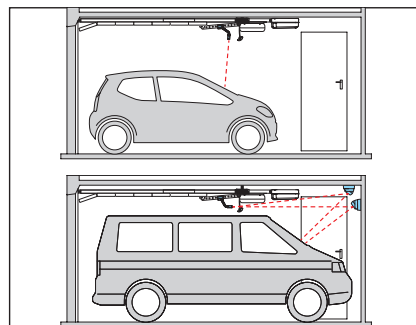
Motion

A passive infrared sensor detects invisible thermal radiation from moving bodies (people/animals etc.) and reacts. When you enter the garage, the lighting on the operator is automatically switched on (supplemental lighting/relay) so that you can move around safely. No more groping around for the light switch in the dark.



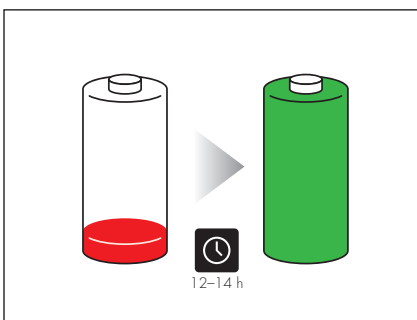
Memo

Used to expand the memory to 450 handheld transmitter commands. During service, saved data can be easily adopted for a new motor carriage. Ideal for multiple garages.



Laser

Gives optical assistance for perfect positioning of the vehicle in the garage. The laser is active during the opening process and the set lighting time.



Accu

Supplies energy to the operator for > 5 door cycles in the event of a power failure. No need to operate the emergency release and open the door by hand.

RADIO AND SMART HOME SOLUTIONS

CONVENIENCE AT THE PUSH OF A BUTTON



Pearl Vibe 4-command handheld transmitter

Option to query door-position/reception status. Confirms operation/commands with vibration. Good range and hop function.



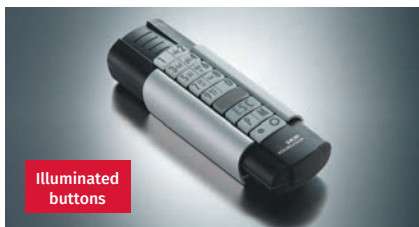
Pearl Twin 2-command handheld transmitter

Auto-repeat function; hop function; high-quality, modern design.



Slider Vibe 4-command handheld transmitter

Auto-repeat function; hop function; slider function; high-quality, modern design; query of door position; gives noticeable feedback of radio commands via vibration.



Telecodey+ 12-command handheld transmitter

Also ideal as radio code button; with illuminated buttons; weather-proof, suitable for indoor and outdoor use; feedback of radio commands via LED.



SOMweb

Smart Home solution; FM 868.95 MHz; WiFi. Operators can be controlled via smartphone, tablet or PC using Android or iOS Apple HomeKit. SOMweb App required, free from Google Play Store or App Store.



SOMtouch radio wall button

Battery-operated – no additional installation necessary; hop function; query of door position/receiver status without travel motion thanks to small button; feedback of radio commands via LED.



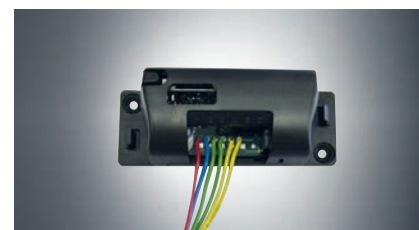
Wallstation 3-command radio interior wall switch

Offers three functions: Open/stop/close door; switch lighting on and off; locking function for radio, external buttons and ventilation function (holiday function).



SOMplug radio receiver in power socket housing (1-channel)

Simple retrofitting of external operators and easy changing of radio frequency; enables you to open existing doors with your YOURDOOR handheld transmitter.



Radio receiver module in housing (2-channel)

Suitable for products from other manufacturers and special applications; existing outdoor gate operators can be converted to the YOURDOOR radio system, allowing you to open these gates with your YOURDOOR handheld transmitter.

OVERVIEW OF FUNCTIONS

FUNCTION	Pearl Vibe	Pearl Twin	Slider Vibe	Telecody+	SOMtouch	Wallstation
Feedback vibration	●		●			
Status query of door	●*				●	
Auto-repeat function	●	●	●			
Hop function	●	●	●	●	●	
Slider function			●			
Illuminated buttons				●		
Feedback via LED					●	●
Holiday function						●

*only to be used with frame photocell



EXPLANATIONS ...

Status query of door: Confirm the current status of YOURDOOR from the couch or your deck chair in the garden. Requires the door to open or close which is why a frame photocell must be used.

Auto-repeat function: This innovative function allows you to give the start command from outside the radio range. The operator will then open the door immediately when you enter the reception range.

Hop function: The range is extended, as radio signals are forwarded from other YOURDOOR receivers.

Slider function: Slider function for protecting against unintentional actuation.

Holiday function: Button with which you can lock radio equipment, the external button and the ventilation function of the operator via Senso, keeps your home secure while you are absent or on holiday.

WE DELIVER THE QUALITY —
YOU ENJOY THE CONVENIENCE!



Swing gate operators



Sliding gate operator



Aluminium front doors



Radio technology/home automation

Further products and accessories are available on request.

We will be happy to advise you!

In cooperation with:



Raising Standards
Safety Assured



Member of the:

Find us in:

UK 04/19-1. Subject to misprints, errors and technical changes.



YOURDOOR
UNIT B3 | ELVINGTON INDUSTRIAL ESTATE | ELVINGTON | YORK | YO41 4AR
PHONE 0333 360 2900
mail@yourdooruk.co.uk | www.yourdooruk.co.uk

@YOURDOORUK

@YOURDOOR