



The SOMMER base+ garage door operator features our most advanced garage door control unit with various optimised speed profiles and the option of precision setting of the operating forces. The garage door operator also learns continuously and automatically and adjusts the door operation accordingly.



Accu Ready



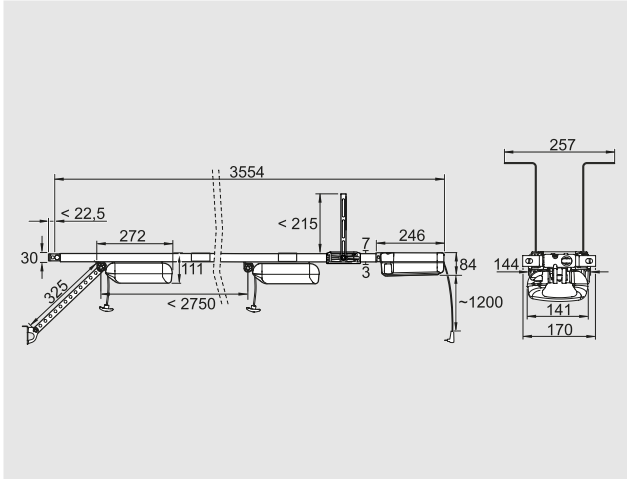
1W standby



Technical Data

Type	S 9060 base+	S 9080 base+	S 9110 base+
Max. pull and pushing force	600 N	800 N	1,100 N
Max. door width/door height sectional door	4,500 mm / 2,500 mm	6,000 mm / 2,500 mm	8,000 mm / 2,500 mm
Max. door width/door height one piece door	4,500 mm / 2,750 mm	6,000 mm / 2,750 mm	8,000 mm / 2,750 mm
Max. door width/door height up-and-over door	4,500 mm / 2,050 mm	6,000 mm / 2,050 mm	8,000 mm / 2,050 mm
Max. door width/door height side-opening sectional door/side-opening door	4,500 mm / 2,500 mm	5,750 mm / 2,750 mm	6,850 mm / 3,000 mm
Travel length (standard)	2,750 mm	2,750 mm	2,750 mm
Max. travel length extended	4,900 mm / 2× extensions (1,096 mm)	6,000 mm / 3× extensions (1,096 mm)	7,100 mm / 4× extensions (1,096 mm)
Max. door weight	120 kg	160 kg	200 kg
Max. running speed	240 mm/s	210 mm/s	180 mm/s
Power consumption (power-saving mode)	0.98 W	0.98 W	0.98 W
Duty cycle after S3 in %	ED 40% S3	ED 40% S3	ED 40% S3
Number of radio memory positions	40	40	40
Max. recommended no. of spaces	30	50	30

Dimension drawing



All dimensions are in millimetres; subject to misprints, errors and technical changes.

Compatibility

Product Name	Product Type	Compatible
SOMweb	Smart Home solution	with SOMMER base+ from year of manufacture 12/2018
Telecody Courier	Handheld transmitter	yes