



The intelligent sliding gate operators in the STArter S2 range are the ideal operators for small to medium-sized sliding gates. Their intelligent control unit offers a wide range of connection options. In addition to convenient operation via radio control system, they can be integrated into the Smart Home systems SOMweb and Delta Dore. Sliding gate operator STArter S2+ provides an added advantage when it comes to gate weight, movement range and speed.



Bidirectional radio system



128-bit AES encryption with Rollingcode



Disturbance-resistant radio signal



Supports service interface SOMlink S2

Technical Data

Type	STArter S2	STArter S2+
Max. gate weight	300 kg	400 kg
Max. travel path	6,000 mm	8,000 mm
Max. gate inclination		5 %
Max. opening speed	190 mm/s	240 mm/s
Max. torque	11 Nm	11 Nm
Power consumption (standby)	3 W	3 W
Rated voltage range 1	220-240 V	220-240 V
Rated frequency	50-60 Hz	50-60 Hz
Temperature min.	-20 °C	-20 °C
Temperature max.	50 °C	50 °C
Protection class	IP54	IP54
Radio system	SOMloq2	SOMloq2
Radio frequency	868.95 MHz	868.95 MHz
Radio memory locations	40	40



No active safety contact strip is required on the main closing edge for the STArter S2, a passive rubber profile is sufficient. Active safety contact strips must be used on the main and auxiliary closing edges with the STArter S2+.

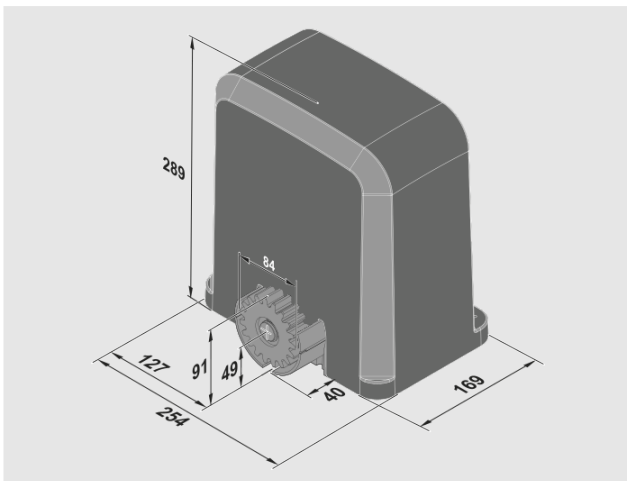
Connections

✓ AC output
✓ Button connection
✓ Buzzer slot
✓ DC output
✓ Memo slot
✓ Serial interface for Delta Dore X3D module or HomeLink radio receiver module
✓ Slot Relay/Output OC
✓ Terminal for safety contact strip
✓ Warning light connection

Functions

✓ Adjustable safety connection
✓ Automatic closing
✓ Dead-man function
✓ Defined OPEN/CLOSE, radio
✓ Pre-warning time adjustable
✓ Soft start/soft stop

Dimension drawing



All dimensions are in millimetres.

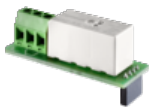
Compatibility

Product Name	Product Type	Compatible
SOMweb	Smart Home solution	yes
Telecody Courier	Handheld transmitter	yes

Downloads

	Filename	Filetype
	Brochure SOMMER-Brochure_STArter-S2_S13008-00002_DE-EN.pdf ▶	pdf

Matching accessories



Relay

Additional relay

7042V000