



The SOMMER pro+ garage door operator combines our most advanced garage door control unit with the flexibility of a separate control unit. There are three alternatives for separate installation of the control unit, so that existing sockets can be used. The integrated button in the control unit housing offers additional convenience in the garage.

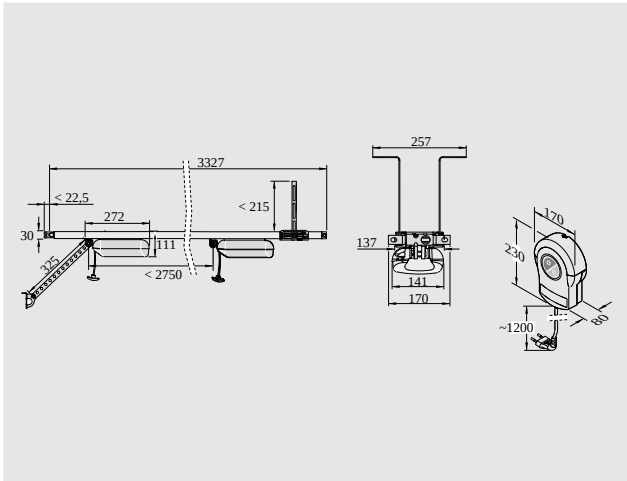
MADE IN GERMANY

- Bidirectional radio system
- 128-bit AES encryption with Rollingcode
- Disturbance-resistant radio signal
- Integrated LED lighting
- Connection for battery pack
- Energy-efficient consumption on standby
- Supports service interface SOMlink S2

Technical Data

Type	S 9060 pro+	S 9080 pro+	S 9110 pro+
Max. pull and pushing force	600 N	800 N	1,100 N
Max. door width / door height sectional door	4,500 mm / 2,500 mm	6,000 mm / 2,500 mm	8,000 mm / 2,500 mm
Max. door width / door height one piece door	4,500 mm / 2,750 mm	6,000 mm / 2,750 mm	8,000 mm / 2,750 mm
Max. door width / door height up-and-over door	4,500 mm / 2,050 mm	6,000 mm / 2,050 mm	8,000 mm / 2,050 mm
Max. door width / door height hinged double door	2,800 mm / 2,500 mm	2,800 mm / 2,750 mm	2,800 mm / 3,000 mm
Max. door width / door height side-opening sectional door / side-opening door	4,500 mm / 2,500 mm	5,750 mm / 2,750 mm	6,850 mm / 3,000 mm
Travel length (standard)	2,750 mm	2,750 mm	2,750 mm
Max. travel length extended	4,900 mm 2× extensions (1,096 mm)	6,000 mm 3× extensions (1,096 mm)	7,100 mm 4× extensions (1,096 mm)
Max. door weight	120 kg	160 kg	200 kg
Max. running speed	240 mm/s	210 mm/s	180 mm/s
Power consumption (power-saving mode)	0.98 W	0.98 W	0.98 W
Duty cycle	ED 40% S3	ED 40% S3	ED 40% S3
Number of radio memory positions	40	40	40
Max. recommended no. of spaces	30	50	30

Dimension drawing



All dimensions are in millimetres.

Compatibility

Product Name	Product Type	Compatible
SOMweb	Smart Home solution	with SOMMER pro+ from year of manufacture 12/2018
Telecodey Courier	Handheld transmitter	yes
	Transmitter management	with SOMMER pro+ from year of manufacture 08/2018

Matching accessories



Lock
 Locking magnet
 1651V000



Senso
 Humidity sensor
 10371



Memo
 Memory extension
 10373



Buzzer
 Alarm/warning buzzer
 7043V000



Laser
Parking position laser

10378



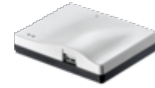
Motion
Motion detector

S10343-00001



Lumi pro+
Additional LED lighting

S10205-00001



SOMweb
Smart Home solution

S11342-00001