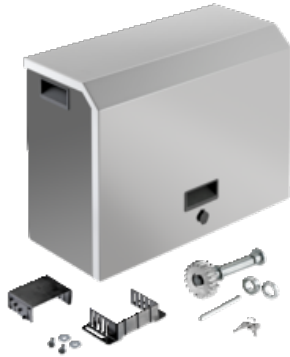


S13519-00001



The GIGAslide sliding gate operator is ideal both for residential properties and industrial door systems. With a movement range of up to 14 m and a gate weight of 1800 kg, the operator offers versatile usage options for a widely varied range of requirements. In use here is an industrial door operator with integrated frequency converter and the GIGAcontrol A automatic control unit. The electric motor ensures long life and low-vibration and low-noise operation in all installation positions.

#### GIGAslide 1800 single operator ►



Bidirectional radio system



128-bit AES encryption with Rollingcode



Disturbance-resistant radio signal

## Technical Data

Type	GIGAslide 1800 single operator
Max. gate weight	1,800 kg
Max. travel path	14,000 mm
Max. opening speed	240 mm/s
Max. torque	120 Nm
Power consumption (standby)	13 W
Rated voltage range 1	220-240 V
Rated frequency	50-60 Hz

Type	GIGAslide 1800 single operator
Temperature min.	-25 °C
Temperature max.	65 °C
Protection class	IP44
Radio system	SOMloq2
Radio frequency	868.95 MHz
Radio memory locations	40



Active safety contact strips must be used on the main and auxiliary closing edges. Sliding gates must not be operated together with the GIGAslide without active safety contact strips! In the case of gates with a weight exceeding 600 kg, operation is only permissible with steel racks.

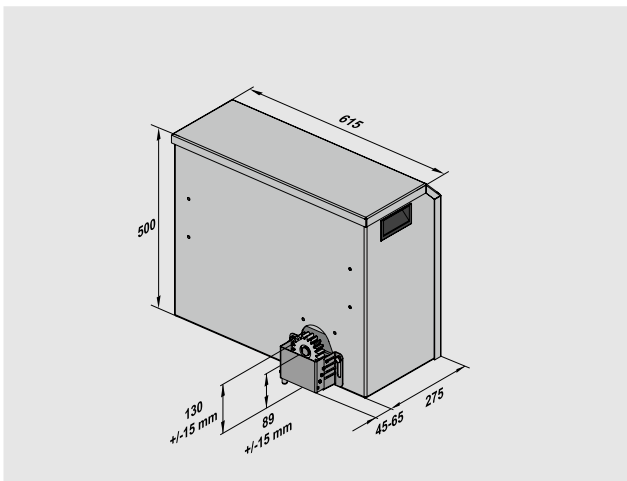
## Connections

- ✓ Button connection
- ✓ Connection of 2-wire photocell
- ✓ Connection of 4-wire photocell
- ✓ DC output
- ✓ Emergency OFF connection
- ✓ Emergency STOP connection
- ✓ Memo slot
- ✓ Potential-free relay contact
- ✓ Terminal for safety contact strip
- ✓ Warning light connection

## Functions

- ✓ Adjustable safety connection
- ✓ Automatic closing
- ✓ Dead-man function
- ✓ Defined OPEN/CLOSE, button
- ✓ Defined OPEN/CLOSE, radio
- ✓ Partial opening, radio
- ✓ Pre-warning time adjustable
- ✓ Pulse mode, button
- ✓ Pulse mode, radio
- ✓ Soft start/soft stop

## Dimension drawing



All dimensions are in millimetres.

## Product views



The height of the operator shaft of the GIGAslide can be adjusted by up to 30 mm.



Handles on the side of the sliding gate operator facilitate transport and handling on the building site.



Height adjustment of the pinion is integrated and carried out via a rotation point and a setscrew. The setting range is 30 mm.

S13519-00001



The shaft distance between pinion and operator can be adjusted in 4 steps (40/46.7/53.3/60 mm).



Both the spacing and the height of the flexible shield on the pinion are adjustable.



Horizontal control unit means that the control unit and the control elements are easily accessible.

## Downloads

	Filename	Filetype
	Assembly Instructions <a href="#">GIGAslide_S13884-00001_EN.pdf ▶</a>	pdf
	CadData <a href="#">CAD_GIGAslide.zip ▶</a>	zip

## Matching accessories



**Steel rack, galvanised, in a set**

S12496-00001



**Extraction tool for GIGAslide**

S13749-00000



**Safety Contact Strip 8,2kOhm**

S12385-00001



**End Cap**

S12386-00001



**End Cap**

S12387-00001



**junction box**

50046



**One-way photocell, can rotate 180°, 4-wire**

Photocell  
7029V000



**Memo**

Memory extension  
10373