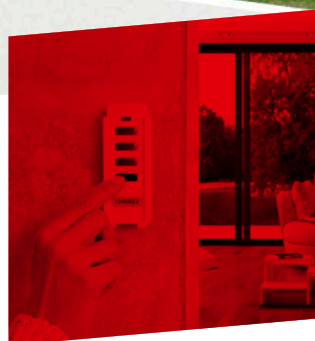




www.sommer.eu



International

Main catalogue

WEEE Directive

SOMMER Antriebs- und Funktechnik GmbH is registered under WEEE Reg. No. DE 55071946.

International

Main catalogue

This catalogue supersedes all other catalogues, price lists and agreements.

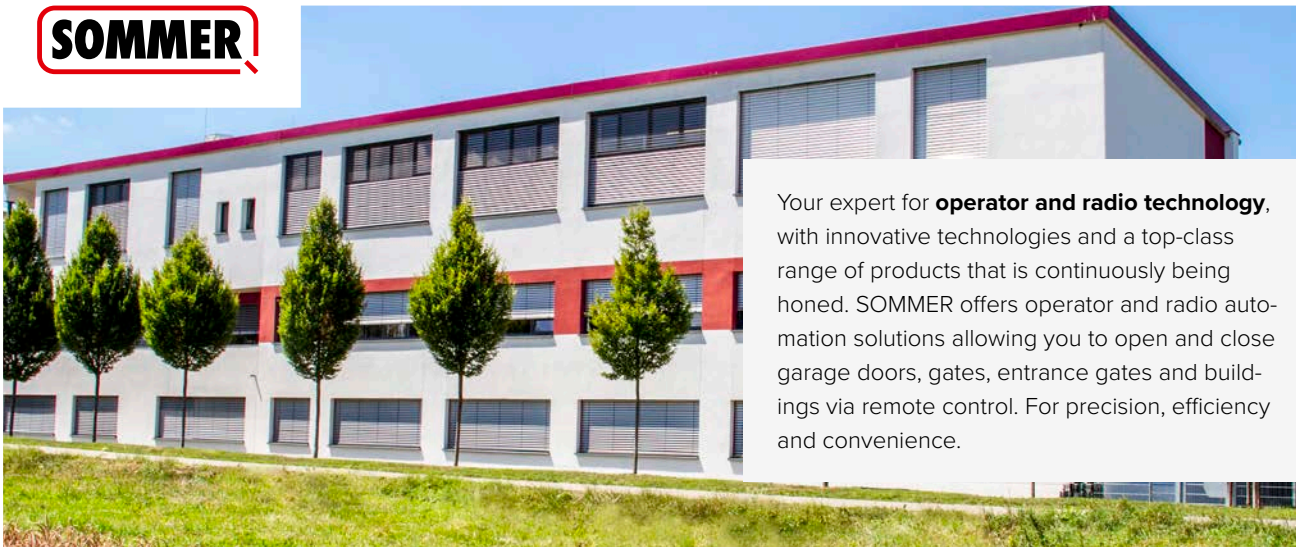
The General Terms and Conditions of Trade and Delivery of SOMMER Antriebs- und Funktechnik GmbH apply. You can find these at www.sommer.eu. You can also find the valid warranty terms there.

Repair and service charges are net. Prices of spare parts are not included in the dealer price list. You can find these at www.som4.me/etl.

Please note the ASR A1.7 Technical Regulations for Workplaces "Doors and gates" and the applicable European standards.

SOMMER Group

The SOMMER Group comprises the companies SOMMER Antriebs- und Funktechnik GmbH, Triebenbacher Betriebsgesellschaft mbH, APERTO Torantriebe GmbH, Groke Türen GmbH, metaku Metall- und Kunststoffbau GmbH, as well as DOCO International B.V. We are represented worldwide by our subsidiaries and agencies. Over 800 employees ensure that the SOMMER Group is successful and continues to expand.



Your expert for **operator and radio technology**, with innovative technologies and a top-class range of products that is continuously being honed. SOMMER offers operator and radio automation solutions allowing you to open and close garage doors, gates, entrance gates and buildings via remote control. For precision, efficiency and convenience.

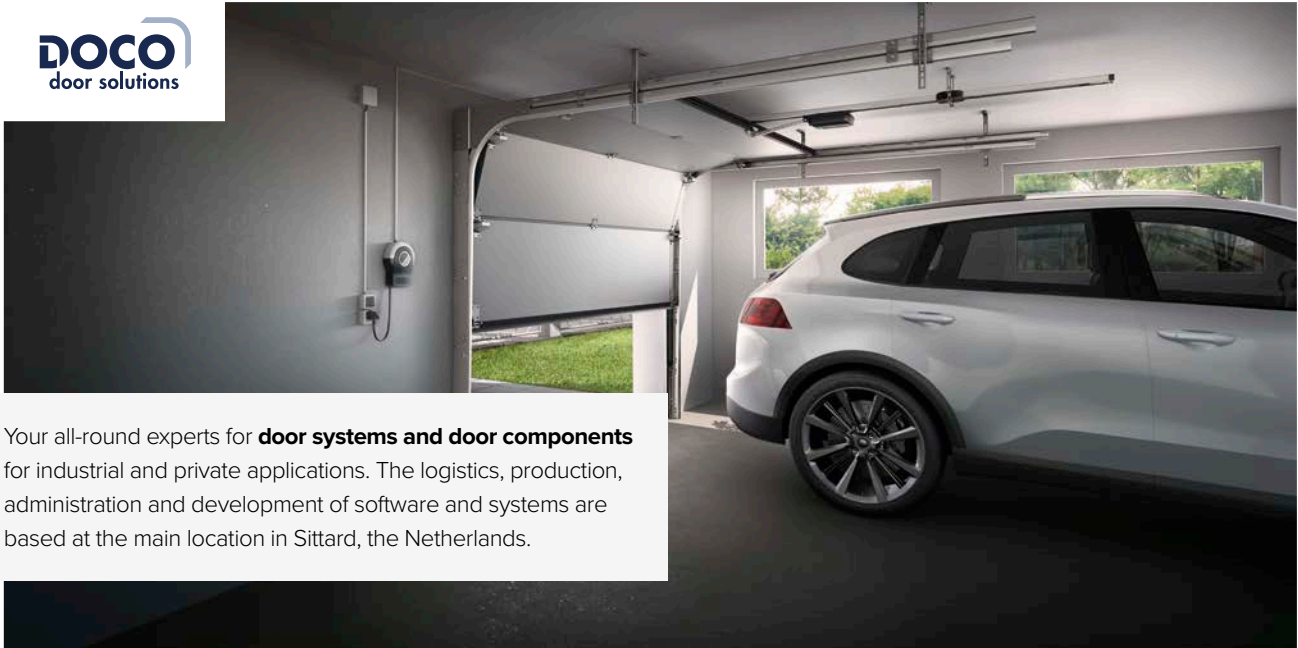


Your experts for **front doors made of aluminium**. These front doors are hard to beat when it comes to design, strength, security and durability. All Groke products are of a premium quality that impresses architects, planners and house owners alike.



Your specialists for the production of **front door panels**. In addition to panel construction, in particular the production of plastic panels, metaku is also a secondary brand for front doors with their own design.

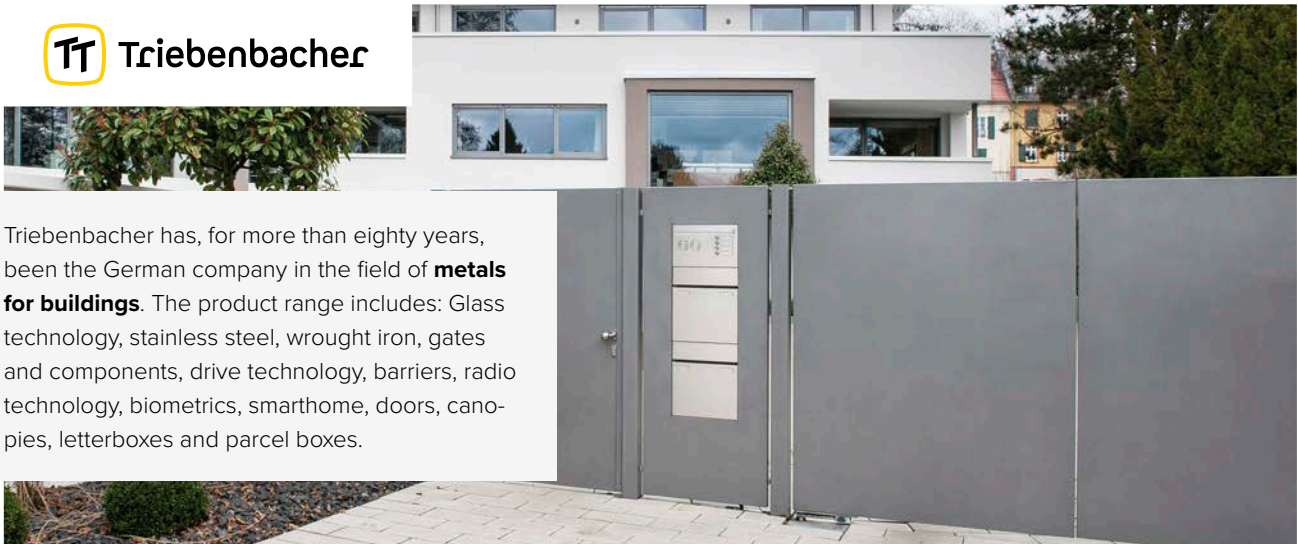




Your all-round experts for **door systems and door components** for industrial and private applications. The logistics, production, administration and development of software and systems are based at the main location in Sittard, the Netherlands.



The professionals for **door operators in the specialist DIY trade** – and, for many years now, a leading manufacturer of radio-controlled and automated concepts which are well-established in the DIY segment of the specialist trade.



Triebenbacher has, for more than eighty years, been the German company in the field of **metals for buildings**. The product range includes: Glass technology, stainless steel, wrought iron, gates and components, drive technology, barriers, radio technology, biometrics, smarthome, doors, canopies, letterboxes and parcel boxes.

Explanation of symbols



Bidirectional radio system enables active communication between transmitter and receiver.



Disturbance-resistant radio signal guarantees a large range and reliability.



Maximum protection against hackers thanks to 128-bit AES encryption with Rollingcode.



Collision resistant, sturdy and robust housing protects against mechanical stress.



Noticeable feedback of radio control system via vibration for confirmation of reception.



Energy-efficient consumption on standby.



Connection for battery pack possible. Supplies energy to the operator for up to 12 hours in the event of a power failure.



Integrated lighting for added convenience.



Durable, energy-saving and efficient lighting thanks to state-of-the-art LED technology.



Operators and radio receivers with this symbol are supported by the SOMlink S2 service interface.



Products with a biometric finger scanner allow keyless access.



The Notes symbol describes additional information and useful tips.



The Caution symbol indicates additional information and useful tips to which special attention should be paid.



The BAST quality seal is awarded to products whose properties exceed the statutory and normative requirements. An independent quality committee of the Bundesverband Antriebs- und Steuerungstechnik, Tore e.V. (BAST – federal drive and control technology association, gates) checks and monitors compliance with the implementing provisions of the BAST quality seal.



You can identify products with the SOMloq2 radio system by this mark.



Products with the designation rapido are speed-optimised.

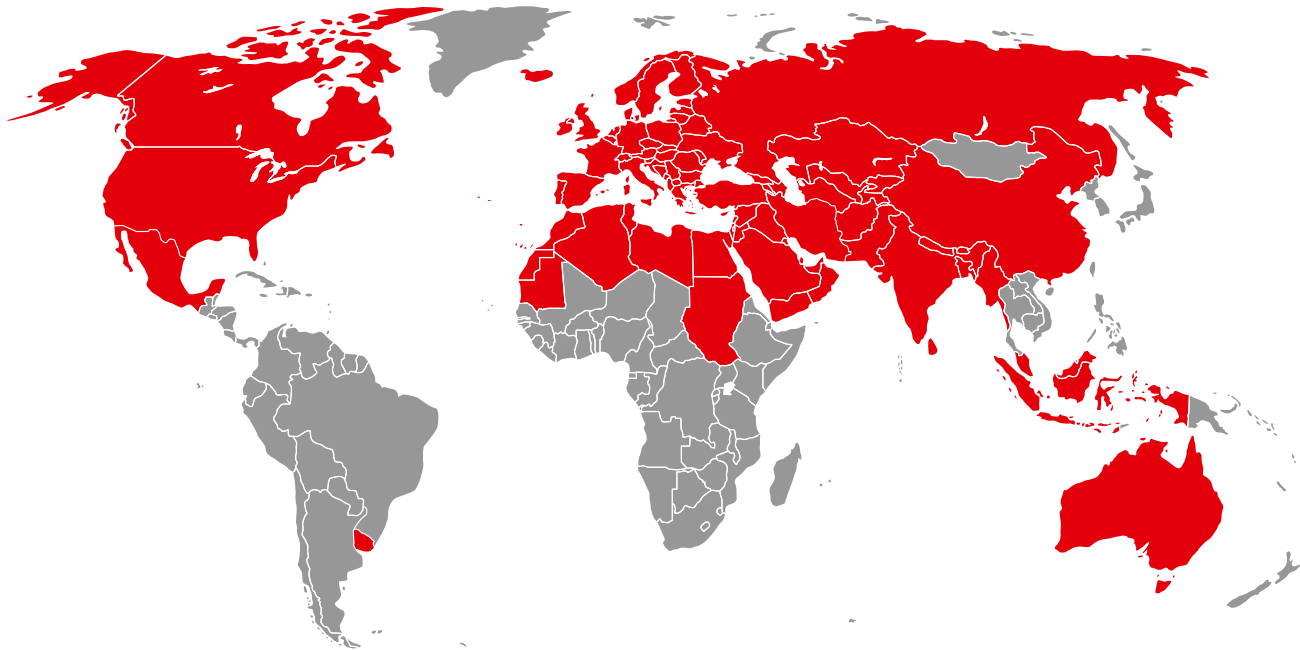


Garage door operators with the closing forces symbol have been tested and certified by ift Rosenheim to EN 12453.



The “Type-tested” certification represents a voluntary commitment to added security above and beyond the CE conformity test.

SOMMER worldwide



Afghanistan

Represented by Head Office
SOMMER Antriebs- und Funktechnik GmbH
info@sommer.eu

Albania

Sales Representative
Mr Georgi Kostov
g.kostov@sommer.eu
+359 879 46 83 93

Algeria

Sales Representative
Mr Gamal Eid
g.eid@sommer.eu
+49 151 180 443 19

Armenia

Sales Representative
Mr Arvydas Andriulionis
a.andriulionis@sommer.eu
+370 652 716 66

Australia

Global Access
Carrum Downs VIC 3201
sales@global-access.com.au
www.global-access.com.au

Austria

SOMMER Austria Ges.mbH
4111 Walding
office-at@sommer-group.eu
www.sommer.eu/at

Azerbaijan

MSB LLC
AZ 1039 Baku
info@az.sommer.eu
www.sommer.eu/az

Bahrain

Sales Representative
Mr Gamal Eid
g.eid@sommer.eu
+49 151 180 443 19

Bangladesh

Represented by Head Office
SOMMER Antriebs- und Funktechnik GmbH
info@sommer.eu

Belarus

Sales Representative
Mr Arvydas Andriulionis
a.andriulionis@sommer.eu
+370 652 716 66

Belgium

Seculux NV
3650 Dilsen-Stokkem
info@seculux.be
www.seculux.be

Bhutan

Represented by Head Office
SOMMER Antriebs- und Funktechnik GmbH
info@sommer.eu

Bosnia-Herzegovina

Sales Representative
Mr Georgi Kostov
g.kostov@sommer.eu
+359 879 46 83 93

Bulgaria

Sales Representative
Mr Georgi Kostov
g.kostov@sommer.eu
+359 879 46 83 93

Canada

Represented by subsidiary
SOMMER USA Inc.
info@sommer-usa.com

China

SOMMER Automation & Radio
(Shanghai) Co., Ltd.
Shanghai, Jiading District, Malu County
201801 China, People's Republic
info@sommer-china.com.cn
www.sommer-china.com.cn

Croatia

Sales Representative
Mr Georgi Kostov
g.kostov@sommer.eu
+359 879 46 83 93

Cyprus

Sales Representative
Mr Georgi Kostov
g.kostov@sommer.eu
+359 879 46 83 93

Czech Republic

TRIDO s.r.o.
67801 Blansko
trido@trido.cz
www.trido.cz

Denmark

Represented by subsidiary
SOMMER APERTO Scandinavia AB
info@aperto.se

Egypt

Sales Representative
Mr Gamal Eid
g.eid@sommer.eu
+49 151 180 443 19

Estonia

Sales Representative
Mr Arvydas Andriulionis
a.andriulionis@sommer.eu
+370 652 716 66

Finland

Represented by subsidiary
SOMMER APERTO Scandinavia AB
info@aperto.se

France

SOMMER France S.A.R.L.
67170 Brumath
info@fr.sommer.eu
www.sommer.eu/fr

Georgia

Sales Representative
Mr Arvydas Andriulionis
a.andriulionis@sommer.eu
+370 652 716 66

Germany (Head Office)

SOMMER Antriebs- und Funktechnik GmbH
73230 Kirchheim unter Teck
info@sommer.eu
www.sommer.eu

Great Britain

SOMMER DOCC
York YO41 4AR
info@uk.sommer.eu
www.sommer.eu/uk

Greece

Sales Representative
Mr Georgi Kostov
g.kostov@sommer.eu
+359 879 46 83 93

Hungary

SOMMER Kaputechnika Kft.
1214 Budapest
info@hu.sommer.eu
www.sommer.eu/hu

Iceland

Represented by subsidiary
SOMMER APERTO Scandinavia AB
info@aperto.se

India

Represented by Head Office
SOMMER Antriebs- und Funktechnik GmbH
info@sommer.eu

Indonesia

Represented by Head Office
SOMMER Antriebs- und Funktechnik GmbH
info@sommer.eu

Iraq

Sales Representative
Mr Gamal Eid
g.eid@sommer.eu
+49 151 180 443 19

Ireland

Represented by subsidiary
SOMMER DOCC
info@uk.sommer.eu

Italy

SOMMER Automazioni S.r.l.
38123 Trento TN
italia@sommer-group.eu
www.sommer.eu/it

Jordan

Sales Representative
Mr Gamal Eid
g.eid@sommer.eu
+49 151 180 443 19

Kazakhstan

Sales Representative
Mr Arvydas Andriulionis
a.andriulionis@sommer.eu
+370 652 716 66

Kuwait

Sales Representative
Mr Gamal Eid
g.eid@sommer.eu
+49 151 180 443 19

Kyrgyzstan

Sales Representative
Mr Arvydas Andriulionis
a.andriulionis@sommer.eu
+370 652 716 66

Latvia

Sales Representative
Mr Arvydas Andriulionis
a.andriulionis@sommer.eu
+370 652 716 66

Lebanon

Stouhi Steel Company
Beirut
stouhisteel@yahoo.com

Libya

Sales Representative
Mr Gamal Eid
g.eid@sommer.eu
+49 151 180 443 19

Liechtenstein

Represented by subsidiary
SOMMER Antriebs- und Funktechnik AG
schweiz@sommer-group.eu

Lithuania

Sales Representative
Mr Arvydas Andriulionis
a.andriulionis@sommer.eu
+370 652 716 66

Luxembourg

Represented by
Seculux NV
info@seculux.be

Macedonia

Sales Representative
Mr Georgi Kostov
g.kostov@sommer.eu
+359 879 46 83 93

Malaysia

Represented by Head Office
SOMMER Antriebs- und Funktechnik GmbH
info@sommer.eu

Malta

Represented by subsidiary
SOMMER Automazioni S.r.l.
italia@sommer-group.eu

Mauritania

Sales Representative
Mr Gamal Eid
g.eid@sommer.eu
+49 151 180 443 19

Mexico

Sales Representative
Mr Andy Guzman
a.guzman@sommer-usa.com
+1 619 214 05 09

Moldova

Sales Representative
Mr Arvydas Andriulionis
a.andriulionis@sommer.eu
+370 652 716 66

Montenegro

Sales Representative
Mr Georgi Kostov
g.kostov@sommer.eu
+359 879 46 83 93

Morocco

Sales Representative
Mr Gamal Eid
g.eid@sommer.eu
+49 151 180 443 19

Myanmar

Represented by Head Office
SOMMER Antriebs- und Funktechnik GmbH
info@sommer.eu

Nepal

Represented by Head Office
SOMMER Antriebs- und Funktechnik GmbH
info@sommer.eu

Netherlands

Represented by
Seculux NV
info@seculux.be

Norway

Represented by subsidiary
SOMMER APERTO Scandinavia AB
info@aperto.se

Oman

Sales Representative
Mr Gamal Eid
g.eid@sommer.eu
+49 151 180 443 19

Pakistan

Represented by Head Office
SOMMER Antriebs- und Funktechnik GmbH
info@sommer.eu

Poland

SOMMER Polska Sp. z o. o.
05-800 Pruszków
biuro@sommer-group.eu
www.sommer.eu/pl

Portugal

Represented by subsidiary
DOCOSOMMER Ibérica SLU
info@es.sommer.eu

Qatar

Sales Representative
Mr Gamal Eid
g.eid@sommer.eu
+49 151 180 443 19

Romania

MCA Grup
Popești-Leordeni, jud Ilfov 077160
office@mcagrup.ro
www.mcagrup.ro

Saudi Arabia

Sales Representative
Mr Gamal Eid
g.eid@sommer.eu
+49 151 180 443 19

Serbia

Sales Representative
Mr Georgi Kostov
g.kostov@sommer.eu
+359 879 46 83 93

Singapore

Represented by Head Office
SOMMER Antriebs- und Funktechnik GmbH
info@sommer.eu

Slovakia

Sales Representative
Mr Stanislav Papež
s.papez@sommer.eu
+420 724 53 04 40

Slovenia

Sales Representative
Mr Georgi Kostov
g.kostov@sommer.eu
+359 879 46 83 93

Spain

DOCOSOMMER Ibérica SLU
08530 La Garriga, Barcelona
pedidos@doco-sommer.com
www.sommer.eu/es

Sri Lanka

Represented by Head Office
SOMMER Antriebs- und Funktechnik GmbH
info@sommer.eu

Sudan

Sales Representative
Mr Gamal Eid
g.eid@sommer.eu
+49 151 180 443 19

Sweden

SOMMER APERTO Scandinavia AB
439 74 Fjärås
info@aperto.se
www.aperto.se
www.sommer.eu

Switzerland

SOMMER Antriebs- und Funktechnik AG
4658 Däniken
schweiz@sommer-group.eu
www.sommer.eu/ch

Syria

Sales Representative
Mr Gamal Eid
g.eid@sommer.eu
+49 151 180 443 19

Tajikistan

Sales Representative
Mr Arvydas Andriulionis
a.andriulionis@sommer.eu
+370 652 716 66

Turkey

Sales Representative
Mr Georgi Kostov
g.kostov@sommer.eu
+359 879 46 83 93

Turkmenistan

Sales Representative
Mr Arvydas Andriulionis
a.andriulionis@sommer.eu
+370 652 716 66

Ukraine

"Raduga-N" OOO
Odessa 65033
sommer@i.ua
www.rainbow.odessa.ua

United Arab Emirates

Sales Representative
Mr Gamal Eid
g.eid@sommer.eu
+49 151 180 443 19

Uruguay

Vastin S.A.
11800 Montevideo
www.bellohnos.com

USA

SOMMER USA Inc.
Charlotte NC, 28214
info@sommer-usa.com
www.sommer-usa.com

Uzbekistan

Sales Representative
Mr Arvydas Andriulionis
a.andriulionis@sommer.eu
+370 652 716 66

Contents

Garage door operators

Operators in comparison	
(SOMloq2 FM 868.95 MHz)	14
Operators in comparison	
(Somloq Rollingcode FM 868.8 MHz)	16
SOMMER base ⁺	18
SOMMER pro ⁺	22
sprint evolution	26
duo vision	30
duo rapido ⁺	34

Underground garage operators

Operators in comparison	40
SOMMER tiga	42
SOMMER tiga ⁺	46

Swing gate operators

Operators in comparison	52
twist 200 E/twist 200 EL	54
twist M/twist ML	62
twist 350	70
twist 350 rapido	74
twist XL	78
twist UG/twist UG ⁺	82
twist AM	88

Sliding gate operators

Operators in comparison	94
STArter S2	96
SP 900	102
S 900	106
RUNner	110
GIGAslide	116
DS 600/DS 1200	120

Roller door control unit

RDC Vision ⁺	126
-------------------------------	------------

Barriers

Barrier body	132
ASB aluminium	134
ASB steel	136
Booms	138

Parking space barrier

reservo/reservo ⁺	142
------------------------------------	------------

Tubular motors

Find the right tubular motor	146
A X0/1X/X5	148



Radio technology

Advantages	152
SOMloq2	154
Telecody Courier	154
Transmitter FM 868.95/868.8 MHz	156
Radio receiver FM 868.95 MHz	160
HomeLink radio receiver	164
Transmitter management	165
Somloq Rollingcode	167
Transmitter FM 868.8 MHz	167
Radio receiver FM 868.8 MHz	169
Transmitter FM 40.685 MHz	171
Transmitter AM 40.685 MHz (10-bit)	172

Smart Home

SOMweb	176
Telecody Courier	178
ismartgate	180
IP cameras	183
Modules	184

Access systems

ENTRAsys ⁺	188
ENTRAcode ⁺	194
ENTRApin ⁺	200
Wired	201

Accessories

General	204
System accessories	204
Pulse buttons	208
Photocell	213
Safety contact strips	218
Traffic/warning lights	224
Emergency power supply	228
Service interface	230
Installation aids	232
Garage door operators	233
Lighting	233
Button	234
Special fittings	235
Emergency release	239
Wicket door contacts	241
Additional locking mechanism	242
Rail unit accessories	243
Special accessories	247
Swing gate operators	248
General	248
Fittings for twist 200 E/EL, twist M/ML	251
Fittings for twist 350	256
Fittings for twist XL	258
Fittings for twist AM	262
Sliding gate operators	263
Barriers	267
Tubular motors	268
Access systems	271



Garage door operators





Garage door operators

Operators in comparison (SOMloq2 FM 868.95 MHz)	14
Operators in comparison (Somloq Rollingcode FM 868.8 MHz)	16
SOMMER base ⁺	18
SOMMER pro ⁺	22
sprint evolution	26
duo vision	30
duo rapido ⁺	34



Technical data and connection options on the SOMMER base⁺ and SOMMER pro⁺ motor carriages

Operator unit	S 9060	S 9080	S 9110
Max. pull and pushing force	600 N	800 N	1,100 N
Max. door width/door height sectional door	4,500 mm/2,500 mm	6,000 mm/2,500 mm	8,000 mm/2,500 mm
Max. door width/door height one piece door	4,500 mm/2,750 mm	6,000 mm/2,750 mm	8,000 mm/2,750 mm
Max. door width/door height up-and-over door	4,500 mm/2,050 mm	6,000 mm/2,050 mm	8,000 mm/2,050 mm
Max. door width/door height hinged double door ¹⁾	2,800 mm/2,500 mm	2,800 mm/2,750 mm	2,800 mm/3,000 mm
Max. door width/door height side-opening sectional door/side-opening door ²⁾	2,500 mm (4,500 mm)/ 2,500 mm	2,500 mm (5,750 mm)/ 2,750 mm	2,500 mm (6,850 mm)/ 3,000 mm
Travel length (standard)	2,750 mm	2,750 mm	2,750 mm
Max. travel length extended	4,900 mm 2× extensions (1,096 mm)	6,000 mm 3× extensions (1,096 mm)	7,100 mm 4× extensions (1,096 mm)
Max. door weight	120 kg	160 kg	200 kg
Max. running speed	240 mm/s	210 mm/s	180 mm/s
Power consumption (power-saving mode)	1 W	1 W	1 W
Duty cycle	DC 40 % S3	DC 40 % S3	DC 40 % S3
Number of radio memory positions	40	40	40
Max. recommended no. of spaces	30	50	30
Motor carriage			
Operator lighting LED	✓ (6 LEDs)		
Lock slot	✓		
Memo slot	✓ (Expands the radio memory to 450 handheld transmitter commands)		
Senso slot	✓		
Buzzer slot	✓		
Laser slot	✓		
Motion slot	✓		
OSE/8k2 connection	✓		
Wicket door contact connection	✓		
Serial interface for Delta Dore X3D module or HomeLink radio receiver module	✓		
Output 12 V, 100 mA	✓		

1) Only possible with SOMMER pro⁺! Separate hinged double door fitting required. 2) Side-opening sectional doors and side-opening doors wider than 2,500 mm can be implemented with the corresponding number of extensions.



Wall or ceiling control unit connection options

Type	SOMMER base ⁺	SOMMER pro ⁺
Ceiling control unit	✓	–
Wall control unit	–	✓
Battery pack slot	✓	✓
Keypad slot for foil keypad pro ⁺ /Conex	✓	✓
Slot Relay/Output OC	✓	✓
Light slot for additional LED lighting Lumi ⁺ /Lumi pro ⁺	✓	✓
Pulse button connection	✓	✓
Button 2 connection (partial opening)	✓	✓
Button connection (interior request side)	–	–
Button connection (exterior request side)	–	–
Warning light connection	✓ (24 V / max. 25 W)	✓ (24 V / max. 25 W)
2-/4-wire photocell connection; door CLOSE; DC 24 V	✓	✓
4-wire photocell connection; door OPEN; DC 24 V	–	–
OSE/8k2 connection; door CLOSE	–	–
OSE/8k2 connection; door OPEN	–	–
Red traffic light connection; interior/exterior; 24 V/7 W	–	–
Red-green traffic light connection; interior/exterior; 24 V/7 W	–	–
Memo tiga slot	–	–
Connection for MUFU1 multifunction relay	–	–
Connection for MUFU2 multifunction relay	–	–
Safety connection (e.g. for emergency stop)	–	–
Alarm connection (potential-free NO contact of a fire alarm system)	–	–
Timer contact connection (interior request side)	–	–
Timer contact connection (exterior request side)	–	–
Induction loop connection (potential-free contact of a separate evaluation unit)	–	–
Output DC 24 V, 100 mA	✓	✓
Output DC 24 V, 300 mA	–	–



Type	sprint evolution	duo vision 500	
Max. pull and pushing force	550 N	500 N	
Max. door width/door height sectional door			
With travel length 2,600 mm	4,000 mm / 2,350 mm	3,500 mm / 2,350 mm	
With travel length 3,000 mm	–	3,500 mm / 2,750 mm	
With travel length 3,400 mm	–	3,500 mm / 3,150 mm	
Max. door width/door height one piece door			
With travel length 2,600 mm	4,000 mm / 2,600 mm	3,500 mm / 2,600 mm	
With travel length 3,000 mm	–	3,500 mm / 3,000 mm	
With travel length 3,400 mm	–	3,500 mm / 3,400 mm	
Max. door width/door height up-and-over door			
With travel length 2,600 mm	3,500 mm / 1,900 mm	–	
With travel length 3,000 mm	–	–	
With travel length 3,400 mm	–	–	
Max. door width/door height hinged double door	2,800 mm / 2,800 mm	–	
Max. door width/door height side-opening sectional door/side-opening door			
With travel length 2,600 mm	2,350 mm / 2,300 mm	2,350 mm / 2,300 mm	
With travel length 3,000 mm	–	2,750 mm / 2,300 mm	
With travel length 3,400 mm	–	3,150 mm / 2,300 mm	
Standard travel length	2,600 mm	2,600 mm	
Extendable travel length	✓	✓	
Max. speed	160 mm/s	150 mm/s	
Power consumption (standby)	7 W	7 W	
Duty cycle	DC 15 % S3	DC 15 % S3	
Emergency release from the inside, incl. Safety Lock System (SLS)	✓	✓	
Motor safety device via microprocessor (power- and temperature-monitored)	✓	✓	
Energy-saving ring transformer	–	–	
Power supply	AC 230 V (50 Hz)	AC 230 V (50 Hz)	
Pluggable motor control unit	✓	✓	
Accident prevention by means of electronically-regulated force measurement with DPS (Dynamic Power System)	✓	✓	
Connection for warning light	✓	✓	
24 V output (regulated 0.1 A)	✓	✓	
Pre-warning time can be selected	✓	✓	
Backjump can be selected	✓	✓	
Controlled soft run in ramp form without power loss	✓	✓	
Safety connection for normally closed contact	✓	✓	
Function of the safety connection can be set	✓	✓	
Connection for wicket door safety device directly on motor track carriage	✓	✓	
TorMinal connection	✓	✓	
Cycle counter	■	■	
Defined direction of movement activation (OPEN/CLOSE)	✓	✓	
Adjustable partial opening of the door	✓	✓	
Door status display	✓	✓	
Number of radio channels	2	2	
Number of radio memory positions	112	112	
Number of pulse inputs	1/2 ▲	1/2 ▲	
Number of safety inputs	1	1	
Evaluation 2-wire photocell	–	–	
Automatic closing function, adjustable	–	–	



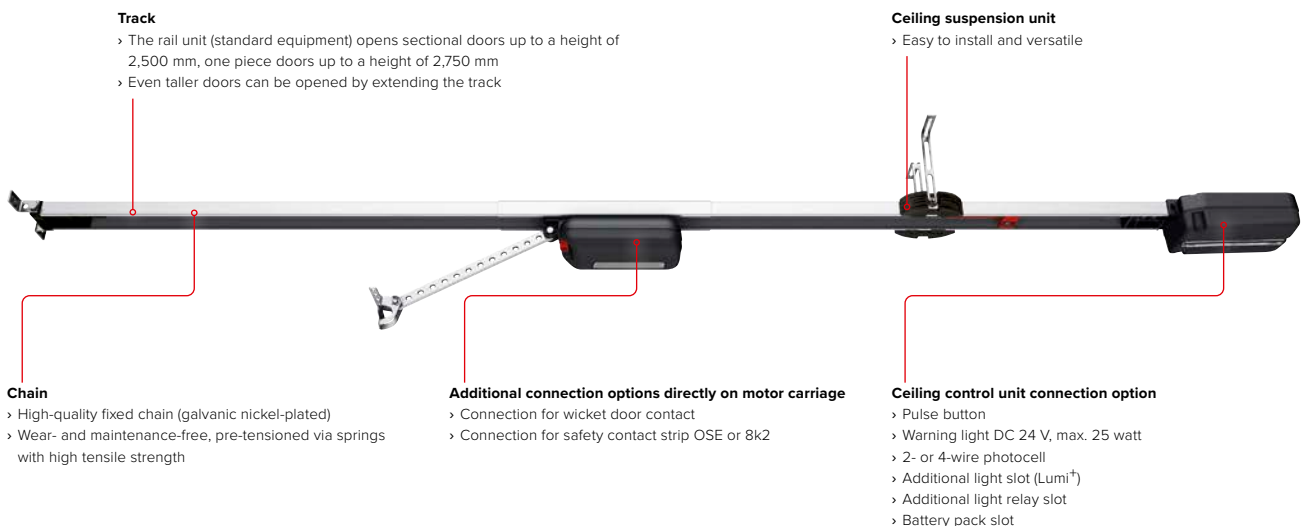
	duo vision 650	duo vision 800	duo rapido 650 ⁺
	650 N	800 N	650 N
	5,000 mm/2,350 mm 5,000 mm/2,750 mm 5,000 mm/3,150 mm	5,500 mm/2,350 mm 5,500 mm/2,750 mm 5,500 mm/3,150 mm	5,000 mm/2,350 mm 5,000 mm/2,750 mm 5,000 mm/3,150 mm
	5,000 mm/2,600 mm 5,000 mm/3,000 mm 5,000 mm/3,400 mm	5,500 mm/2,600 mm 5,500 mm/3,000 mm 5,500 mm/3,400 mm	– – –
	4,000 mm/1,900 mm 4,000 mm/2,300 mm 4,000 mm/2,700 mm	4,500 mm/1,900 mm 4,500 mm/2,300 mm 4,500 mm/2,700 mm	– – –
	2,800 mm/2,800 mm	2,800 mm/2,800 mm	–
	2,350 mm/3,000 mm 2,750 mm/3,000 mm 3,150 mm/3,000 mm	2,350 mm/3,000 mm 2,750 mm/3,000 mm 3,150 mm/3,000 mm	2,350 mm/3,000 mm 2,750 mm/3,000 mm 3,150 mm/3,000 mm
	2,600 mm	2,600 mm	2,600 mm
	✓	✓	✓
	180 mm/s	130 mm/s	240 mm/s
	2 W	2 W	2 W
	DC 15 % S3	DC 15 % S3	DC 15 % S3
	✓	✓	✓
	✓	✓	✓
	✓	✓	✓
	AC 230 V (50 Hz)	AC 230 V (50 Hz)	AC 230 V (50 Hz)
	✓	✓	✓
	✓	✓	✓
	✓	✓	✓
	✓	✓	✓
	✓	✓	✓
	✓	✓	✓
	✓	✓	✓
	✓	✓	✓
	✓	✓	✓
	✓	✓	✓
	■	■	■
	✓	✓	✓
	✓	✓	✓
	✓	✓	✓
	2	2	2
	112	112	112
	1/2 ▲	1/2 ▲	1/2 ▲
	1	1	1
	–	–	✓
	–	–	✓



SOMMER base⁺

Intelligent garage door operator

The SOMMER base⁺ garage door operator features our most advanced garage door control unit with various optimised speed profiles and the option of precision setting of the operating forces. The garage door operator also learns continuously and automatically and adjusts the door operation accordingly.





Quality

- › Universal operator for sectional doors, overhead doors, one piece doors, up-and-over doors¹⁾ and side-opening sectional doors
- › Integrated LED technology: durable, energy-saving and efficient lighting
- › Saves power: <1 watt standby
- › Made in Germany

Safety

- › Motor with high self-locking and active counter-pressure in all positions in the event of an attempted break-in
- › Connection option for battery pack for emergency operation in the event of a power failure
- › Optional Lock locking magnet for additional protection against break-ins. Locks in any position, even during ventilation function, partial opening and door OPEN end position
- › Thanks to the integrated emergency release, the motor carriage can be engaged and disengaged in any position
- › Bidirectional, secure radio system SOMloq2 thanks to 128-bit AES encryption

MADE IN GERMANY



Flexibility

- › Numerous accessories for expansion, (e.g. Memo memory extension, Senso humidity sensor, Lock locking magnet, Lumi⁺ additional LED lighting)
- › Motor carriage can be removed without disassembling the rail
- › Easy shortening or lengthening of the rail

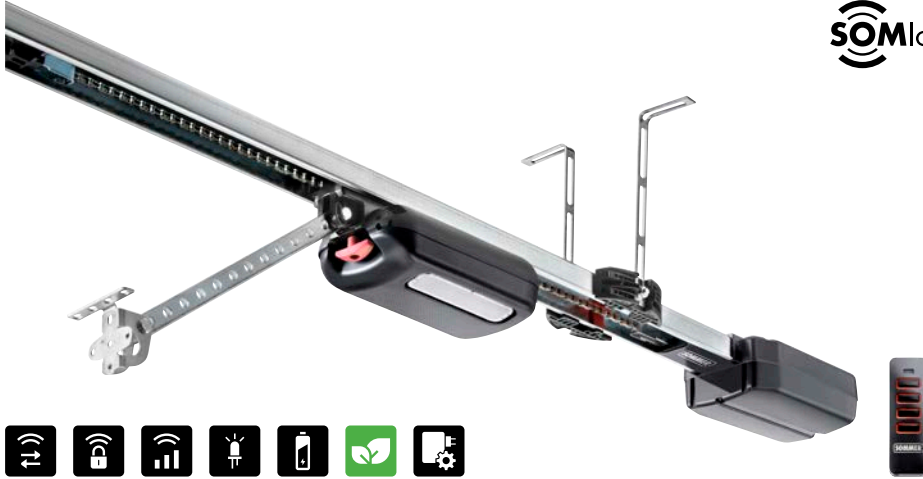
Intelligence

- › Automatic learning process: self-learning force curve with continual adjustment, e.g. summer/winter mode
- › Optimised speed profiles for quick opening and secure closing
- › Operation compliant with standards
- › Automatic calibration of door operation through direct entry of measured operating forces
- › Pre-selectable door types via DIP switch
- › Active braking for moving doors
- › Numerous setting and querying options via SOMlink S2
- › Gear-saving soft start and soft stop
- › Automatic end position detection in door CLOSE when programming, the closing pressure can also be individually adapted to the structural conditions
- › Serial interface for the Delta Dore X3D module or HomeLink radio receiver module



The modular system structure makes it possible to expand the garage door operator with countless accessories. All accessories are easy to install, as the slots are colour-coded and labelled.

¹⁾ Special fitting required



Accu Ready 1 W standby

SOMMER base⁺

- > Motor carriage with integrated radio receiver (FM 868.95 MHz SOMloq2, 40 radio memory positions)
- > LED lighting in the motor carriage
- > Pre-programmed Pearl Vibe 4-command handheld transmitter (# 4019V000) with noticeable feedback of radio commands via vibration
- > 3-piece rail, motor carriage, ceiling control unit, ceiling suspension unit, attachment to header, push arm, door bracket and mounting material



S 9060 base⁺

- > 600 N pull and pushing force

8700V000

S 9080 base⁺

- > 800 N pull and pushing force

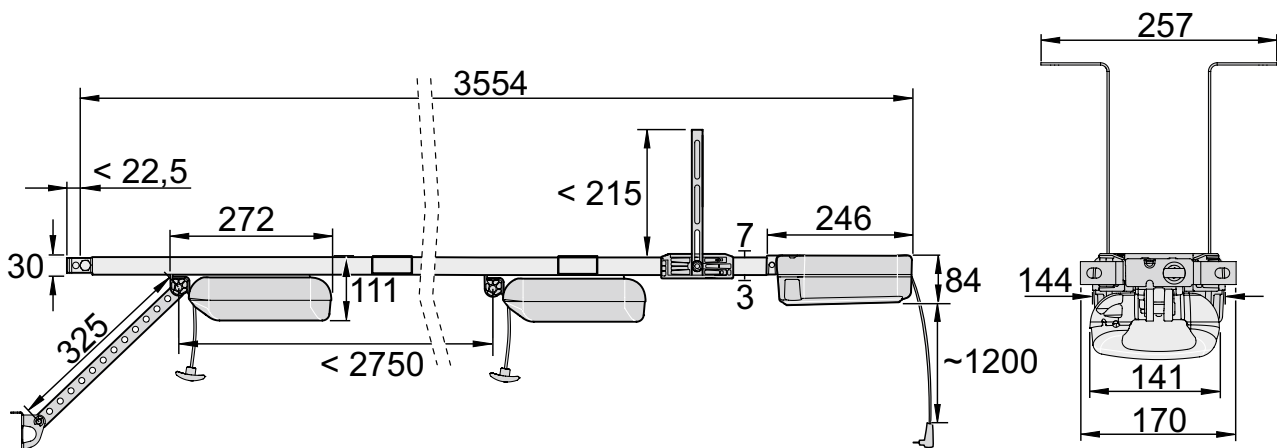
8800V000

S 9110 base⁺

- > 1,100 N pull and pushing force

8500V000

Dimension drawing





Technical data

Type	S 9060 base ⁺	S 9080 base ⁺	S 9110 base ⁺
Max. pull and pushing force	600N	800 N	1,100 N
Max. door width/door height sectional door	4,500 mm / 2,500 mm	6,000 mm / 2,500 mm	8,000 mm / 2,500 mm
Max. door width/door height one piece door	4,500 mm / 2,750 mm	6,000 mm / 2,750 mm	8,000 mm / 2,750 mm
Max. door width/door height up-and-over door	4,500 mm / 2,050 mm	6,000 mm / 2,050 mm	8,000 mm / 2,050 mm
Max. door width/door height side-opening sectional door/ side-opening door	2,500 mm (4,500 mm) / 2,500 mm	2,500 mm (5,750 mm) / 2,750 mm	2,500 mm (6,850 mm) / 3,000 mm
Travel length (standard)	2,750 mm	2,750 mm	2,750 mm
Max. travel length extended	4,900 mm 2× extensions (1,096 mm)	6,000 mm 3 x extensions (1,096 mm)	7,100 mm 4× extensions (1,096 mm)
Max. gate weight	120 kg	160 kg	200 kg
Max. running speed	240 mm/s	210 mm/s	180 mm/s
Power consumption (power-saving mode)	1 W	1 W	1 W
Duty cycle	DC 40 % S3	DC 40 % S3	DC 40 % S3
Number of radio memory positions	40	40	40
Max. recommended no. of spaces	30	50	30

Matching accessories



Lock
Locking magnet
1651V000
Page 204



Senso
Humidity sensor
10371
Page 204



Memo
Memory extension
10373
Page 204



Buzzer
Alarm/warning buzzer
7043V000
Page 205



Laser
park position laser
10378
Page 205



Motion
Motion detector
S10343-00001
Page 205



Lumi⁺
Additional LED lighting
7041V000
Page 206



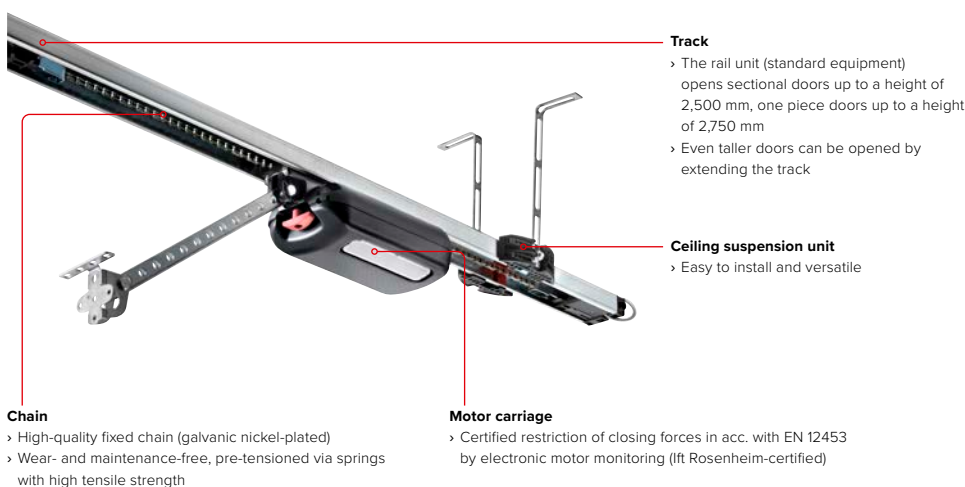
SOMweb
Smart Home solution
S11342-00001
Page 177



SOMMER pro⁺

Intelligent garage door operator with separate control unit

The SOMMER pro⁺ garage door operator combines our most advanced garage door control unit with the flexibility of a separate control unit. There are three alternatives for separate installation of the control unit, so that existing sockets can be used. The integrated button in the control unit housing offers additional convenience in the garage.



The control unit can be mounted at the rear, at the front or on the ceiling.



Quality

- › Universal operator for sectional doors, overhead doors, one piece doors, up-and-over doors¹⁾, hinged double doors¹⁾ and side-sectional doors
- › Integrated LED technology: durable, energy-saving and efficient lighting
- › Saves power: <1 watt standby
- › Made in Germany

Versatility

- › Numerous accessories for expansion, (e.g. Memo memory extension, Senso humidity sensor, Lock locking magnet, Lumi pro⁺ additional LED lighting)
- › 2 integrated control buttons in the control unit housing for activating the door and the lighting/partial opening function or “Defined opening” and “Defined closing”
- › Additional connection options directly on the motor carriage (wicket door contact and safety contact strip OSE or 8k2)
- › Universal power supply to the rail (can either be from the front or the rear)
- › Motor carriage can be removed without disassembling the rail
- › Short cable runs with wall mounting for external accessories (photocell, warning light, external buttons, ...)

Flexibility

- › Separate control unit housing for installing on the wall or ceiling, depending on your requirements. The existing power outlet in the garage is optimally suited for the power supply.
- › When installing the separate control unit housing on the wall, the interior push-buttons are a convenient distance from the exit door
- › The control unit housing, which can be installed separately, makes an additional power socket and complex electrical work unnecessary

Safety

- › Motor with high self-locking and active counter-pressure in all positions in the event of an attempted break-in
- › Connection option for battery pack for emergency operation in the event of a power failure
- › Optional Lock locking magnet for additional protection against break-ins. Locks in any position, even during ventilation function, partial opening and door OPEN end position
- › Thanks to the integrated emergency release, the motor carriage can be engaged and disengaged in any position
- › Bidirectional, secure radio system SOMloq2 thanks to 128-bit AES encryption

Intelligence

- › Automatic learning process: self-learning force curve with continual adjustment, e.g. summer/winter mode
- › Optimised speed profiles for quick opening and secure closing
- › Operation compliant with standards
- › Automatic calibration of door operation through direct entry of measured operating forces
- › Pre-selectable door types via DIP switch
- › Active braking for moving doors
- › Numerous setting and querying options via SOMlink S2
- › Gear-saving soft start and soft stop
- › Automatic end position detection in door CLOSE when programming, the closing pressure can also be individually adapted to the structural conditions
- › Serial interface for the Delta Dore X3D module or HomeLink radio receiver module

MADE IN GERMANY



¹⁾ Special fitting required



Accu Ready 1 W standby



SOMMER pro⁺

- > Motor carriage with integrated radio receiver (FM 868.95 MHz SOMloq2, 40 radio memory positions)
- > Control unit housing with two integrated interior push-buttons
- > LED lighting in the motor carriage
- > Pre-programmed Pearl Vibe 4-command handheld transmitter (# 4019V000) with noticeable feedback of radio commands via vibration
- > 3-piece rail, motor carriage, control unit housing, ceiling suspension unit, attachment to header, push arm, door bracket and mounting material



S 9060 pro⁺

- > 600 N pull and pushing force

S10154-00001

S 9080 pro⁺

- > 800 N pull and pushing force

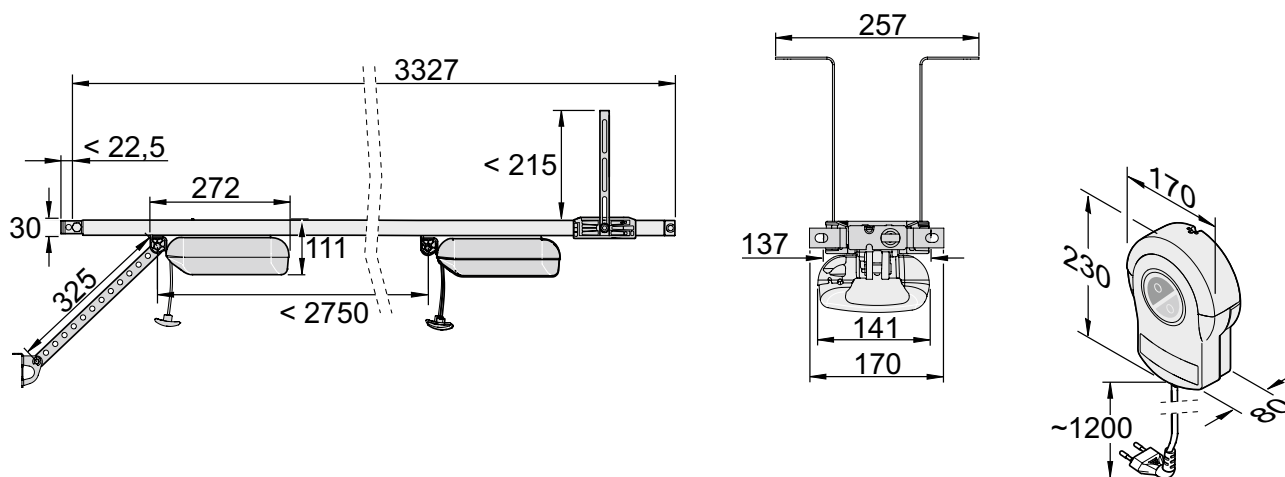
S10155-00001

S 9110 pro⁺

- > 1,100 N pull and pushing force

S10156-00001

Dimension drawing





Technical data

Type	S 9060 pro ⁺	S 9080 pro ⁺	S 9110 pro ⁺
Max. pull and pushing force	600N	800 N	1,100 N
Max. door width/door height sectional door	4,500 mm / 2,500 mm	6,000 mm / 2,500 mm	8,000 mm / 2,500 mm
Max. door width/door height one piece door	4,500 mm / 2,750 mm	6,000 mm / 2,750 mm	8,000 mm / 2,750 mm
Max. door width/door height up-and-over door	4,500 mm / 2,050 mm	6,000 mm / 2,050 mm	8,000 mm / 2,050 mm
Max. door width/door height hinged double door	2,800 mm / 2,500 mm	2,800 mm / 2,750 mm	2,800 mm / 3,000 mm
Max. door width/door height side-opening sectional door/ side-opening door	2,500 mm (4,500 mm) / 2,500 mm	2,500 mm (5,750 mm) / 2,750 mm	2,500 mm (6,850 mm) / 3,000 mm
Travel length (standard)	2,750 mm	2,750 mm	2,750 mm
Max. travel length extended	4,900 mm 2× extensions (1,096 mm)	6,000 mm 3 x extensions (1,096 mm)	7,100 mm 4× extensions (1,096 mm)
Max. door weight	120 kg	160 kg	200 kg
Max. running speed	240 mm/s	210 mm/s	180 mm/s
Power consumption (power-saving mode)	1 W	1 W	1 W
Duty cycle	DC 40 % S3	DC 40 % S3	DC 40 % S3
Number of radio memory positions	40	40	40
Max. recommended no. of spaces	30	50	30

Matching accessories



Lock
 Locking magnet
 #1651V000
 Page 204



Senso
 Humidity sensor
 #10371
 Page 204



Memo
 Memory extension
 #10373
 Page 204



Buzzer
 Alarm/warning buzzer
 #7043V000
 Page 205



Laser
 Park position laser
 #10378
 Page 205



Motion
 Motion detector
 #S10343-00001
 Page 205



Lumi pro⁺
 Additional LED lighting
 #S10205-00001
 Page 206



SOMweb
 Smart Home solution
 #S11342-00001
 Page 177



sprint evolution

Elegance in black

Optimal application of force through soft running

Efficient application of force guarantees controlled soft running in ramp form which prevents unnecessary power loss.

Accident prevention through electronically controlled force measurement

The operator learns on its own and runs in the currently most economical way thanks to the DPS (Dynamic Power System). It adapts to the environment and always moves at the same speed. For the operator, obstacles mean that it suddenly needs more force. In this case, it stops or reverses. This prevents injury and damage to property.

Motor control unit with integrated radio receiver

The motor control unit features an integrated radio receiver (FM 868.8 MHz) and lighting.

Connections for photocell and TorMinal

Since all relevant connections are already present, no additional control units are necessary.

Emergency release in the event of power failure

In the event of a power failure, the emergency release can be activated manually to open or close the garage door.



Operator

- › Very quiet opening and closing
- › Longer service life and less wear thanks to gentle transmission technology provided by the travelling motor
- › The chain is fixed, which means there is no frictional loss and loss of power as there is with a revolving chain
- › The self-locking motor provides protection against break-in and unauthorised access; no additional locking mechanism is necessary
- › SLS – Safety Lock System (the emergency release can be engaged and disengaged in every position of the door and provides security, for example, in the event of a power failure)

Motor control unit

- › Integrated FM 868.8 MHz radio receiver
- › 112 memory locations
- › Integrated lighting
- › Pluggable, service-friendly motor control unit
- › Automatic obstacle detection with reversion when an obstacle is encountered, provides optimal protection for families with children, for example
- › The DPS (Dynamic Power System) continuously reads in the required force and adapts it to changing external conditions, thus providing the highest level of safety
- › Backjump feature takes stress off the door and the operator
- › Controlled soft running at the beginning and end of the door movement
- › Wall button with 7 m cable
- › Mounting set with adjustable ceiling bracket
- › Without handheld transmitter



Track

- › 2,600 mm travel length
- › For doors up to 2.60 m, depending on door type
- › Rail extension possible
- › Adjustable ceiling bracket

Maximum safety

- › Automatic obstacle detection
- › Break-in protection through self-locking motor
- › SLS – Safety Lock System (the emergency release can be engaged and disengaged in every position of the door and provides security, for example, in the event of a power failure)

MADE IN GERMANY



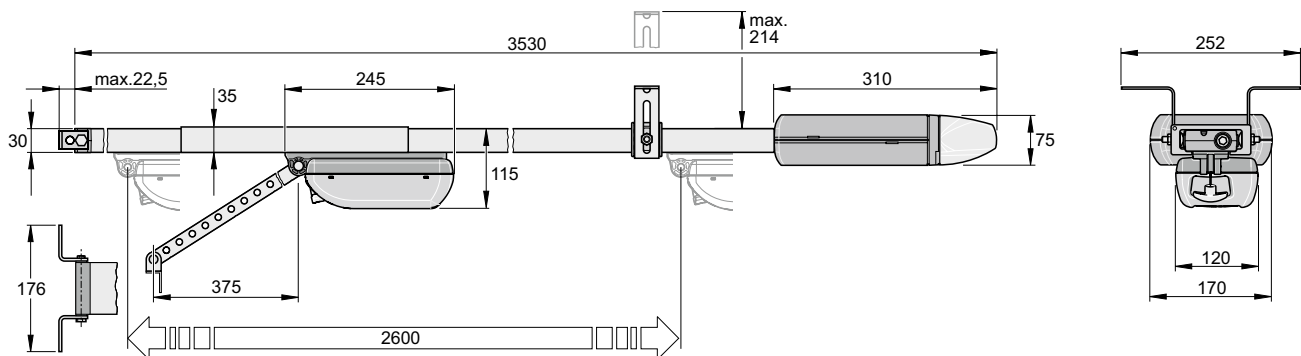


sprint evolution 550

- > 550 N pull and pushing force
- > Control unit housing with integrated radio receiver (FM 868.8 MHz Somloq Rollingcode)
- > Wall button with 7 m cable
- > Lighting
- > Mounting set
- > Handheld transmitter available separately
- > Can only be used in combination with rail unit #1897V000 (please order separately)

2600V000

Dimension drawing

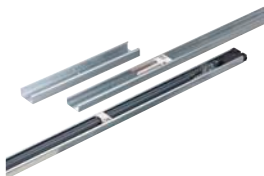




Technical data

Type	sprint evolution 550
Max. pull and pushing force	550 N
Max. door width/door height sectional door	4,000 mm/2,350 mm
Max. door width/door height one piece door	4,000 mm/2,600 mm
Max. door width/door height up-and-over door	3,500 mm/1,900 mm
Max. door width/door height hinged double door	2,800 mm/2,800 mm
Max. door width/door height side-opening sectional door/side-opening door	2,350 mm/2,300 mm
Travel length (standard)	2,600 mm
Max. running speed	160 mm/s
Power consumption (standby)	7 W
Duty cycle	DC 15 % S3
Number of radio memory positions	112

Required accessories



Track unit for sprint evolution

Travel length 2,600 mm

1897V000

Page 243



Pearl

4-command handheld transmitter

4018V000

Page 156

Matching accessories



Rail extension 1,600 mm

1628V000

Page 243



One-way photocell, can rotate 180°, 4-wire

7029V000

Page 213



Surface-mounted push-button set

3113

Page 234



TorMinal

Service interface

3800V000

Page 231



duo vision

The classic operator with separate control unit housing

Highest level of flexibility

Thanks to separate control unit housing for flexible wall or ceiling installation.

Optimal application of force through soft running

Efficient application of force guarantees controlled soft running in ramp form which prevents unnecessary power loss.

Emergency release in the event of power failure

In the event of a power failure, the emergency release can be activated manually to open or close the garage door.

No additional connections necessary

Since all relevant connections for photocells, buttons, warning lights and TorMinal are already present, no additional control units are necessary.

Optimal voltage supply

No matter where a power socket is installed in your garage, with the flexible duo vision system, you can install the control unit housing exactly where you want it.

Accident prevention through electronically controlled force measurement

The operator learns on its own and runs in the currently most economical way thanks to the DPS (Dynamic Power System). It adapts to the environment and always moves at the same speed. For the operator, obstacles mean that it suddenly needs more force. In this case, it stops or reverses. This prevents injury and damage to property.





Operator

- › Very fast and quiet opening and closing
- › Longer service life and less wear thanks to gentle transmission technology provided by the travelling motor
- › The chain is fixed, which means there is no frictional loss and loss of power as there is with a revolving chain
- › Self-locking motor ensures protection against break-in and unauthorised access

Track

- › Power supply to both ends of the track possible, thus saving time and unnecessary cable laying during installation
- › Including 5 m connection cable
- › Ideal for retrofitting
- › Travel lengths of 2,600 mm, 3,000 mm and 3,400 mm possible

Separate motor control unit

- › Integrated radio receiver (FM 868.8 MHz) with 112 memory positions
- › Wall button already integrated; no separate pushbutton necessary
- › Integrated lighting
- › No complex electrical installation necessary because the existing power socket can be used
- › Automatic obstacle detection with reversion when an obstacle is encountered, thus providing optimal protection for people and objects
- › The DPS (Dynamic Power System) continuously reads in the required force and adapts it to changing external conditions, thus providing the highest level of safety
- › Backjump feature takes stress off the door and the operator
- › Controlled soft running

Maximum safety

- › Automatic obstacle detection
- › Break-in protection through self-locking motor
- › SLS – Safety Lock System (the emergency release can be engaged and disengaged in every position of the door and provides security, for example, in the event of a power failure)



Installation examples for the duo control unit

- 1) Installation at the rear
- 2) Installation on the ceiling
- 3) Installation at the front
- 4) Installation directly on the track with the duo installation set (#927)



duo vision

- > Control unit housing with integrated radio receiver for installation on the wall or ceiling (FM 868.8 MHz Somloq Rollingcode, 112 radio memory positions)
- > Integrated interior push-button
- > Lighting
- > Mounting set
- > Handheld transmitter available separately
- > Can only be used in combination with rail units # 1890V000, # 1891V000 and # 1892V000 (please order separately)

duo vision 500

- > 500 N pull and pushing force

3000V000

duo vision 650

- > 650 N pull and pushing force

3010V000

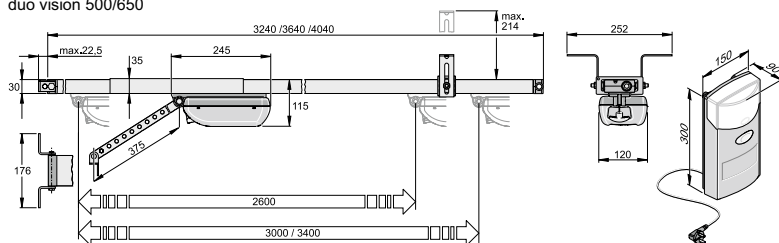
duo vision 800

- > 800 N pull and pushing force

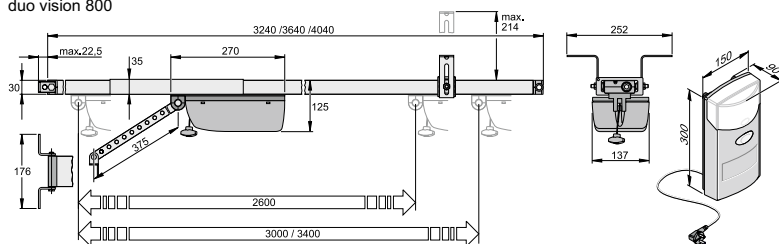
3020V000

Dimension drawing

duo vision 500/650



duo vision 800

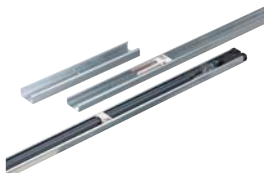




Technical data

Type	duo vision 500	duo vision 650	duo vision 800
Max. pull and pushing force	500 N	650 N	800 N
Max. door width/door height sectional door	3,500 mm / 2,350 mm	5,000 mm / 2,350 mm	5,500 mm / 2,350 mm
With travel length 2,600 mm	3,500 mm / 2,750 mm	5,000 mm / 2,750 mm	5,500 mm / 2,750 mm
With travel length 3,000 mm	3,500 mm / 3,150 mm	5,000 mm / 3,150 mm	5,500 mm / 3,150 mm
With travel length 3,400 mm			
Max. door width/door height one piece door	3,500 mm / 2,600 mm	5,000 mm / 2,600 mm	5,500 mm / 2,600 mm
With travel length 2,600 mm	3,500 mm / 3,000 mm	5,000 mm / 3,000 mm	5,500 mm / 3,000 mm
With travel length 3,000 mm	3,500 mm / 3,400 mm	5,000 mm / 3,400 mm	5,500 mm / 3,400 mm
With travel length 3,400 mm			
Max. door width/door height up-and-over door	–	4,000 mm / 1,900 mm	4,500 mm / 1,900 mm
With travel length 2,600 mm		4,000 mm / 2,300 mm	4,500 mm / 2,300 mm
With travel length 3,000 mm	–	4,000 mm / 2,700 mm	4,500 mm / 2,700 mm
With travel length 3,400 mm	–		
Max. door width/door height hinged double door	–	2,800 mm / 2,800 mm	2,800 mm / 3,000 mm
Max. door width/door height side-opening sectional door/ side-opening door	2,350 mm / 2,300 mm	2,350 mm / 3,000 mm	2,350 mm / 3,000 mm
With travel length 2,600 mm	2,750 mm / 2,300 mm	2,750 mm / 3,000 mm	2,750 mm / 3,000 mm
With travel length 3,000 mm	3,150 mm / 2,300 mm	3,150 mm / 3,000 mm	3,150 mm / 3,000 mm
With travel length 3,400 mm			
Travel length (standard)	2,600 mm	2,600 mm	2,600 mm
Max. travel length extended	5,800 mm 2× extensions (1,600 mm)	7,400 mm 3× extensions (1,600 mm)	9,000 mm 4× extensions (1,600 mm)
Max. door weight	80 kg	120 kg	160 kg
Max. running speed	150 mm/s	180 mm/s	130 mm/s
Power consumption (standby)	7 W	2 W	2 W
Duty cycle	DC 15 % S3	DC 15 % S3	DC 15 % S3
Number of radio memory positions	112	112	112

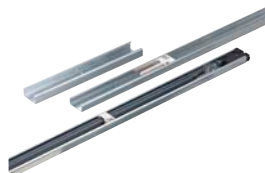
Required accessories



Rail unit for duo vision / duo rapido⁺
Travel length 2,600 mm

1890V000

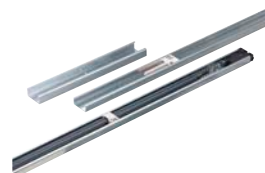
Page 243



Rail unit for duo vision / duo rapido⁺
Travel length 3,000 mm

1891V000

Page 243



Rail unit for duo vision / duo rapido⁺
Travel length 3,400 mm

1892V000

Page 243



Pearl
4-command handheld transmitter

4018V000

Page 156

Matching accessories



LED warning light

5114V000

Page 227



One-way photocell, can rotate 180°, 4-wire

7029V000

Page 213



SOMtouch
2-command radio wall button

S10447-00001

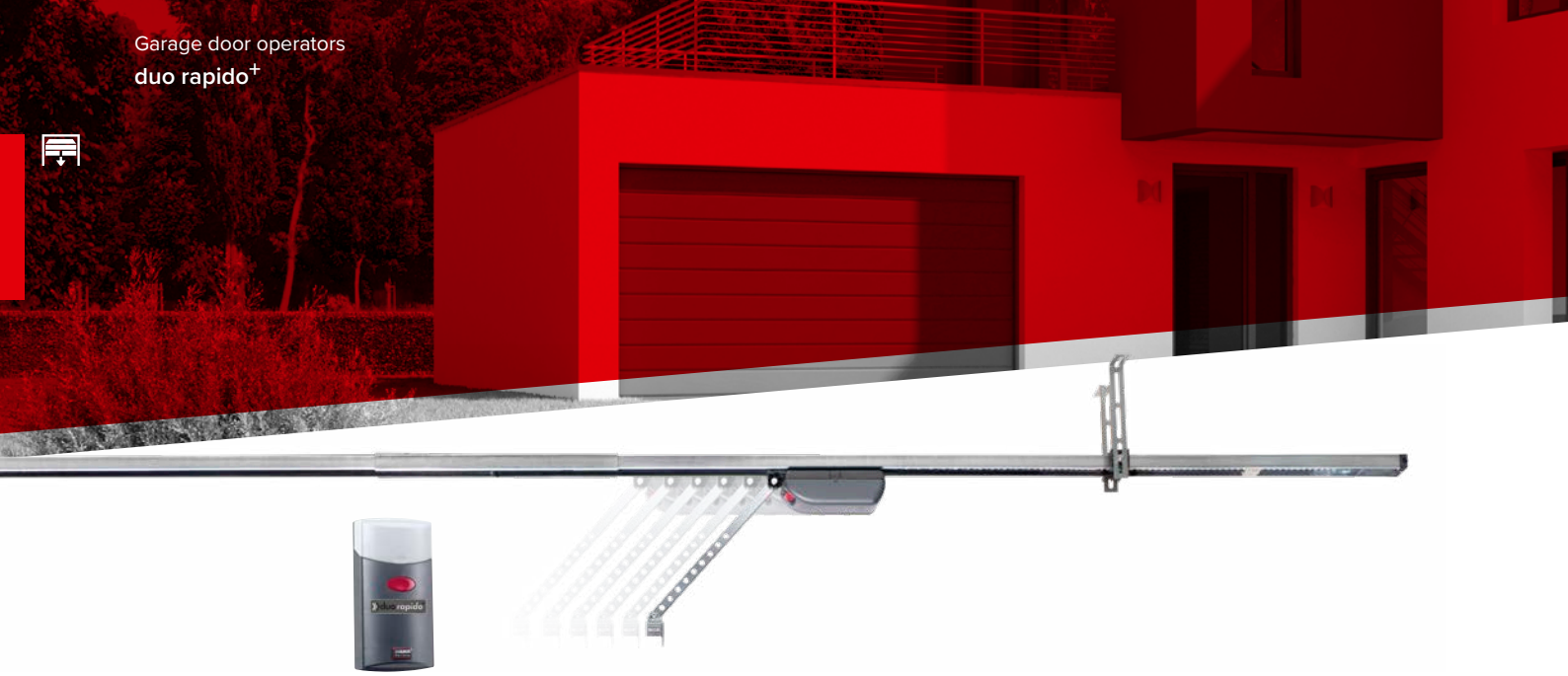
Page 159



Telecody⁺
Radio code keypad

S10212-00001

Page 158



duo rapido⁺

The fast garage door operator

Speed

The operator opens the garage door with a maximum speed of 240 mm/s.

Highest level of flexibility

Thanks to separate control unit housing for flexible wall or ceiling installation. This means no additional power socket needs to be installed on the ceiling.

Optimal application of force through soft running

Efficient application of force guarantees controlled soft running in ramp form which prevents unnecessary power loss.

Universal power supply

Power can be supplied flexibly from the front or the rear.

Emergency release in the event of power failure

In the event of a power failure, the emergency release can be activated manually to open or close the garage door.

Connections for photocell and TorMinal

Since all relevant connections are already present in the operator, no additional control units are necessary.

Accident prevention through electronically controlled force measurement

The operator learns on its own and runs in the currently most economical way thanks to the DPS (Dynamic Power System). It adapts to the environment and always moves at the same speed. For the operator, obstacles mean that it suddenly needs more force. In this case, it stops or reverses. This prevents injury and damage to property.





Operator

- › Very fast and quiet opening and closing
- › Longer service life and less wear thanks to gentle transmission technology provided by the travelling motor
- › The chain is fixed, which means there is no frictional loss and loss of power as there is with a revolving chain
- › Self-locking motor ensures protection against break-in and unauthorised access

Track

- › Power supply to both ends of the track possible, thus saving time and unnecessary cable laying during installation
- › Including 5 m connection cable

Maximum safety

- › Automatic obstacle detection
- › Break-in protection through self-locking motor
- › SLS – Safety Lock System (the emergency release can be engaged and disengaged in every position of the door and provides security, for example, in the event of a power failure)

Separate motor control unit

- › Integrated radio receiver (FM 868.8 MHz) with 112 memory positions
- › Wall button already integrated; no separate pushbutton necessary
- › Integrated lighting
- › No complex electrical installation necessary because the existing power socket can be used
- › Automatic obstacle detection with reversion when an obstacle is encountered, thus providing optimal protection for people and objects
- › The DPS (Dynamic Power System) continuously reads in the required force and adapts it to changing external conditions, thus providing the highest level of safety
- › Backjump feature takes stress off the door and the operator
- › Controlled soft running



Installation examples for the duo control unit

- 1) Installation at the rear
- 2) Installation on the ceiling
- 3) Installation at the front
- 4) Installation directly on the track with the duo installation set (#927)



rapido

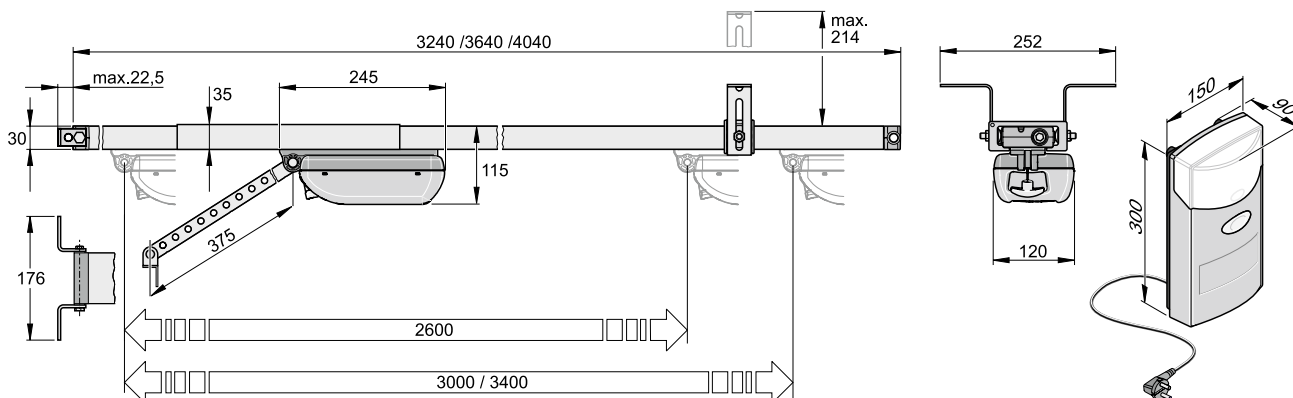


duo rapido 650⁺

- > 650 N pull and pushing force
- > Control unit housing with integrated radio receiver for installation on the wall or ceiling (FM 868.8 MHz Somloq Rollingcode, 112 radio memory positions)
- > Integrated interior push-button
- > Lighting
- > Mounting set
- > Handheld transmitter available separately
- > Can only be used in combination with rail units # 1890V000, # 1891V000 and # 1892V000 (please order separately)

3060V000

Dimension drawing

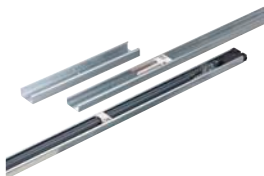




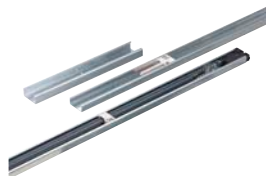
Technical data

Type	duo rapido 650 ⁺
Max. pull and pushing force	650 N
Max. door width/door height sectional door	
With travel length 2,600 mm	5,000 mm/2,350 mm
With travel length 3,000 mm	5,000 mm/2,750 mm
With travel length 3,400 mm	5,000 mm/3,150 mm
Max. door width/door height one piece door	–
Max. door width/door height up-and-over door	–
Max. door width/door height hinged double door	–
Max. door width/door height side-opening sectional door/side-opening door	
With travel length 2,600 mm	2,350 mm/3,000 mm
With travel length 3,000 mm	2,750 mm/3,000 mm
With travel length 3,400 mm	3,150 mm/3,000 mm
Travel length (standard)	2,600 mm
Max. travel length extended	7,400 mm 3 x extensions (1,600 mm)
Max. door weight	120 kg
Max. running speed	240 mm/s
Power consumption (standby)	7 W
Duty cycle	DC 15 % S3
Number of radio memory positions	112

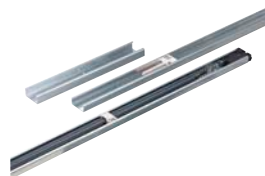
Required accessories



Rail unit for duo vision / duo rapido⁺
Travel length 2,600 mm
1890V000
Page 243



Rail unit for duo vision / duo rapido⁺
Travel length 3,000 mm
1891V000
Page 243



Rail unit for duo vision / duo rapido⁺
Travel length 3,400 mm
1892V000
Page 243



Pearl
4-command handheld transmitter
4018V000
Page 156

Matching accessories



LED warning light
5114V000
Page 227



One-way photocell, can rotate 180°, 4-wire
7029V000
Page 213



SOMtouch
2-command radio wall button
S10447-00001
Page 159



Telecody⁺
Radio code keypad
S10212-00001
Page 158



Underground garage door operators



Underground garage operators

Operators in comparison	40
SOMMER tiga	42
SOMMER tiga ⁺	46

Technical data and connection options on the motor carriage



Operator unit	S 9060	S 9080	S 9110
Max. pull and pushing force	600 N	800 N	1,100 N
Max. door width/door height sectional door	4,500 mm/2,500 mm	6,000 mm/2,500 mm	8,000 mm/2,500 mm
Max. door width/door height one piece door	4,500 mm/2,750 mm	6,000 mm/2,750 mm	8,000 mm/2,750 mm
Max. door width/door height up-and-over door	4,500 mm/2,050 mm	6,000 mm/2,050 mm	8,000 mm/2,050 mm
Max. door width/door height hinged double door	2,800 mm/2,500 mm	2,800 mm/2,750 mm	2,800 mm/3,000 mm
Max. door width/door height side-opening sectional door/side-opening door ¹⁾	2,500 mm (4,500 mm)/ 2,500 mm	2,500 mm (5,750 mm)/ 2,750 mm	2,500 mm (6,850 mm)/ 3,000 mm
Travel length (standard)	2,750 mm	2,750 mm	2,750 mm
Max. travel length extended	4,900 mm 2× extensions (1,096 mm)	6,000 mm 3× extensions (1,096 mm)	7,100 mm 4× extensions (1,096 mm)
Max. door weight	120 kg	160 kg	200 kg
Max. running speed	240 mm/s	210 mm/s	180 mm/s
Power consumption (power-saving mode)	1 W	1 W	1 W
Duty cycle	DC 40% S3	DC 40% S3	DC 40% S3
Number of radio memory positions	40	40	40
Max. recommended no. of spaces	30	50	30
Motor carriage			
Operator lighting LED	✓ (6 LEDs)		
Lock slot	✓		
Memo slot	✓ (Expands the radio memory to 450 handheld transmitter commands)		
Senso slot	✓		
Buzzer slot	✓		
Laser slot	✓		
Motion slot	✓		
OSE/8k2 connection	✓		
Wicket door contact connection	✓		
Serial interface for Delta Dore X3D module or HomeLink radio receiver module	✓		
Output 12 V, 100 mA	✓		

¹⁾ Side-opening sectional doors and side-opening doors wider than 2,500 mm can be implemented with the corresponding number of extensions.



Wall or ceiling control unit connection options

Type	SOMMER tiga	SOMMER tiga ⁺
Ceiling control unit	–	–
Wall control unit	✓	✓
Battery pack slot	✓	✓
Keypad slot for foil keypad pro ⁺ /Conex	–	–
Slot Relay/Output OC	✓	–
Light slot for additional LED lighting Lumi ⁺ /Lumi pro ⁺	–	–
Pulse button connection	–	–
Button 2 connection (partial opening)	–	–
Button connection (interior request side)	✓	✓
Button connection (exterior request side)	✓	✓
Warning light connection	✓ (24 V / max. 3 W)	✓ (24 V / max. 3 W)
2-/4-wire photocell connection; door CLOSE; DC 24 V	✓	✓
4-wire photocell connection; door OPEN; DC 24 V	–	✓
OSE/8k2 connection; door CLOSE	–	✓
OSE/8k2 connection; door OPEN	–	✓
Red traffic light connection; interior/exterior; 24 V/7 W	✓	✓
Red-green traffic light connection; interior/exterior; 24 V/7 W	–	✓
Memo tiga slot	✓	✓
Connection for MUFU1 multifunction relay	✓	✓
Connection for MUFU2 multifunction relay	–	✓
Safety connection (e.g. for emergency stop)	✓	✓
Alarm connection (potential-free NO contact of a fire alarm system)	–	✓
Timer contact connection (interior request side)	–	✓
Timer contact connection (exterior request side)	–	✓
Induction loop connection (potential-free contact of a separate evaluation unit)	–	✓
Output DC 24 V, 100 mA	✓	–
Output DC 24 V, 300 mA	–	✓



SOMMER tiga

Robust technology for small underground garages

Quality

- › Universal operator for sectional doors, overhead doors, one piece doors, up-and-over doors¹⁾ and side-opening sectional doors
- › Chain:
 - High-quality fixed chain (galvanic nickel-plated)
 - Wear- and maintenance-free, pre-tensioned via springs with high tensile strength
- › Integrated LED technology: durable, energy-saving and efficient lighting
- › Saves power: <1 watt standby
- › Made in Germany

Safety

- › Motor with high self-locking and active counter-pressure in all positions in the event of an attempted break-in
- › Connection option for battery pack for emergency operation in the event of a power failure
- › Optional Lock locking magnet for additional protection against break-ins. Locks in any position, even during ventilation function, partial opening and door OPEN end position
- › Thanks to the integrated emergency release, the motor carriage can be engaged and disengaged in any position
- › Bidirectional, secure radio system SOMloq2 thanks to 128-bit AES encryption
- › Certified restriction of closing forces in acc. with EN 12453 by electronic motor monitoring (Ift Rosenheim-certified)

Versatility

- › Numerous accessories for expansion, for example the Memo memory extension, which increases the radio memory positions to 450, or the Motion detector.
- › Additional connection options directly on the motor carriage (wicket door contact and safety contact strip OSE or 8k2)
- › Universal power supply to the rail (can either be from the front or the rear)
- › Motor carriage can be removed without disassembling the rail
- › Short cable runs with wall mounting for external accessories (photocell, warning light, external buttons, ...)
- › Track
 - The rail unit (standard equipment) opens sectional doors up to a height of 2,500 mm, one piece doors up to a height of 2,750 mm
 - Even taller doors can be opened by extending the track.
- › Easy to install and versatile ceiling suspension unit

Flexibility

- › Separate control unit housing for wall installation
- › Installation of the control unit will not impede the passing of cars
- › Automatic closing function

MADE IN GERMANY



Intelligence

- › Automatic learning process: self-learning force curve with continual adjustment, e.g. summer/winter mode
- › Optimised speed profiles for quick opening and secure closing
- › Secure unit consisting of door and operator in accordance with door standards with **over 3,000 certified door-operator combinations**. You can find the current reference list here: www.som4.me/cgdo.
- › Automatic calibration of door operation through direct entry of measured operating forces
- › Pre-selectable door types via DIP switch
- › Active braking for moving doors
- › Numerous setting and querying options via SOMlink S2:
 - Service interface for operators and radio receivers with SOMloq2 radio system
 - Help during start-up, e.g. deleting transmitter or adapting speeds
 - Parametrisation of the operator or radio receiver, e.g. changing lighting duration
 - Reading out, saving and loading system data
 - Visualisation of force curves
 - Programmable service interval
 - Event history providing assistance during servicing
 - Pre-warning time for “opening” and “closing” can be set separately.
 - Hold open time
 - Clearing time
 - Cycle counter can be read out
 - and much more
- › Gear-saving soft start and soft stop
- › Automatic end position detection in door CLOSE when programming, the closing pressure can also be individually adapted to the structural conditions
- › Serial interface for the Delta Dore X3D module or HomeLink radio receiver module

Advantages of the control unit

- › Pluggable spring-type terminals for easy handling if service is required
- › All inputs are equipped with status LEDs
- › One connection option each for a button for the interior and exterior request side
- › Connection option for a 24 V/ 3 W warning light
- › Slot for Memo tiga configuration memory (saves e.g. the data from relays and contains an event history). It is already installed at the factory.
- › One “Safety” connection (e.g. for emergency stop)
- › Slot for additional relay “Relay”
- › Connection option for 2/4-wire photocell or a 2-wire frame photocell in door CLOSE direction
- › One connection option each for a red traffic light (24 V/7 W) for the interior and exterior request side
- › Connection option for potential-free multi-function relay. Up to ten configurations can be set via SOMlink S2 for the multi-function relay.
- › DC 24 V, 100 mA output



SOMMER tiga



Accu Ready 1 W standby

SOMMER tiga

- > Motor carriage with integrated radio receiver (FM 868.95 MHz SOMloq2, 40 radio memory positions)
- > LED lighting in the motor carriage with 6 LEDs
- > 3-piece track, motor carriage, control unit housing (IP54), Memo tiga, ceiling suspension unit, attachment to header, push arm, door bracket and mounting material

S 9060 tiga

- > 600 N pull and pushing force

S10313-00001

S 9080 tiga

- > 800 N pull and pushing force

S10314-00001

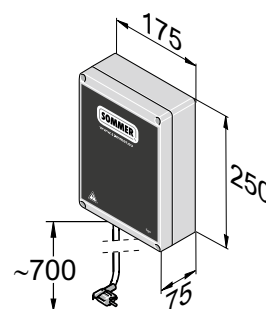
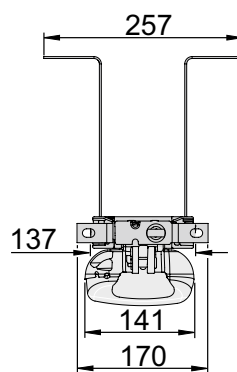
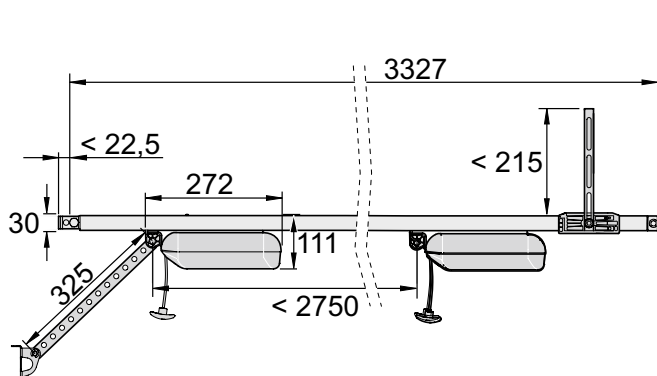
S 9110 tiga

- > 1,100 N pull and pushing force

S10315-00001



Dimension drawing





Technical data

Type	S 9060 tiga	S 9080 tiga	S 9110 tiga
Max. pull and pushing force	600 N	800 N	1,100 N
Max. door width/door height sectional door	4,500 mm / 2,500 mm	6,000 mm / 2,500 mm	8,000 mm / 2,500 mm
Max. door width/door height one piece door	4,500 mm / 2,750 mm	6,000 mm / 2,750 mm	8,000 mm / 2,750 mm
Max. door width/door height up-and-over door	4,500 mm / 2,050 mm	6,000 mm / 2,050 mm	8,000 mm / 2,050 mm
Max. door width/door height side-opening sectional door/ side-opening door	2,500 mm (4,500 mm) / 2,500 mm	2,500 mm (5,750 mm) / 2,750 mm	2,500 mm (6,850 mm) / 3,000 mm
Travel length (standard)	2,750 mm	2,750 mm	2,750 mm
Max. travel length extended	4,900 mm 2× extensions (1,096 mm)	6,000 mm 3 x extensions (1,096 mm)	7,100 mm 4× extensions (1,096 mm)
Max. door weight	120 kg	160 kg	200 kg
Max. running speed	240 mm/s	210 mm/s	180 mm/s
Power consumption (power-saving mode)	1 W	1 W	1 W
Duty cycle	DC 40% S3	DC 40% S3	DC 40% S3
Number of radio memory positions	40	40	40
Max. recommended no. of spaces	30	50	30

Matching accessories



Lumi Strip holder set traffic light
LED red-green traffic light

S12706-00001

Page 225



One-way photocell 20 m
Photocell

7029V000

Page 213



Pull button

S10798-00002

Page 212



Wicket door switch set

S11474-00001

Page 241



GTA OSE connection set

S10814-00002

Page 219



Pearl Twin⁺
2-command handheld transmitter

S11925-00001

Page 157



Codemaster S2
Transmitter management

S13571-00001

Page 165



SOMlink S2
Service interface

S13574-00001

Page 230



SOMMER tiga⁺

The underground garage door operator for extended requirements

Quality

- › Universal operator for sectional doors, overhead doors, one piece doors, up-and-over doors¹⁾ and side-opening sectional doors
- › Chain:
 - High-quality fixed chain (galvanic nickel-plated)
 - Wear- and maintenance-free, pre-tensioned via springs with high tensile strength
- › Integrated LED technology: durable, energy-saving and efficient lighting
- › Saves power: <1 watt standby
- › Made in Germany

Safety

- › Motor with high self-locking and active counter-pressure in all positions in the event of an attempted break-in
- › Connection option for battery pack for emergency operation in the event of a power failure
- › Optional Lock locking magnet for additional protection against break-ins. Locks in any position, even during ventilation function, partial opening and door OPEN end position
- › Thanks to the integrated emergency release, the motor carriage can be engaged and disengaged in any position
- › Bidirectional, secure radio system SOMloq2 thanks to 128-bit AES encryption
- › Certified restriction of closing forces in acc. with EN 12453 by electronic motor monitoring (Ift Rosenheim-certified)

Versatility

- › Numerous accessories for expansion, for example the Memo memory extension, which increases the radio memory positions to 450, or the Motion detector.
- › Additional connection options directly on the motor carriage (wicket door contact and safety contact strip OSE or 8k2)
- › Universal power supply to the rail (can either be from the front or the rear)
- › Motor carriage can be removed without disassembling the rail
- › Short cable runs with wall mounting for external accessories (photocell, warning light, external buttons, ...)
- › Track
 - The rail unit (standard equipment) opens sectional doors up to a height of 2,500 mm, one piece doors up to a height of 2,750 mm
 - Even taller doors can be opened by extending the track.
- › Easy to install and versatile ceiling suspension unit

Flexibility

- › Separate control unit housing for wall installation
- › Installation of the control unit will not impede the passing of cars
- › Automatic closing function

MADE IN GERMANY



Intelligence

- › Automatic learning process: self-learning force curve with continual adjustment, e.g. summer/winter mode
- › Optimised speed profiles for quick opening and secure closing
- › Secure unit consisting of door and operator in accordance with door standards with **over 3,000 certified door-operator combinations**. You can find the current reference list here: www.som4.me/cgdo.
- › Automatic calibration of door operation through direct entry of measured operating forces
- › Pre-selectable door types via DIP switch
- › Active braking for moving doors
- › Numerous setting and querying options via SOMlink S2:
 - Service interface for operators and radio receivers with SOMloq2 radio system
 - Help during start-up, e.g. deleting transmitter or adapting speeds
 - Parametrisation of the operator or radio receiver, e.g. changing lighting duration
 - Reading out, saving and loading system data
 - Visualisation of force curves
 - Programmable service interval
 - Event history providing assistance during servicing
 - Pre-warning time for “opening” and “closing” can be set separately.
 - Hold open time
 - Clearing time
 - Cycle counter can be read out
 - and much more
- › Gear-saving soft start and soft stop
- › Automatic end position detection in door CLOSE when programming, the closing pressure can also be individually adapted to the structural conditions
- › Serial interface for the Delta Dore X3D module or HomeLink radio receiver module

Advantages of the control unit

- › Pluggable spring-type terminals for easy handling if service is required
- › All inputs are equipped with status LEDs
- › One connection option each for a button for the interior and exterior request side
- › Connection option for a 24 V/3 W warning light
- › Slot for Memo tiga configuration memory (saves e.g. the data from relays and contains an event history). It is already installed at the factory.
- › One “Safety” connection (e.g. for emergency stop)
- › Ample space in the housing for additional electronic components (timer, stairwell lights ...)
- › Connection option for 2/4-wire photocell or a 2-wire frame photocell in door CLOSE direction and a 4-wire photocell in door OPEN direction
- › DC 24 V, 300 mA output
- › Connection option for a safety contact strip (OSE or 8k2) in door CLOSE direction and a safety contact strip (OSE or 8k2) in door OPEN direction
- › One connection option each for a red and green traffic light (24 V/7 W) for the interior and exterior request side → **One-way traffic control**
- › Connection option for two potential-free multi-function relays. Up to ten configurations can be set via SOMlink S2 per multi-function relay.
- › Connection option for the potential-free NO contact of a fire alarm system
- › One connection option each for a timer contact for the interior and exterior request side
- › Connection option for an induction loop (potential-free contact of a separate evaluation unit)





SOMloq2



Accu Ready 1 W standby



SOMMER operator unit

- > Motor carriage with integrated radio receiver (FM 868.95 MHz SOMloq2, 40 radio memory positions)
- > LED lighting in the motor carriage with 6 LEDs
- > 3-piece rail, motor carriage, ceiling suspension unit, attachment to header, push arm, door bracket and mounting material

S 9060 operator unit

- > 600 N pull and pushing force

S10453-00001

S 9080 operator unit

- > 800 N pull and pushing force

S10454-00001

S 9110 operator unit

- > 1,100 N pull and pushing force

S10455-00001

tiga⁺ control unit

- > Incl. Memo tiga
- > Degree of protection IP65

S10456-00001



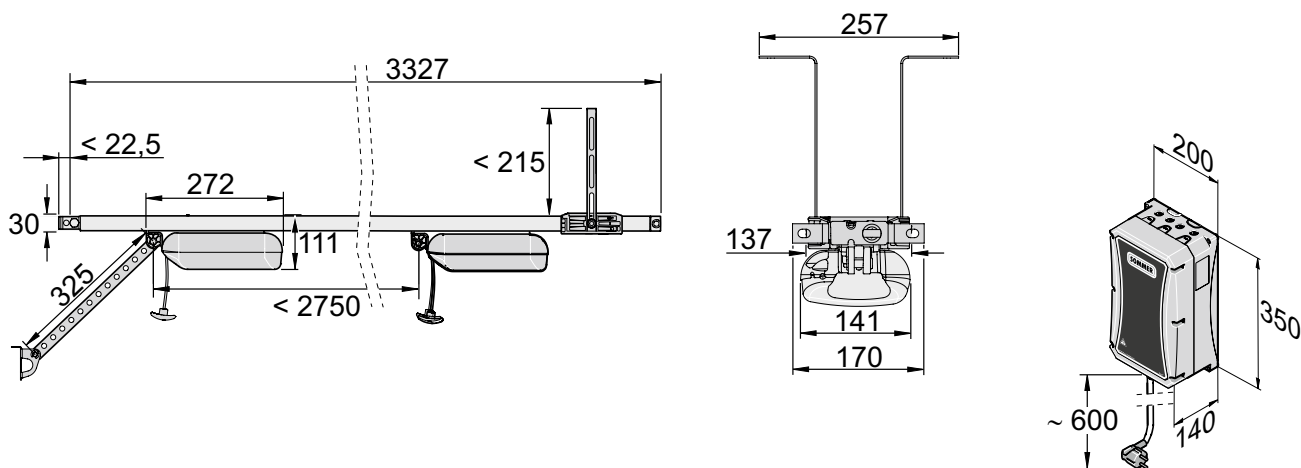
tiga⁺ control unit

- > Incl. button and main switch
- > Incl. Memo tiga
- > Degree of protection IP65

S10456-00011



Dimension drawing





Technical data

Type	S 9060 tiga ⁺	S 9080 tiga ⁺	S 9110 tiga ⁺
Max. pull and pushing force	600 N	800 N	1,100 N
Max. door width/door height sectional door	4,500 mm / 2,500 mm	6,000 mm / 2,500 mm	8,000 mm / 2,500 mm
Max. door width/door height one piece door	4,500 mm / 2,750 mm	6,000 mm / 2,750 mm	8,000 mm / 2,750 mm
Max. door width/door height up-and-over door	4,500 mm / 2,050 mm	6,000 mm / 2,050 mm	8,000 mm / 2,050 mm
Max. door width/door height hinged double door	–	–	–
Max. door width/door height side-opening sectional door/ side-opening door	2,500 mm (4,500 mm) / 2,500 mm	2,500 mm (5,750 mm) / 2,750 mm	2,500 mm (6,850 mm) / 3,000 mm
Travel length (standard)	2,750 mm	2,750 mm	2,750 mm
Max. travel length extended	4,900 mm 2× extensions (1,096 mm)	6,000 mm 3× extensions (1,096 mm)	7,100 mm 4× extensions (1,096 mm)
Max. door weight	120 kg	160 kg	200 kg
Max. running speed	240 mm/s	210 mm/s	180 mm/s
Power consumption (power-saving mode)	1 W	1 W	1 W
Duty cycle	DC 40% S3	DC 40% S3	DC 40% S3
Number of radio memory positions	40	40	40
Max. recommended no. of spaces	30	50	30

Matching accessories



Lumi Strip holder set traffic light
LED red-green traffic light

S12706-00001

Page 225



One-way photocell 20 m
Photocell

7029V000

Page 213



Pull button

S10798-00002

Page 212



Wicket door switch set

S11474-00001

Page 241



GTA OSE connection set

S10814-00002

Page 219



Pearl Twin⁺
2-command handheld transmitter

S11925-00001

Page 157



Codemaster S2
Transmitter management

S13571-00001

Page 165



SOMlink S2
Service interface

S13574-00001

Page 230



Swing gate operators



Swing gate operators

Operators in comparison	52
twist 200 E/twist 200 EL	54
twist M/twist ML	62
twist 350	70
twist 350 rapido	74
twist XL	78
twist UG/twist UG ⁺	82
twist AM	88

Technical data

Type	twist 200 E	twist 200 EL	twist M	twist ML
Max. gate leaf weight	300 kg	300 kg	300 kg	300 kg
Max. gate leaf width	2,500 mm	2,500 mm	2,500 mm	2,500 mm
Max. gate inclination ¹⁾	10 %	10 %	10 %	10 %
Max. gate filling ²⁾	100 %	100 %	100 %	100 %
Motor voltage	DC 24 V	DC 24 V	DC 24 V	DC 24 V
Max. opening angle	120°	130°	120°	130°
Min. temperature	-30 °C	-30 °C	-25 °C	-25 °C
Max. temperature	+70 °C	+70 °C	+65 °C	+65 °C

1) In combination with special fittings, complies with the standards and directives listed in the Declaration of incorporation, particularly DIN EN 13241. 2) Depending on the gate width and height. 3) In compliance with the norms and standards listed in the Declaration of incorporation, particularly DIN EN 12453. 4) For wing lengths from 3 m and gate weights of 300 kg or more, active safety contact strips must be used. 5) The use of active safety contact strips is mandatory in compliance with the norms and standards listed in the Declaration of incorporation, particularly DIN EN 13241.

Functions

Type	twist 200 E	twist 200 EL	twist M	twist ML	twist 350	twist 350 rapido	twist XL	twist UG	twist UG ⁺	twist AM
Control unit parametrisable	T	T	T	T	T	T	T	S	S	S
Accident prevention	✓	✓	✓	✓	✓	✓	✓	✓	✓	✓
Emergency release	✓	✓	✓	✓	✓	✓	✓	✓	✓	✓
Soft start/soft stop	✓	✓	✓	✓	✓	✓	✓	✓	✓	✓
Automatic closing	✓	✓	✓	✓	✓	✓	✓	✓	✓	✓
Semi-automatic closing function	✓	✓	✓	✓	✓	✓	✓	✓	✓	✓
Dead-man function	-	-	-	-	✓	✓	✓	✓	✓	✓
Walk-through door function	✓	✓	✓	✓	✓	✓	✓	✓	✓	✓
Pulse mode	✓	✓	✓	✓	✓	✓	✓	✓	✓	✓
defined OPEN/CLOSED	-	-	-	-	✓	✓	✓	✓	✓	✓
Pre-warning time	✓	✓	✓	✓	✓	✓	✓	✓	✓	✓

T Terminal
S SOMlink S2

	twist 350	twist 350 rapido	twist XL	twist UG	twist UG ⁺	twist AM
	700 kg	300 kg	1,100 kg	350 kg ³⁾⁴⁾	600 kg ³⁾⁵⁾	250 kg
	4,000 mm	3,000 mm	7,000 mm	3,500 mm ³⁾⁴⁾	3,500 mm ³⁾⁵⁾	2,500 mm
	–	–	10 %	–	–	–
	100 %	100 %	100 %	90 %	90 %	100 %
	DC 24 V	DC 24 V	DC 24 V	DC 24 V	DC 24 V	DC +24 V
	121°	121°	110°	105°	105°	130°
	-30 °C	-30 °C	-25 °C	-25 °C	-25 °C	-25 °C
	+70 °C	+70 °C	+70 °C	+65 °C	+65 °C	+65 °C



Connection options

Type	twist 200 E	twist 200 EL	twist M	twist ML	twist 350	twist 350 rapido	twist XL	twist UG	twist UG ⁺	twist AM
Connection of 2-wire photocell	√ ¹	√ ¹	√ ¹	√ ¹	√	√	√	√	√	√
Connection of 4-wire photocell	√	√	√	√	√	√	√	√	√	√
Terminal for safety contact strip	√ ¹	√ ¹	√ ¹	√ ¹	√ ¹	√ ¹	√ ¹	√	√	√
Number of safety inputs	1	1	1	1	1	1	1	2	2	2
Warning light connection	√	√	√	√	√	√	√	√	√	√
DC output	√	√	√	√	√	√	√	–	–	√
Floating relay contact	√	√	√	√	√	√	√	√	√	√
Connection, electric lock	√	√	√	√	√	√	√	√	√	√
Memo slot	√	√	√	√	√	√	√	√	√	√
Battery pack slot	√	√	√	√	–	–	–	√	√	√

1 With external evaluation unit



twist 200 E/twist 200 EL

Powerful swing gate operators for gates with a gate leaf width of up to 2.5 m or a gate leaf weight of 300 kg

Flexible

- › Can be used universally for DIN left and DIN right
- › 1- and 2-leaf operation as well as mixed operation with twist 350 and twist XL possible¹⁾
- › With special fittings, also suitable for outward-opening gates
- › Microprocessor control unit with a wide variety of setting options, such as pedestrian leaf function, automatic closing of the gate, adjustable pre-warning time, adjustable behaviour when encountering an obstacle (complete or partial reversion of the gate)
- › Interface to TorMinal programming device
- › Fast installation and easy electrical connection

Secure

- › Self-locking without electric lock
- › Accident prevention by means of electronically-regulated force measurement with DPS (Dynamic Power System)
- › Operator can be manually unlocked in any position (e.g. in the event of a power failure)
- › Connections for safety devices, such as warning light and photocell (4-wire) as well as for an external device (DC 24 V), potential-free relay contact

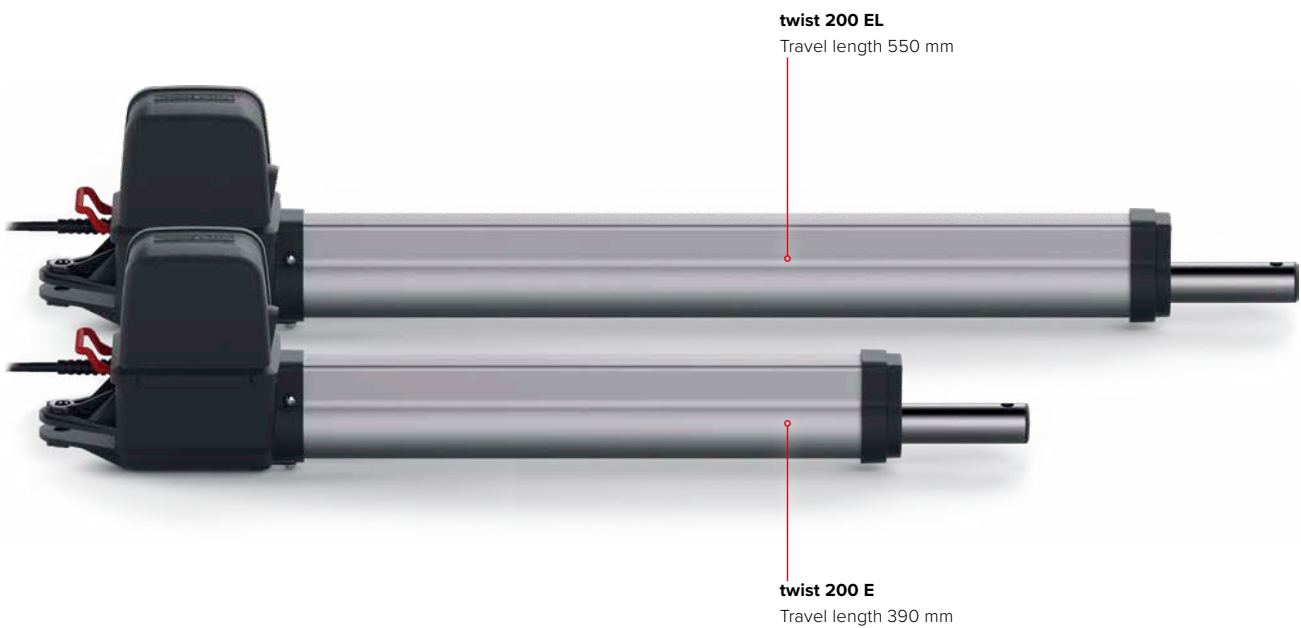
Innovative

- › Compact design
- › Controlled soft run in ramp form without power loss ensures movement which is easy on the gate

Electronic limit stops with reed sensors ensure precise limit switching.



Safe and convenient emergency release system.

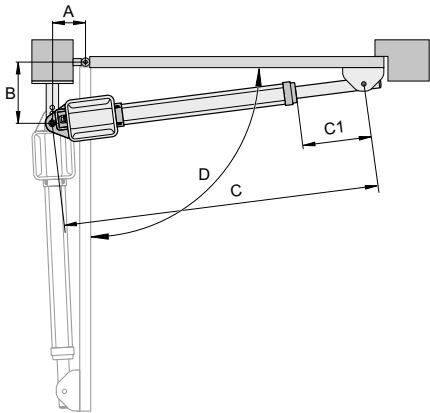


Advantages of the longer travel length of the twist 200 EL

- › Operator can be mounted on very wide brick posts
- › Operator can be installed at an incline to the gate
- › Operator can achieve opening angle of up to 130°
- › Through the inclined position, the operator can provide a higher force when the gate is closed so that breaking in or unauthorised opening can be made even more difficult



Before mounting, it is necessary to define the A/B dimensions. Without these dimensions, the operator cannot be correctly installed and operated.



The dimensions (A+B) must be selected so that the desired opening angle (D) is reached. The specified opening angle is a reference value for the largest possible angle. For gate leaf widths greater than 1.5 m or full surface closed gates, the B dimension must be at least 140 mm.

The reference values in the table have been calculated based on the following data: Wind speed: 28.3 m/s; Gate height: 2.0 m; Gate width: 2.5 m; Gate filling: 35 % evenly distributed; without electric lock

- > The largest possible B dimension should always be selected. A large B dimension improves the power transmission from the operator to the gate. In addition, the operator is stressed less, which increases the service life.
- > The C dimension displays the entire length of the operator mounted on the closed gate.
- > The C1 dimension displays the stroke of the push rod with the operator mounted on the closed gate.
- > Due to the increased stroke, we recommend the use of the twist 200 EL from a B dimension of 180 mm onwards.

twist 200 E

B	A		80		100		120		140		160		180		200		220		240		260		Max. gate leaf width without electric lock
	C	D	C1																				
100	851	221	875	245	918	288	957	327	994	363	1026	396	1041	411	1043	413	1051	421	1040	410		1.5 m	
		90°		93°		105°		113°		118°		120°		115°		108°		102°		98°			
120	872	242	896	266	935	305	968	338	1004	374	1035	405	1041	411	1042	412	1040	410	1037	407			
		90°		93°		103°		108°		113°		115°		108°		102°		97°		93°			
140	894	264	918	288	951	321	987	357	1018	388	1048	418	1040	410	1040	410	1038	408	1043	412			
		90°		93°		100°		107°		110°		112°		101°		96°		92°		90°			
160	916	286	940	310	971	341	1001	371	1035	405	1049	419	1051	421	1040	410						2.5 m	
		90°		93°		99°		103°		108°		104°		98°		91°							
180	938	308	961	332	991	361	1021	391	1050	420	1041	410	1050	420									
		90°		93°		98°		102°		105°		94°		92°									
200	961	331	984	354	1010	380	1039	409	1042	412													
		90°		93°		96°		100°		93°													
220	983	354	1008	378	1032	403	1051	421															
		90°		93°		96°		95°															
240	1007	377	1031	401																			
		90°		93°																			
260	1030	400																					
		90°																					

As the data in the table may vary depending on the gate mechanism, they should be checked in advance.

White fields:

Installation range only for horizontal gates.

Red fields:

Installation range for horizontal and inclined gates.

Attention:

Inclined gates only with special fitting, max. leaf width 2.5 m, max. leaf weight 120 kg, max. inclination 10 %.

twist 200 EL

B	A			80	100	120	140	160	180	200	220	240	260	280	Max. gate leaf width without electric lock
	C	C1	D												
100				1041 216 90°	1065 240 93°	1108 283 105°	1147 322 113°	1183 358 118°	1216 391 120°	1256 431 125°	1298 473 130°	1317 492 125°	1346 521 125°	1376 551 125°	1.5 m
120				1062 237 90°	1086 261 93°	1128 303 103°	1158 333 108°	1194 369 113°	1235 410 115°	1264 439 120°	1304 479 125°	1321 496 120°	1349 524 120°	1376 551 120°	
140				1083 258 90°	1107 282 93°	1141 316 100°	1177 352 107°	1208 383 110°	1244 419 115°	1279 354 118°	1309 484 125°	1340 515 120°	1358 533 117°	1377 552 115°	
160				1105 280 90°	1129 304 93°	1160 335 99°	1191 366 103°	1245 400 108°	1258 433 112°	1292 467 115°	1316 491 122°	1360 536 120°	1372 547 115°	1385 560 112°	2.5 m
180				1127 302 90°	1151 326 93°	1180 355 98°	1210 385 102°	1246 421 108°	1279 454 112°	1308 483 113°	1331 506 120°	1372 547 117°	1392 567 115°	1398 573 110°	
200				1149 324 90°	1173 348 93°	1199 374 96°	1230 405 101°	1261 436 105°	1296 471 110°	1326 501 112°	1364 539 117°	1387 562 115°	1396 571 110°	1398 573 105°	
220				1171 346 90°	1195 370 93°	1221 396 96°	1252 427 101°	1283 458 105°	1316 491 109°	1343 518 110°	1380 555 115°	1393 568 110°	1398 573 105°	1396 571 100°	
240				1194 369 90°	1218 393 93°	1242 417 95°	1273 448 100°	1305 480 105°	1335 510 108°	1364 540 110°	1397 572 113°	1399 574 105°	1399 574 100°	1392 567 95°	
260				1217 392 90°	1241 416 93°	1265 440 95°	1295 470 100°	1324 499 103°	1353 390 106°	1380 555 107°	1398 573 105°	1380 555 95°	1398 573 95°	1386 561 90°	
280				1240 415 90°	1264 439 93°	1289 463 95°	1316 491 99°	1344 519 102°	1374 549 105°	1398 573 105°	1405 579 100°	1389 564 92°	1394 569 90°		
300				1264 439 90°	1287 462 93°	1311 486 95°	1337 512 98°	1365 540 101°	1392 567 103°	1390 565 95°	1408 583 95°				
320				1287 462 90°	1311 486 93°	1334 509 95°	1371 536 98°	1388 563 101°	1394 569 95°	1401 576 92°					
340				1311 486 90°	1334 509 93°	1358 532 95°	1382 557 97°	1410 585 100°							
360				1335 510 90°	1358 533 93°	1382 557 95°									
380				1359 534 90°	1382 557 93°										
400				1383 558 90°											

As the data in the table may vary depending on the gate mechanism, they should be checked in advance.

White fields:

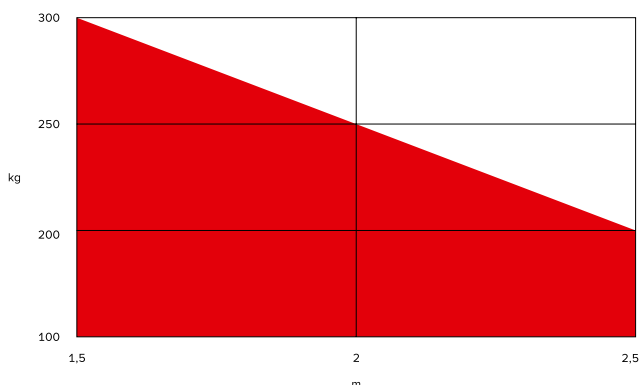
Installation range only for horizontal gates.

Red fields:

Installation range for horizontal **and** inclined gates.

Attention:

Inclined gates only with special fitting, max. leaf width 2.5 m, max. leaf weight 120 kg, max. inclination 10 %.



Height (m)	Infill (%)		
2	70	60	50
1.5	90	80	70
1	100	100	100
0.5	100	100	100
Length (m)	1.5	2	2.5

Valid for B dimensions 260 mm (twist 200 E) and 400 mm (twist 200 EL) and A dimension 80 mm; recorded values for gate leaf thickness 50 mm and centre rotation point, based on the maximum given gate weight.



twist 200 E set 1-leaf

- > twist 200 E swing gate operator (can be used universally for DIN left and DIN right)
- > Post and gate leaf fitting
- > Control unit DST-A 24 in housing (IP65), Dimensions: 250×175×75 mm
- > SOMup4 S2 radio receiver (FM 868.95 MHz SOMloq2, 40 radio memory positions), pluggable
- > Slot for Memo memory extension (450 radio commands)
- > Pearl Vibe 4-command handheld transmitter (# 4019V000) with noticeable feedback of radio commands via vibration
- > Transmitters can be programmed and deleted and information on the radio receiver viewed via the SOMlink S2 service interface.

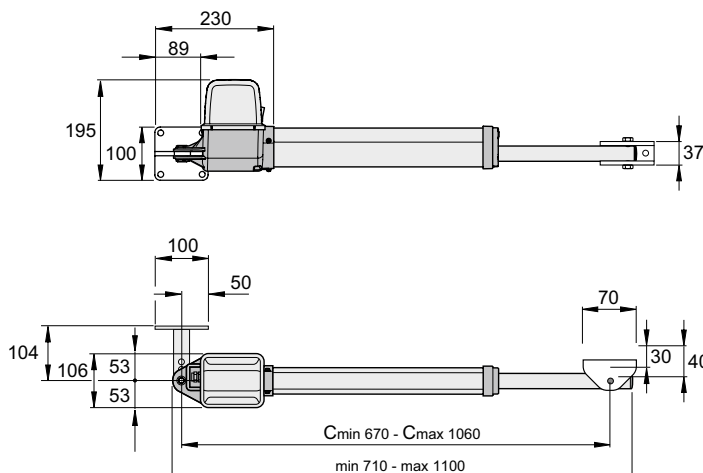
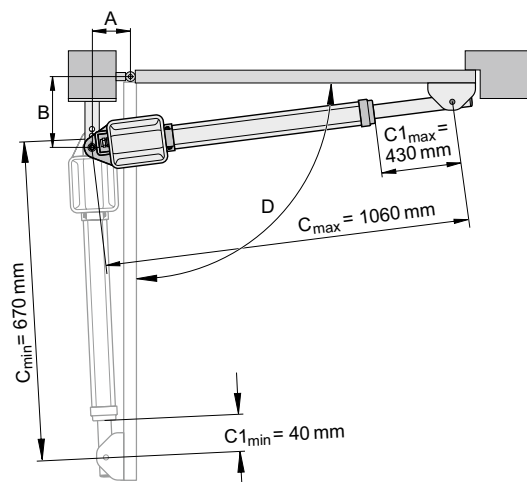
S11520-00001

twist 200 E set 2-leaf

- > Two twist 200 E swing gate operators (can be used universally for DIN left and DIN right)
- > Post and gate leaf fittings
- > Control unit DST-A 24 in housing (IP65), Dimensions: 250×175×75 mm
- > SOMup4 S2 radio receiver (FM 868.95 MHz SOMloq2, 40 radio memory positions), pluggable
- > Slot for Memo memory extension (450 radio commands)
- > PearlVibe 4-command handheld transmitter (# 4019V000) with noticeable feedback of radio commands via vibration
- > Transmitters can be programmed and deleted and information on the radio receiver viewed via the SOMlink S2 service interface.

S11521-00001

Dimension drawing



Technical data

Type	twist 200 E
Max. gate leaf weight	300 kg
Max. gate leaf width	2,500 mm
Max. gate inclination ¹⁾	10 %
Max. gate filling ²⁾	100 %
Rated voltage	AC 220–240 V
Rated frequency	50/60 Hz
Motor voltage	DC 24 V
Max. feed speed	16,5 mm/s

Type	twist 200 E
Max. opening angle	120°
Radio channels	2
Duty cycle	DC 15 % S3
IP code operator	IP44
IP code control unit	IP65
Min. temperature	-30 °C
Max. temperature	+70 °C

1) In combination with special fittings, complies with the standards and directives listed in the Declaration of incorporation, particularly DIN EN 13241. 2) Depending on the gate width and height.

Matching accessories



Connecting cable set DTA

3204V000

Page 248



Screw connection

S10152-00001

Page 248



Electric lock

3205V003

Page 249



Cylinder for electric lock

5102V000

Page 249



Gate post fitting 85/104, standard

32063V001

Page 252



Post fitting 60/210 L

S10751-00001

Page 252



Post fitting 60/210 R

S10755-00001

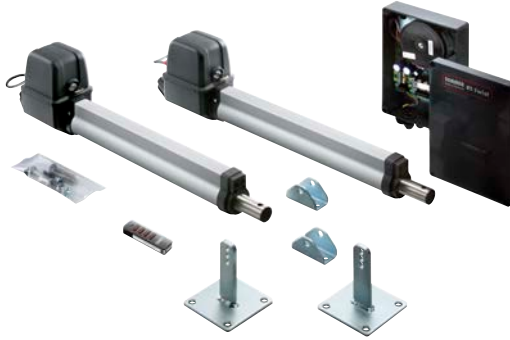
Page 252



One-way photocell, can rotate 180°, 4-wire

7029V000

Page 213



twist 200 EL set 1-leaf

- > twist 200 EL swing gate operator (can be used universally for DIN left and DIN right)
- > Post and gate leaf fitting
- > Control unit DST-A 24 in housing (IP65), Dimensions: 250×175×75 mm
- > SOMup4 S2 radio receiver (FM 868.95 MHz SOMloq2, 40 radio memory positions), pluggable
- > Slot for Memo memory extension (450 radio commands)
- > Pearl Vibe 4-command handheld transmitter (# 4019V000) with noticeable feedback of radio commands via vibration
- > Transmitters can be programmed and deleted and information on the radio receiver viewed via the SOMlink S2 service interface.

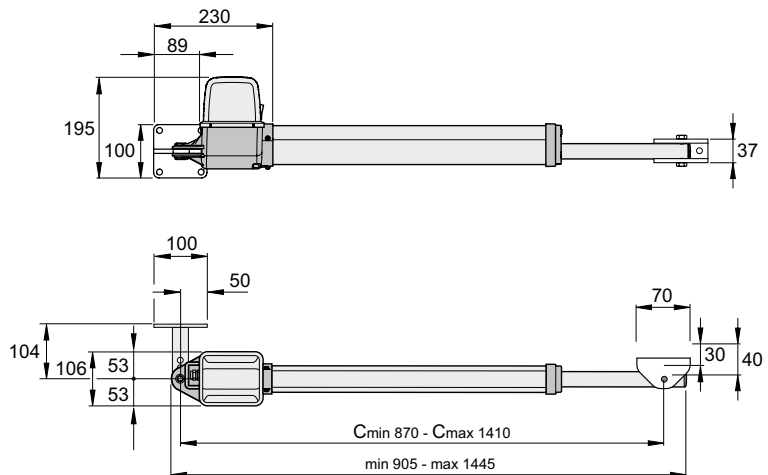
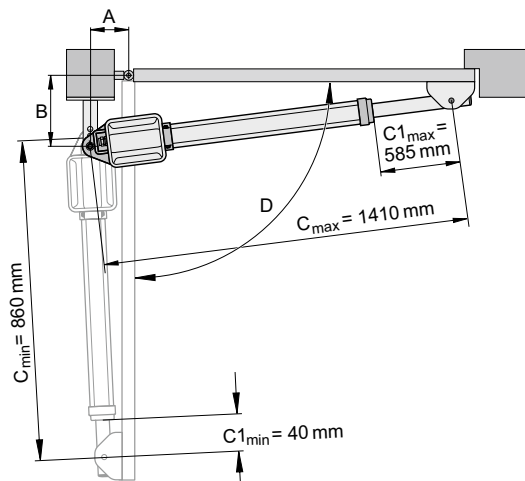
S11522-00001

twist 200 EL set 2-leaf

- > Two twist 200 EL swing gate operators (can be used universally for DIN left and DIN right)
- > Post and gate leaf fittings
- > Control unit DST-A 24 in housing (IP65), Dimensions: 250×175×75 mm
- > SOMup4 S2 radio receiver (FM 868.95 MHz SOMloq2, 40 radio memory positions), pluggable
- > Slot for Memo memory extension (450 radio commands)
- > Pearl Vibe 4-command handheld transmitter (# 4019V000) with noticeable feedback of radio commands via vibration
- > Transmitters can be programmed and deleted and information on the radio receiver viewed via the SOMlink S2 service interface.

S11523-00001

Dimension drawing



Technical data

Type	twist 200 EL
Max. gate leaf weight	300 kg
Max. gate leaf width	2,500 mm
Max. gate inclination ¹⁾	10 %
Max. gate filling ²⁾	100 %
Rated voltage	AC 220–240 V
Rated frequency	50/60 Hz
Motor voltage	DC 24 V
Max. feed speed	16.5 mm/s

Type	twist 200 EL
Max. opening angle	130°
Radio channels	2
Duty cycle	DC 15 % S3
IP code operator	IP44
IP code control unit	IP65
Min. temperature	-30 °C
Max. temperature	+70 °C

¹⁾ In combination with special fittings, complies with the standards and directives listed in the Declaration of incorporation, particularly DIN EN 13241. ²⁾ Depending on the gate width and height.

Matching accessories



Connecting cable set DTA

3204V000

Page 248



Screw connection

S10152-00001

Page 248



Electric lock

3205V003

Page 249



Cylinder for electric lock

5102V000

Page 249



Gate post fitting 85/104, standard

32063V001

Page 252



Post fitting 60/210 L

S10751-00001

Page 252



Post fitting 60/210 R

S10755-00001

Page 252



One-way photocell, can rotate 180°, 4-wire

7029V000

Page 213



twist M/twist ML

Powerful swing gate operators for gates with a gate leaf width of up to 2.5 m or a gate leaf weight of 300 kg

Flexible



Optional ambient lighting which illuminates the ground as the door moves.

- › Can be used universally for DIN left and DIN right
- › 1- and 2-leaf operation
- › With special fittings, also suitable for outward-opening gates
- › Microprocessor control unit with a wide variety of setting options, such as pedestrian leaf function, automatic closing of the gate, adjustable pre-warning time, adjustable behaviour when encountering an obstacle (complete or partial reversion of the gate)
- › Fast installation and easy electrical connection
- › Attachment dimensions identical to the twist 200 E/EL facilitate conversion.

Secure

Electronic limit stops with reed sensors ensure precise limit switching.



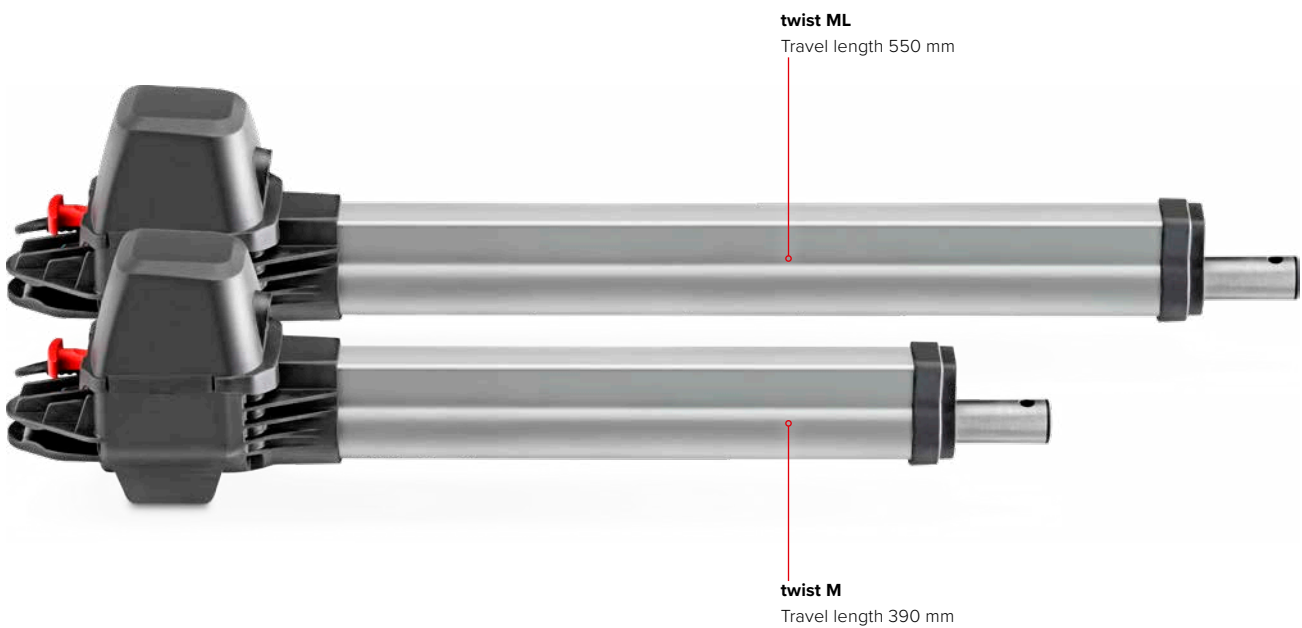
- › Self-locking without electric lock
- › Accident prevention by means of electronically-regulated force measurement with DPS (Dynamic Power System)
- › Operator can be manually unlocked in any position (e.g. in the event of a power failure), optionally via a Bowden wire from outside
- › Connections for safety devices, such as warning light and photocell (4-wire) as well as for an external device (DC 24 V), potential-free relay contact



Safe and convenient emergency release system with defined positions (locked/unlocked).

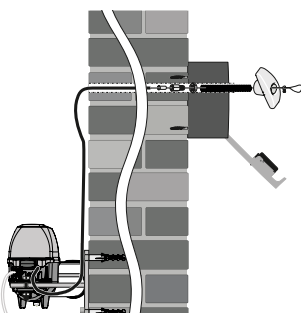
Innovative

- › Compact design
- › Controlled soft run in ramp form without power loss ensures movement which is easy on the gate



Advantages of the longer travel length of the twist ML

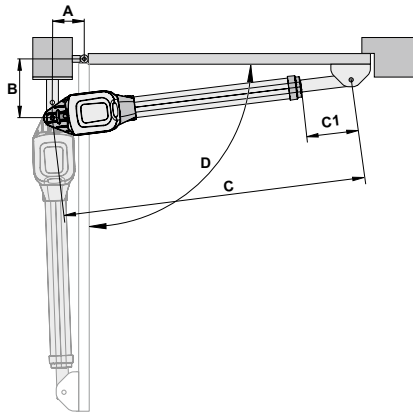
- › Operator can be mounted on very wide brick posts
- › Operator can be installed at an incline to the gate
- › Operator can achieve opening angle of up to 130°
- › Through the inclined position, the operator can provide a higher force when the gate is closed so that breaking in or unauthorised opening can be made even more difficult



Optionally, unlocking from outside is possible with a Bowden wire.



Before mounting, it is necessary to define the A/B dimensions. Without these dimensions, the operator cannot be correctly installed and operated.



The dimensions (A+B) must be selected so that the desired opening angle (D) is reached. The specified opening angle is a reference value for the largest possible angle. For gate leaf widths greater than 1.5 m or full surface closed gates, the B dimension must be at least 140 mm.

The reference values in the table have been calculated based on the following data: Wind speed: 28.3 m/s; Gate height: 2.0 m; Gate width: 2.5 m; Gate filling: 35 % evenly distributed; without electric lock

- > The largest possible B dimension should always be selected. A large B dimension improves the power transmission from the operator to the gate. In addition, the operator is stressed less, which increases the service life.
- > The C dimension displays the entire length of the operator mounted on the closed gate.
- > The C1 dimension displays the stroke of the push rod with the operator mounted on the closed gate.
- > Due to the increased stroke, we recommend the use of the twist ML from a B dimension of 180 mm onwards.

twist M

B	A		80		100		120		140		160		180		200		220		240		260		Max. gate leaf width without electric lock		
	C	D	C1																						
100				851	221	875	245	918	288	957	327	994	363	1026	396	1041	411	1043	413	1051	421	1040	410	1.5 m	
				90°		93°		105°		113°		118°		120°		115°		108°		102°		98°			
120				872	242	896	266	935	305	968	338	1004	374	1035	405	1041	411	1042	412	1040	410	1037	407		
				90°		93°		103°		108°		113°		115°		108°		102°		97°		93°			
140				894	264	918	288	951	321	987	357	1018	388	1048	418	1040	410	1040	410	1038	408	1043	412		
				90°		93°		100°		107°		110°		112°		101°		96°		92°		90°			
160				916	286	940	310	971	341	1001	371	1035	405	1049	419	1051	421	1040	410					2.5 m	
				90°		93°		99°		103°		108°		104°		98°		91°							
180				938	308	961	332	991	361	1021	391	1050	420	1041	410	1050	420								
				90°		93°		98°		102°		105°		94°		92°									
200				961	331	984	354	1010	380	1039	409	1042	412												
				90°		93°		96°		100°		93°													
220				983	354	1008	378	1032	403	1051	421														
				90°		93°		96°		95°															
240				1007	377	1031	401																		
				90°		93°																			
260				1030	400																				
				90°																					

As the data in the table may vary depending on the gate mechanism, they should be checked in advance.

White fields:

Installation range only for horizontal gates.

Red fields:

Installation range for horizontal and inclined gates.

Attention:

Inclined gates only with special fitting, max. leaf width 2.5 m, max. leaf weight 120 kg, max. inclination 10 %.

twist ML

		A	80	100	120	140	160	180	200	220	240	260	280	Max. gate leaf width without electric lock
B	C	C1	D											
100			1041 216 90°	1065 240 93°	1108 283 105°	1147 322 113°	1183 358 118°	1216 391 120°	1256 431 125°	1298 473 130°	1317 492 125°	1346 521 125°	1376 551 125°	1.5 m
120			1062 237 90°	1086 261 93°	1128 303 103°	1158 333 108°	1194 369 113°	1235 410 115°	1264 439 120°	1304 479 125°	1321 496 120°	1349 524 120°	1376 551 120°	
140			1083 258 90°	1107 282 93°	1141 316 100°	1177 352 107°	1208 383 110°	1244 419 115°	1279 354 118°	1309 484 125°	1340 515 120°	1358 533 117°	1377 552 115°	
160			1105 280 90°	1129 304 93°	1160 335 99°	1191 366 103°	1245 400 108°	1258 433 112°	1292 467 115°	1316 491 122°	1360 536 120°	1372 547 115°	1385 560 112°	2.5 m
180			1127 302 90°	1151 326 93°	1180 355 98°	1210 385 102°	1246 421 108°	1279 454 112°	1308 483 113°	1331 506 120°	1372 547 117°	1392 567 115°	1398 573 110°	
200			1149 324 90°	1173 348 93°	1199 374 96°	1230 405 101°	1261 436 105°	1296 471 110°	1326 501 112°	1364 539 117°	1387 562 115°	1396 571 110°	1398 573 105°	
220			1171 346 90°	1195 370 93°	1221 396 96°	1252 427 101°	1283 458 105°	1316 491 109°	1343 518 110°	1380 555 115°	1393 568 110°	1398 573 105°	1396 571 100°	
240			1194 369 90°	1218 393 93°	1242 417 95°	1273 448 100°	1305 480 105°	1335 510 108°	1364 540 110°	1397 572 113°	1399 574 105°	1399 574 100°	1392 567 95°	
260			1217 392 90°	1241 416 93°	1265 440 95°	1295 470 100°	1324 499 103°	1353 390 106°	1380 555 107°	1398 573 105°	1380 555 95°	1398 573 95°	1386 561 90°	
280			1240 415 90°	1264 439 93°	1289 463 95°	1316 491 99°	1344 519 102°	1374 549 105°	1398 573 105°	1405 579 100°	1389 564 92°	1394 569 90°		
300			1264 439 90°	1287 462 93°	1311 486 95°	1337 512 98°	1365 540 101°	1392 567 103°	1390 565 95°	1408 583 95°				
320			1287 462 90°	1311 486 93°	1334 509 95°	1371 536 98°	1388 563 101°	1394 569 95°	1401 576 92°					
340			1311 486 90°	1334 509 93°	1358 532 95°	1382 557 97°	1410 585 100°							
360			1335 510 90°	1358 533 93°	1382 557 95°									
380			1359 534 90°	1382 557 93°										
400			1383 558 90°											

As the data in the table may vary depending on the gate mechanism, they should be checked in advance.

White fields:

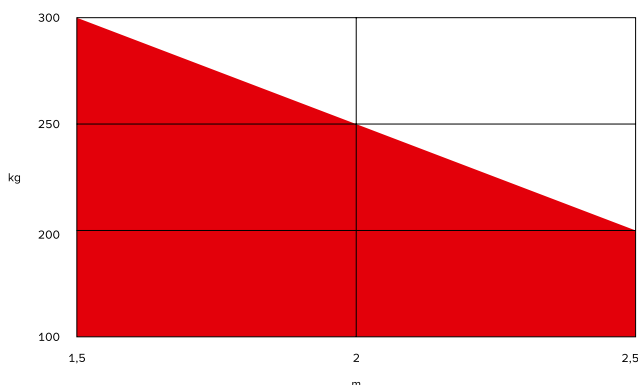
Installation range only for horizontal gates.

Red fields:

Installation range for horizontal **and** inclined gates.

Attention:

Inclined gates only with special fitting, max. leaf width 2.5 m, max. leaf weight 120 kg, max. inclination 10 %.



Height (m)	Infill (%)		
2	70	60	50
1.5	90	80	70
1	100	100	100
0.5	100	100	100
Length (m)	1.5	2	2.5

Valid for B dimensions 260 mm (twist M) and 400 mm (twist ML) and A dimension 80 mm; recorded values for gate leaf thickness 50 mm and centre rotation point, based on the maximum given gate weight.





twist M set 1-leaf

- > twist M swing gate operator (can be used universally for DIN left and DIN right)
- > Post and gate leaf fitting
- > Control unit DST-A 24 in housing (IP65), Dimensions: 250×175×75 mm
- > SOMup4 S2 radio receiver (FM 868.95 MHz SOMloq2, 40 radio memory positions, antenna connection), pluggable
- > Slot for Memo memory extension (450 radio commands)
- > Pearl Vibe 4-command handheld transmitter (# 4019V000) with noticeable feedback of radio commands via vibration
- > Transmitters can be programmed and deleted and information on the radio receiver viewed via the SOMlink S2 service interface.

S13694-00001

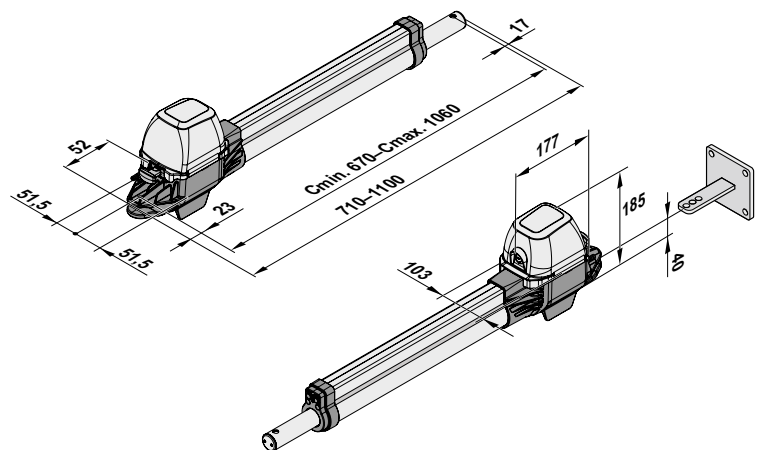
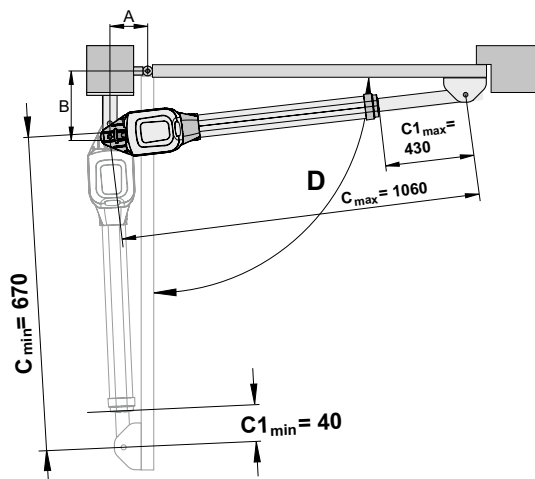


twist M set 2-leaf

- > Two twist M swing gate operators (can be used universally for DIN left and DIN right)
- > Post and gate leaf fittings
- > Control unit DST-A 24 in housing (IP65), Dimensions: 250×175×75 mm
- > SOMup4 S2 radio receiver (FM 868.95 MHz SOMloq2, 40 radio memory positions, antenna connection), pluggable
- > Slot for Memo memory extension (450 radio commands)
- > Pearl Vibe 4-command handheld transmitter (# 4019V000) with noticeable feedback of radio commands via vibration
- > Transmitters can be programmed and deleted and information on the radio receiver viewed via the SOMlink S2 service interface.

S13695-00001

Dimension drawing



Technical data

Type	twist M
Max. gate leaf weight	300 kg
Max. gate leaf width	2,500 mm
Max. gate inclination ¹⁾	10 %
Max. gate filling ²⁾	100 %
Rated voltage	AC 220–240 V
Rated frequency	50/60 Hz
Motor voltage	DC 24 V
Max. feed speed	16,5 mm/s

Type	twist M
Max. opening angle	120°
Radio channels	2
Duty cycle	DC 15 % S3
IP code operator	IP44
IP code control unit	IP65
Min. temperature	-25 °C
Max. temperature	+65 °C

1) In combination with special fittings, complies with the standards and directives listed in the Declaration of incorporation, particularly DIN EN 13241. 2) Depending on the gate width and height.

Matching accessories



Lumi Stick twist M/ML lighting

S13745-00001

Page 250



Release set

S11142-00002

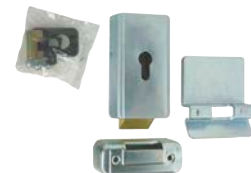
Page 250



Connecting cable set DTA

3204V000

Page 248



Electric lock

3205V003

Page 249



Cylinder for electric lock

5102V000

Page 249



Gate post fitting 85/104

32063V001

Page 252



Post fitting 60/210 L

S10751-00001

Page 252



Post fitting 60/210 R

S10755-00001

Page 252



twist ML set 1-leaf

- > twist ML swing gate operator (can be used universally for DIN left and DIN right)
- > Post and gate leaf fitting
- > Control unit DST-A 24 in housing (IP65), Dimensions: 250×175×75 mm
- > SOMup4 S2 radio receiver (FM 868.95 MHz SOMloq2, 40 radio memory positions, antenna connection), pluggable
- > Slot for Memo memory extension (450 radio commands)
- > Pearl Vibe 4-command handheld transmitter (# 4019V000) with noticeable feedback of radio commands via vibration
- > Transmitters can be programmed and deleted and information on the radio receiver viewed via the SOMlink S2 service interface.

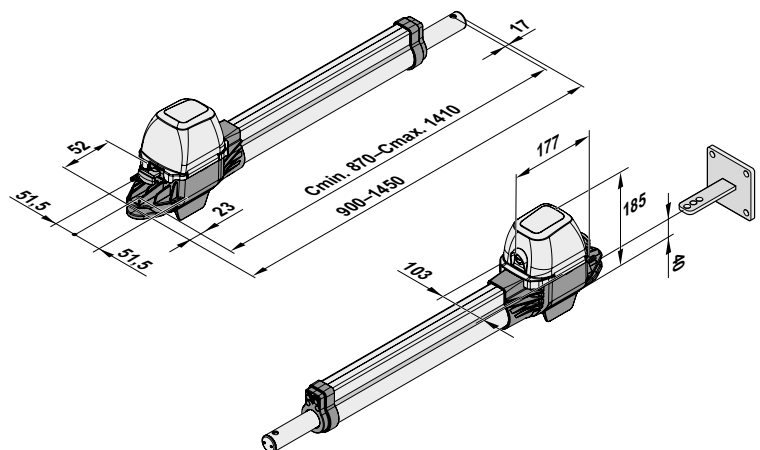
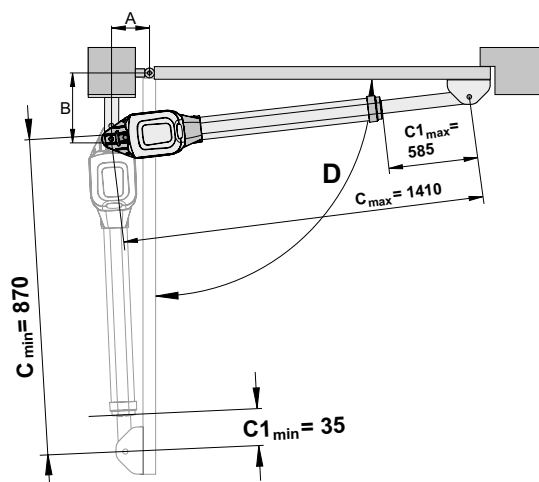
S13696-00001

twist ML set 2-leaf

- > Two twist ML swing gate operators (can be used universally for DIN left and DIN right)
- > Post and gate leaf fittings
- > Control unit DST-A 24 in housing (IP65), Dimensions: 250×175×75 mm
- > SOMup4 S2 radio receiver (FM 868.95 MHz SOMloq2, 40 radio memory positions, antenna connection), pluggable
- > Slot for Memo memory extension (450 radio commands)
- > Pearl Vibe 4-command handheld transmitter (# 4019V000) with noticeable feedback of radio commands via vibration
- > Transmitters can be programmed and deleted and information on the radio receiver viewed via the SOMlink S2 service interface.

S13697-00001

Dimension drawing



Technical data

Type	twist ML
Max. gate leaf weight	300 kg
Max. gate leaf width	2,500 mm
Max. gate inclination ¹⁾	10 %
Max. gate filling ²⁾	100 %
Rated voltage	AC 220–240 V
Rated frequency	50/60 Hz
Motor voltage	DC 24 V
Max. feed speed	16.5 mm/s

Type	twist ML
Max. opening angle	130°
Radio channels	2
Duty cycle	DC 15 % S3
IP code operator	IP44
IP code control unit	IP65
Min. temperature	-25 °C
Max. temperature	+65 °C

1) In combination with special fittings, complies with the standards and directives listed in the Declaration of incorporation, particularly DIN EN 13241. 2) Depending on the gate width and height.

Matching accessories



Lumi Stick twist M/ML lighting
S13745-00001
Page 250



Release set
S11142-00002
Page 250



Connecting cable set DTA
3204V000
Page 248



Electric lock
3205V003
Page 249



Cylinder for electric lock
5102V000
Page 249



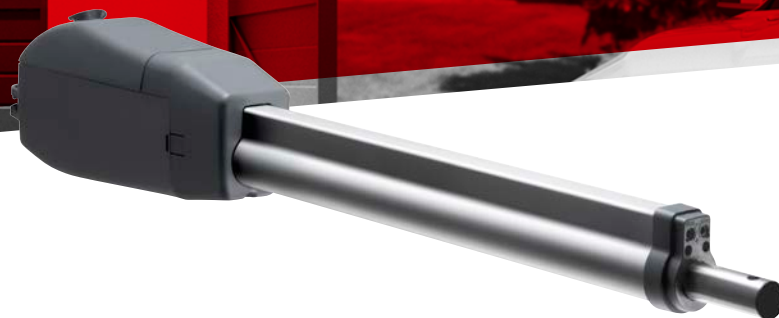
Gate post fitting 85/104, standard
32063V001
Page 252



Post fitting 60/210 L
S10751-00001
Page 252



Post fitting 60/210 R
S10755-00001
Page 252



twist 350

The high-power swing gate operator for gates with a gate leaf width of up to 4 m or a gate leaf weight of 700 kg

Flexible



Safe and convenient emergency release system.

- › Can be used universally for DIN left and DIN right
- › **1- and 2-leaf operation** as well as mixed operation with twist 200 E/EL¹⁾ and twist XL possible
- › Can also be used for closed gate fillings
- › With special fittings, also suitable for outward-opening gates
- › Microprocessor control unit with a wide variety of setting options, such as pedestrian leaf function, automatic closing of the gate, adjustable speed and pre-warning time, adjustable behaviour when encountering an obstacle (complete or partial reversion of the gate)
- › Interface to TorMinal programming device
- › Fast installation and easy electrical connection

Secure



Electronic limit stops with reed sensors ensure precise limit switching.

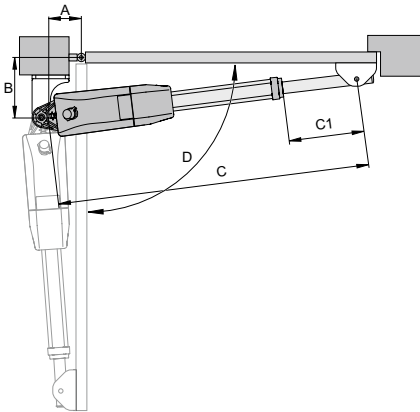
- › The patented SOMMER braking system makes the operator very durable – even in the event of extreme force effects of up to 2 tonnes, e.g. due to wind load or vandalism
- › Self-locking without electric lock up to 3.5 m
- › Accident prevention by means of electronically-regulated force measurement with DPS (Dynamic Power System)
- › Operator can be manually unlocked in any position (e.g. in the event of a power failure)
- › Connections for safety devices, such as warning light and photocell (2- and 4-wire) as well as for an external device (DC 24 V), potential-free relay contact

Innovative

- › Modern, elegant design
- › Controlled soft run in ramp form without power loss ensures movement which is easy on the gate



Before mounting, it is necessary to define the A/B dimensions. Without these dimensions, the operator cannot be correctly installed and operated.



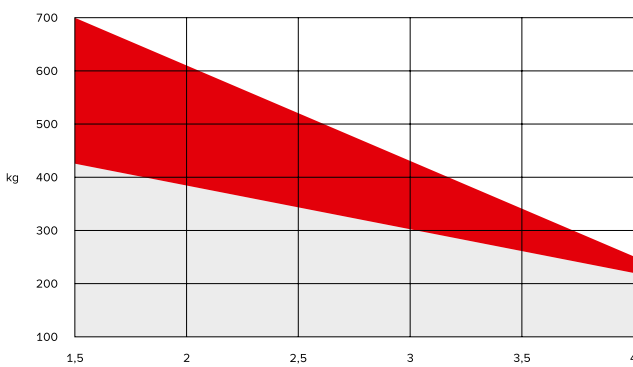
The dimensions (A+B) must be selected so that the desired opening angle (D) is reached. The specified opening angle is a reference value for the largest possible angle. For gate leaf widths greater than 2.5 m or full surface closed gates, the B dimension must be at least 200 mm.

The reference values in the table have been calculated based on the following data: Wind speed: 28.3 m/s; Gate height: 2.0 m; Gate width: 2.5 m; Gate filling: 35 % evenly distributed; without electric lock

- › The largest possible B dimension should always be selected. A large B dimension improves the power transmission from the operator to the gate. In addition, the operator is stressed less, which increases the service life.
- › The C dimension displays the entire length of the operator mounted on the closed gate.
- › The C1 dimension displays the stroke of the push rod with the operator mounted on the closed gate.

A	100	120	140	160	180	200	220	240	260	280	300	320	Max. gate leaf width without electric lock
B	1200	1234	1264	1292	1331	1371	1409	1411	1403	1424	1423	1430	
C	310	343	373	401	440	480	518	520	512	533	532	539	
D	92°	99°	103°	105°	111°	117°	121°	112°	104°	104°	100°	98°	
140	1222	1248	1280	1306	1339	1377	1416	1428	1419	1436	1440	1440	
160	1241	1267	1299	1326	1351	1385	1424	1442	1437	1443	1439	1437	
180	1264	1288	1319	1345	1372	1398	1433	1446	1441	1444	1443	1446	
200	1286	1309	1340	1367	1394	1404	1442	1444	1444	1444	1444	1444	3.5 m
220	1308	1332	1361	1387	1411	1415	1435	1444	1445	1445	1445	1445	
240	1331	1355	1381	1409	1431	1438	1445	1445	1445	1445	1445	1445	
260	1354	1377	1404	1430	1445	1446	1446	1446	1446	1446	1446	1446	
280	1377	1401	1425	1448	1448	1448	1448	1448	1448	1448	1448	1448	
300	1400	1422	1443	1443	1443	1443	1443	1443	1443	1443	1443	1443	
320	1400	1422	1443	1443	1443	1443	1443	1443	1443	1443	1443	1443	

As the data in the table may vary depending on the gate mechanism, they should be checked in advance.



Height (m)	Infill (%)					
3	100	100	90	80	60	40
2.5	100	100	100	90	70	50
2	100	100	100	100	90	70
1.5	100	100	100	100	100	90
1	100	100	100	100	100	100
0.5	100	100	100	100	100	100
Length (m)	1.5	2	2.5	3	3.5	4

Valid for B dimensions 320 mm and A dimensions 100 mm; recorded values for gate leaf thickness 50 mm and centre rotation point, based on the maximum given gate weight.





twist 350 set 1-leaf

- › twist 350 swing gate operator (can be used universally for DIN left and DIN right)
- › Post and gate leaf fitting
- › Control unit DTA-1 in housing (IP65), Dimensions: 250×175×75 mm
- › SOMup4 S2 radio receiver (FM 868.95 MHz SOMloq2, 40 radio memory positions), pluggable
- › Slot for Memo memory extension (450 radio commands)
- › Pearl Vibe 4-command handheld transmitter (# 4019V000) with noticeable feedback of radio commands via vibration
- › Transmitters can be programmed and deleted and information on the radio receiver viewed via the SOMlink S2 service interface.

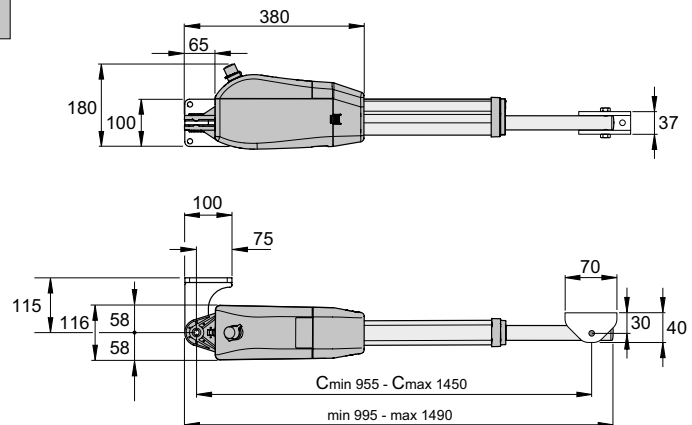
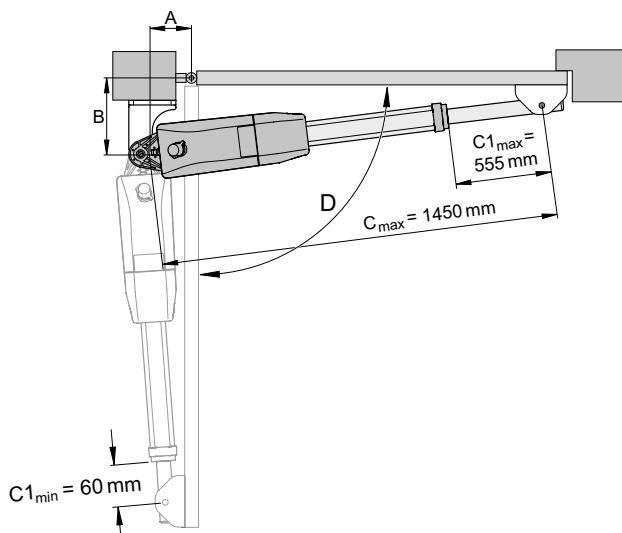
S11524-00001

twist 350 set 2-leaf

- › Two twist 350 swing gate operators (can be used universally for DIN left and DIN right)
- › Post and gate leaf fittings
- › Control unit DTA-1 in housing (IP65), Dimensions: 250×175×75 mm
- › SOMup4 S2 radio receiver (FM 868.95 MHz SOMloq2, 40 radio memory positions), pluggable
- › Slot for Memo memory extension (450 radio commands)
- › Pearl Vibe 4-command handheld transmitter (# 4019V000) with noticeable feedback of radio commands via vibration
- › Transmitters can be programmed and deleted and information on the radio receiver viewed via the SOMlink S2 service interface.

S11525-00001

Dimension drawing



Technical data

Type	twist 350
Max. gate leaf weight	700 kg
Max. gate leaf width	4,000 mm
Max. gate inclination	–
Max. gate inclination ¹⁾	100 %
Rated voltage	AC 220–240 V
Rated frequency	50/60Hz
Motor voltage	DC 24 V
Max. feed speed	18 mm/s

¹⁾ depending on the gate width and height

Type	twist 350
Max. opening angle	121°
Radio channels	2
Duty cycle	DC 40 % S3
IP code operator	IP44
IP code control unit	IP65
Min. temperature	–30 °C
Max. temperature	+70 °C

Matching accessories



Connecting cable set DTA

3271V000

Page 248



Screw connection

S10152-00001

Page 248



Electric lock

3205V003

Page 249



Cylinder for electric lock

5102V000

Page 249



Post fitting 60/210 L

S10751-00001

Page 256



Post fitting 60/210 R

S10755-00001

Page 256



Safeguard DTA
Anti-drop device

S13461-00001

Page 250

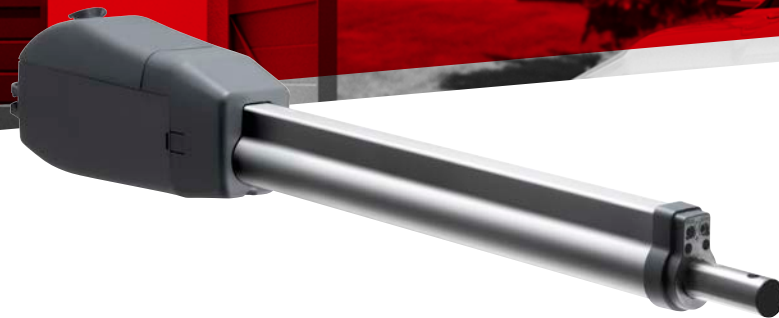


One-way photocell, can rotate 180°, 2-wire

S13494-00001

Page 213





twist 350 rapido

fast, faster, rapido.

- › Compared to the twist 350, the twist 350 rapido has an **up to 30 % higher feed speed** (max. 27 mm/s).
- › For swing gates with a gate wing width of up to 3 m and a gate wing weight of 300 kg¹⁾

Flexible



Safe and convenient emergency release system.

- › Can be used **universally for DIN left and DIN right**
- › **1- and 2-leaf operation** as well as mixed operation with twist 200 E/EL²⁾ and twist XL possible
- › Can also be used for closed gate fillings
- › With special fittings, also suitable for outward-opening gates
- › Microprocessor control unit with a wide variety of setting options, such as pedestrian leaf function, automatic closing of the gate, adjustable speed and pre-warning time, adjustable behaviour when encountering an obstacle (complete or partial reversion of the gate)
- › Interface to TorMinal programming device
- › Fast installation and easy electrical connection

Secure



Electronic limit stops with reed sensors ensure precise limit switching.

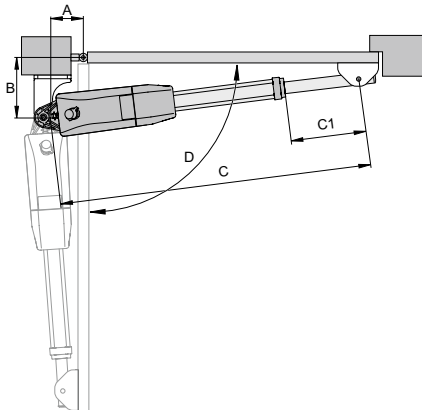
- › The patented **SOMMER braking system** makes the operator very durable – even in the event of extreme force effects of up to 2 tonnes, e.g. due to wind load or vandalism
- › Self-locking without electric lock up to 3.5 m
- › Accident prevention by means of electronically-regulated force measurement with DPS (Dynamic Power System)
- › Operator can be manually unlocked in any position (e.g. in the event of a power failure)
- › Connections for safety devices, such as warning light and photocell (2- and 4-wire) as well as for an external device (DC 24 V), potential-free relay contact

Innovative

- › Modern, elegant design
- › Controlled soft run in ramp form without power loss ensures movement which is easy on the gate



Before mounting, it is necessary to define the A/B dimensions. Without these dimensions, the operator cannot be correctly installed and operated.



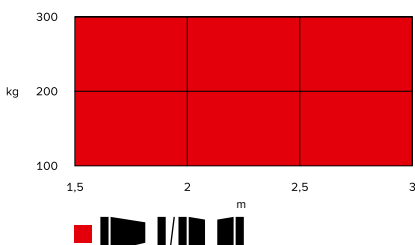
The dimensions (A+B) must be selected so that the desired opening angle (D) is reached. The specified opening angle is a reference value for the largest possible angle. For gate leaf widths greater than 2.5 m or full surface closed gates, the B dimension must be at least 200 mm.

The reference values in the table have been calculated based on the following data: Wind speed: 28.3 m/s; Gate height: 2.0 m; Gate width: 2.5 m; Gate filling: 35 % evenly distributed; without electric lock

- › The largest possible B dimension should always be selected. A large B dimension improves the power transmission from the operator to the gate. In addition, the operator is stressed less, which increases the service life.
- › The C dimension displays the entire length of the operator mounted on the closed gate.
- › The C1 dimension displays the stroke of the push rod with the operator mounted on the closed gate.

A	100	120	140	160	180	200	220	240	260	280	300	320	Max. gate leaf width without electric lock
B	1200	1234	1264	1292	1331	1371	1409	1411	1403	1424	1423	1430	
C	310	343	373	401	440	480	518	520	512	533	532	539	
D	92°	99°	103°	105°	111°	117°	121°	112°	104°	104°	100°	98°	
140	1222	1248	1280	1306	1339	1377	1416	1428	1419	1436	1440	1440	
160	1241	1267	1299	1326	1351	1385	1424	1442	1437	1443	1439	1437	
180	1264	1288	1319	1345	1372	1398	1433	1446	1441	1444	1443	1446	
200	1286	1309	1340	1367	1394	1404	1442	1444	1444	1444	1444	1444	3.5 m
220	1308	1332	1361	1387	1411	1415	1435	1444	1445	1445	1445	1445	
240	1331	1355	1381	1409	1431	1438	1445	1445	1445	1445	1445	1445	
260	1354	1377	1404	1430	1445	1446	1446	1446	1446	1446	1446	1446	
280	1377	1401	1425	1448	1448	1448	1448	1448	1448	1448	1448	1448	
300	1400	1422	1443	1443	1443	1443	1443	1443	1443	1443	1443	1443	
320	1400	1422	1443	1443	1443	1443	1443	1443	1443	1443	1443	1443	

As the data in the table may vary depending on the gate mechanism, they should be checked in advance.



Height (m)	Infill (%)			
3	100	100	90	80
2.5	100	100	100	90
2	100	100	100	100
1.5	100	100	100	100
1	100	100	100	100
0.5	100	100	100	100
Length (m)	1.5	2	2.5	3

Valid for B dimensions 320 mm and A dimensions 100 mm; recorded values for gate leaf thickness 50 mm and centre rotation point, based on the maximum given gate weight.

rapido **SOMloq2**



twist 350 rapido set 1-leaf

- › twist 350 rapido swing gate operator (can be used universally for DIN left and DIN right)
- › Post and gate leaf fitting
- › Control unit DTA-1 in housing (IP65), Dimensions: 250×175×75 mm
- › SOMup4 S2 radio receiver (FM 868.95 MHz SOMloq2, 40 radio memory positions), pluggable
- › Slot for Memo memory extension (450 radio commands)
- › Pearl Vibe 4-command handheld transmitter (# 4019V000) with noticeable feedback of radio commands via vibration
- › Transmitters can be programmed and deleted and information on the radio receiver viewed via the SOMlink S2 service interface.

S12712-00001

rapido **SOMloq2**

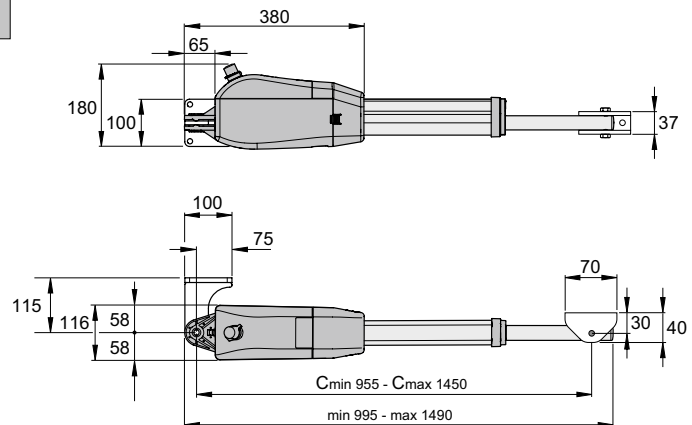
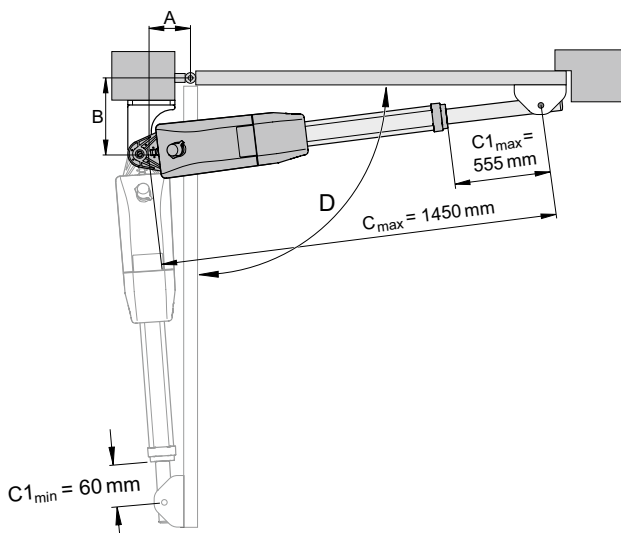


twist 350 rapido set 2-leaf

- › Two twist 350 rapido swing gate operators (can be used universally for DIN left and DIN right)
- › Post and gate leaf fittings
- › Control unit DTA-1 in housing (IP65), Dimensions: 250×175×75 mm
- › SOMup4 S2 radio receiver (FM 868.95 MHz SOMloq2, 40 radio memory positions), pluggable
- › Slot for Memo memory extension (450 radio commands)
- › Pearl Vibe 4-command handheld transmitter (# 4019V000) with noticeable feedback of radio commands via vibration
- › Transmitters can be programmed and deleted and information on the radio receiver viewed via the SOMlink S2 service interface.

S12713-00001

Dimension drawing



Technical data

Type	twist 350 rapido
Max. gate leaf weight	300 kg
Max. gate leaf width	3,000 mm
Max. gate inclination	–
Max. gate inclination ¹⁾	100 %
Rated voltage	AC 220–240 V
Rated frequency	50/60 Hz
Motor voltage	DC 24 V
Max. feed speed	27 mm/s

¹⁾ depending on the gate width and height

Type	twist 350 rapido
Max. opening angle	121°
Radio channels	2
Duty cycle	DC 40 % S3
IP code operator	IP44
IP code control unit	IP65
Min. temperature	–30 °C
Max. temperature	+70 °C

Matching accessories



Connecting cable set DTA

3271V000

Page 248



Screw connection

S10152-00001

Page 248



Electric lock

3205V003

Page 249



Cylinder for electric lock

5102V000

Page 249



Post fitting 60/210 L

S10751-00001

Page 256



Post fitting 60/210 R

S10755-00001

Page 256



Safeguard DTA
Anti-drop device

S13461-00001

Page 250

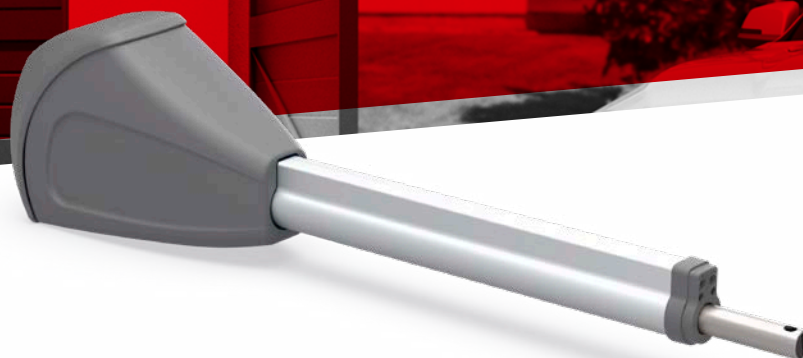


One-way photocell, can rotate 180°, 2-wire

S13494-00001

Page 213





twist XL

The powerhouse swing gate operator for gates with a gate leaf width of up to 7 m or a gate leaf weight of 1,100 kg

Flexible



Safe and convenient emergency release system.

- › Can be used universally for DIN left and DIN right
- › 1- and 2-leaf operation as well as mixed operation with twist 200 E/EL¹⁾ and twist 350 possible
- › Can also be used for closed gate fillings
- › With special fittings, also suitable for outward-opening gates
- › Microprocessor control unit with a wide variety of setting options, such as pedestrian leaf function, automatic closing of the gate, adjustable speed and pre-warning time, adjustable behaviour when encountering an obstacle (complete or partial reversion of the gate)
- › Interface to TorMinal programming device
- › Fast installation and easy electrical connection

Secure



Electronic limit stops with reed sensors ensure precise limit switching.

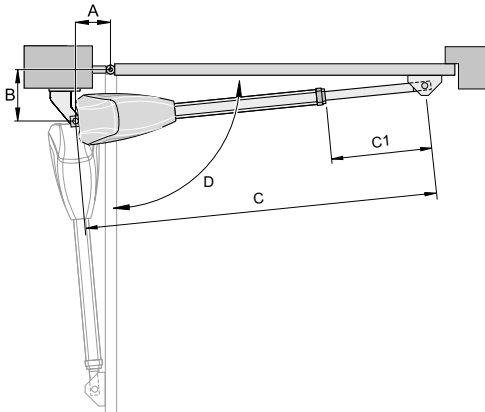
- › The patented SOMMER braking system makes the operator very durable – even in the event of extreme force effects of up to 3 tonnes, e.g. due to wind load or vandalism
- › Self-locking without electric lock (up to 5 m)
- › Accident prevention by means of electronically-regulated force measurement with DPS (Dynamic Power System)
- › Operator can be manually unlocked in any position (e.g. in the event of a power failure)
- › Connections for safety devices, such as warning light and photocell (2- and 4-wire) as well as for an external device (DC 24 V), potential-free relay contact

Innovative

- › Controlled soft run in ramp form without power loss
- › Spring-mounted threaded spindle ensures movement that is easy on the gate



Before mounting, it is necessary to define the A/B dimensions. Without these dimensions, the operator cannot be correctly installed and operated.



The dimensions (A+B) must be selected so that the desired opening angle (D) is reached. The specified opening angle is a reference value for the largest possible angle.

The reference values in the table have been calculated based on the following data: Wind speed: 28.3 m/s; Gate height: 2 m; Gate width: 2.5 m; Gate filling: 35 % evenly distributed; without electric lock

- › The largest possible B dimension should always be selected. A large B dimension improves the power transmission from the operator to the gate. In addition, the operator is stressed less, which increases the service life.
- › The C dimension displays the entire length of the operator mounted on the closed gate.
- › The C1 dimension displays the stroke of the push rod with the operator mounted on the closed gate.

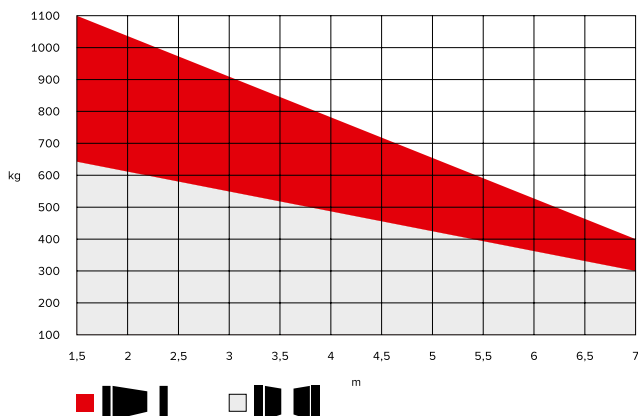
B	A		140		160		180		200		220		240		Max. gate leaf width without electric lock
	C	D	C1	D	C1	D	C1	D	C1	D	C1	D	C1		
160	1243	360	1273	391	1314	431	1360	477	1385	503	1385	501	3.5 m		
		91°		93°		102°		110°		110°		103°			
180	1265	382	1295	412	1335	452	1372	490	1384	501	1377	494	4.0 m		
		91°		95°		102°		108°		103°		96°			
200	1287	404	1317	434	1354	471	1383	500	1376	493	1385	502	4.5 m		
		91°		95°		101°		103°		95°		93°			
220	1306	423	1339	456	1373	490	1385	502	1385	502					
		90°		95°		100°		97°		92°					
240	1328	446	1361	478	1390	507	1386	503					5.0 m		
		90°		95°		98°		91°							
260	1351	468	1381	498	1390	507									
		90°		94°		91°									
280	1374	491													
		90°													
300	1397	514													
		90°													

White fields:
Installation range only for horizontal gates.

Red fields:
Installation range for horizontal **and** inclined gates.

Attention:
Inclined gates only with special fitting, max. leaf width 5.0 m, max. leaf weight 300 kg, max. inclination 10 %.

As the data in the table may vary depending on the gate mechanism, they should be checked in advance.



Height (m)	Infill (%)						
5	100	100	70	40	20	-	-
4	100	100	90	50	30	20	-
3	100	100	100	60	40	30	20
2	100	100	100	100	60	40	30
1	100	100	100	100	100	90	60
Length (m)	1.5	2	3	4	5	6	7

Valid for B dimensions 300 mm and A dimensions 140 mm; recorded values for gate leaf thickness 50 mm and centre rotation point, based on the maximum given gate weight.



twist XL single operator 1-leaf

- > twist XL swing gate operator, 1-leaf (can be used universally for DIN left and DIN right)
- > Post and gate leaf fitting
- > Please order control unit separately

3280V000

Control unit in housing for twist XL

- > For operators (DC 24 V) twist XL, twist 350 or twist 200 E/EL ¹⁾
- > DC 24 V, control unit is powered with 230 V
- > Control unit DTA-1 in housing (IP65), Dimensions: 250×175×75 mm
- > SOMup4 S2 radio receiver (FM 868.95 MHz SOMloq2, 40 radio memory positions), pluggable
- > Slot for Memo memory extension (450 radio commands)
- > Pearl Vibe 4-command handheld transmitter (#4019V000) with noticeable feedback of radio commands via vibration
- > Transmitters can be programmed and deleted and information on the radio receiver viewed via the SOMlink S2 service interface.

S11526-00001

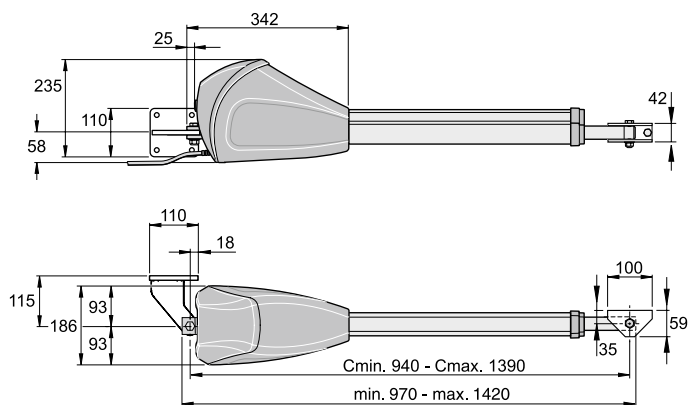
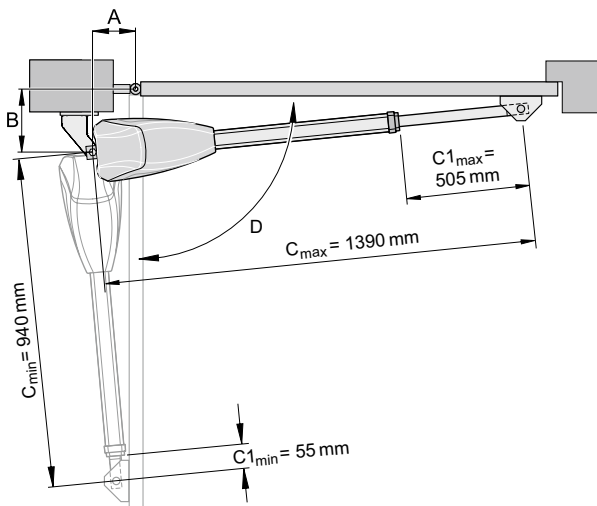
Control unit for twist XXL

- > For operators (DC 24 V) twist XL, twist 350 or twist 200 E/EL ¹⁾
- > Control unit is powered with 230 V
- > Control unit DTA-1 in large housing (IP67) with contact protection and pre-installed main switch, Dimensions: 362×255×165 mm
- > SOMup4 S2 radio receiver (FM 868.95 MHz SOMloq2, 40 radio memory positions), pluggable
- > Slot for Memo memory extension (450 radio commands)
- > Pearl Vibe 4-command handheld transmitter (#4019V000) with noticeable feedback of radio commands via vibration
- > Transmitters can be programmed and deleted and information on the radio receiver viewed via the SOMlink S2 service interface.

S11812-00001

¹⁾ twist 200 E/EL operators and twist 350/XL control units can only be operated in combination with the "twist XS" (# 3248V000) conversion set.

Dimension drawing



Technical data

Type	twist XL
Max. gate leaf weight	1,100 kg
Max. gate leaf width	7,000 mm
Max. gate inclination ¹⁾	10 %
Max. gate filling ²⁾	100 %
Rated voltage	AC 220–240 V
Rated frequency	50/60 Hz
Motor voltage	DC 24 V
Max. feed speed	20 mm/s

Type	twist XL
Max. opening angle	110°
Radio channels	2
Duty cycle	DC 40 % S3
IP code operator	IP44
IP code control unit	IP65
Min. temperature	-25 °C
Max. temperature	+70 °C

1) In combination with special fittings, complies with the standards and directives listed in the Declaration of incorporation, particularly DIN EN 13241. 2) Depending on the gate width and height.

Matching accessories



Connecting cable set DTA

3271V000

Page 248



Screw connection

S10152-00001

Page 248



Electric lock

3205V003

Page 249



Cylinder for electric lock

5102V000

Page 249



Gate post fitting 100/160 L

14514V005

Page 258



Gate post fitting 100/160 R

14514V006

Page 258



Safeguard DTA
Anti-drop device

S13461-00001

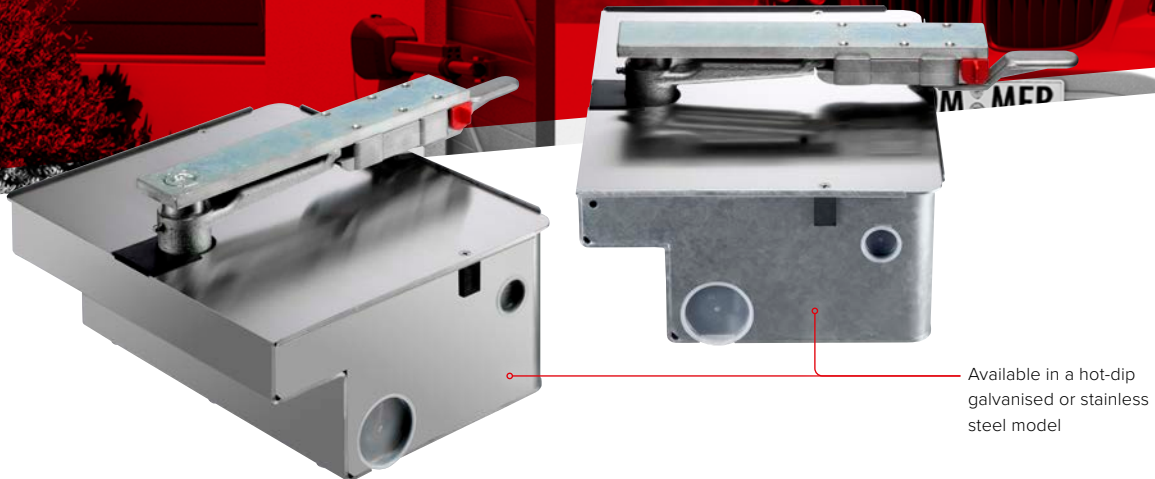
Page 250



One-way photocell, can rotate 180°, 2-wire

S13494-00001

Page 213



twist UG/twist UG⁺

Available in a hot-dip galvanised or stainless steel model

For swing gates where you don't want the operator to be visible

Flexible

- › 1- and 2-leaf operation possible
- › Fully or semi-automatic closing function. Shortening of the hold open time after driving through is possible.
- › Operator can be manually unlocked in any position. (E.g. in the event of a power failure)

Innovative

- › Gear-saving soft start and soft stop without loss of thrust thanks to electronic motor monitoring
- › Automatic learning process – Quick programming of end positions and operating forces with few reference drives
- › Versatile setting options and service information with the SOMlink S2 Service interface

Secure

- › Bidirectional SOMloq2 radio system (FM 868.95 MHz) for guaranteed convenience and secure encryption
- › Certified restriction of closing forces in acc. with EN 12453 by electronic motor monitoring
- › Lockable, mechanical emergency release
- › Integrated evaluation unit for safety contact strip
- › Optional safety devices can be integrated effortlessly (e.g. safety contact strip, photocell, electric gate leaf lock, warning light)

Quality

- › High-quality DC gear motor in cast aluminium housing with hall sensor
- › Environmentally friendly and cost-effective (uses <0.5 W in standby mode)
- › Weatherproof stainless steel housing



Battery pack in case of power failures



Expandable to 450 memory positions using optional Memo module.

Height (m)	Infill (%)			
1.8	50	30	20	20
1.5	60	40	30	20
1	90	60	40	30
Length (m)	2	2.5	3	3.5

Relation of gate surface to filling level.



In compliance with DIN EN 1991-1-4 Wind pressure, with values 32.3 m/s, wind zone 2 and 11 on the Beaufort scale.



Accu Ready 0.5 W Standby



Accu Ready 0.5 W Standby



Accu Ready 0.5 W Standby

twist UG set, 1-leaf DIN left

- > Underground swing gate operator
- > Control unit twist UG (IP67),
Dimensions: 350×200×140 mm
- > Radio receiver FM 868.95 MHz (SOMloq2)
- > Pearl Vibe 4-command handheld transmitter (# 4019V000) with noticeable feedback of radio commands via vibration

Stainless steel

S10603-00001

Hot-dip galvanised

S10904-00001

twist UG set 1-leaf DIN right

- > Underground swing gate operator
- > Control unit twist UG (IP67),
Dimensions: 350×200×140 mm
- > Radio receiver FM 868.95 MHz (SOMloq2)
- > Pearl Vibe 4-command handheld transmitter (# 4019V000) with noticeable feedback of radio commands via vibration

Stainless steel

S10604-00001

Hot-dip galvanised

S10905-00001

twist UG set 2-leaf

- > Two underground swing gate operators (DIN left and DIN right)
- > Control unit twist UG (IP67),
Dimensions: 350×200×140 mm
- > Radio receiver FM 868.95 MHz (SOMloq2)
- > Pearl Vibe 4-command handheld transmitter (# 4019V000) with noticeable feedback of radio commands via vibration
- > 12 m connecting cable set

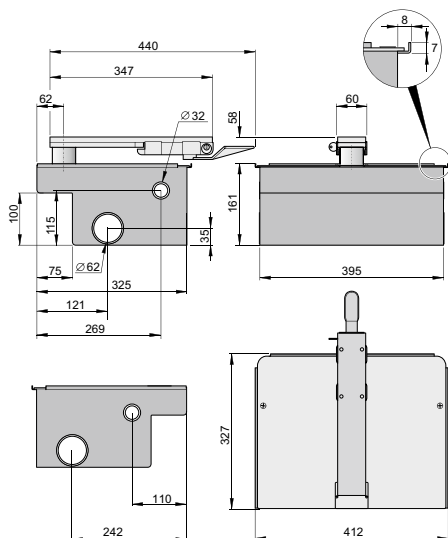
Stainless steel

S10605-00001

Hot-dip galvanised

S10906-00001

Dimension drawing



Technical data

Type	twist UG
Max. gate leaf weight ^{1) 2)}	350 kg
Max. gate leaf width ^{1) 2)}	3,500 mm
Max. gate inclination	–
Max. gate filling ³⁾	90 %
Rated voltage	AC 220–240 V
Rated frequency	50/60 Hz
Motor voltage	DC 24 V
Angular velocity	10 °/s

Type	twist UG
Max. opening angle	105°
Radio channels	4
Duty cycle	DC 40 % S3
IP code operator	IP67
IP code control unit	IP65
Min. temperature	–25 °C
Max. temperature	+65 °C

1) In compliance with the norms and standards listed in the Declaration of incorporation, particularly DIN EN 12453. 2) For wing lengths from 3 m and gate weights of 300 kg or more, active safety contact strips must be used. 3) depending on the gate width and height

Matching accessories



Connecting cable set DTA
3271V000
Page 248



One-way photocell, can rotate 180°, 2-wire
S13494-00001
Page 213



Electric lock
3205V003
Page 249



Cylinder for electric lock
5102V000
Page 249



Memo
Memory extension
10373
Page 204



Battery pack
Emergency power supply
5115V001
Page 228



Connection cable for battery pack, L = 380 mm
20466V001
Page 228



Safeguard DTA
Anti-drop device
S13461-00001
Page 250





Accu Ready 0.5 W Standby



Accu Ready 0.5 W Standby



Accu Ready 0.5 W Standby

twist UG⁺ set 1-leaf DIN left

- > Underground swing gate operator
- > Control unit twist UG⁺ (IP65),
Dimensions: 350×200×140 mm
- > Radio receiver FM 868.95 MHz (SOMloq2)
- > Pearl Vibe 4-command handheld transmitter (# 4019V000) with noticeable feedback of radio commands via vibration

Stainless steel

S12027-00001

Hot-dip galvanised

S12036-00001

twist UG⁺ set 1-leaf DIN right

- > Underground swing gate operator
- > Control unit twist UG⁺ (IP65),
Dimensions: 350×200×140 mm
- > Radio receiver FM 868.95 MHz (SOMloq2)
- > Pearl Vibe 4-command handheld transmitter (# 4019V000) with noticeable feedback of radio commands via vibration

Stainless steel

S12030-00001

Hot-dip galvanised

S12039-00001

twist UG⁺ set 2-leaf

- > Two underground swing gate operators (DIN left and DIN right)
- > Control unit twist UG⁺ (IP65),
Dimensions: 350×200×140 mm
- > Radio receiver FM 868.95 MHz (SOMloq2)
- > Pearl Vibe 4-command handheld transmitter (# 4019V000) with noticeable feedback of radio commands via vibration
- > 12 m connecting cable set

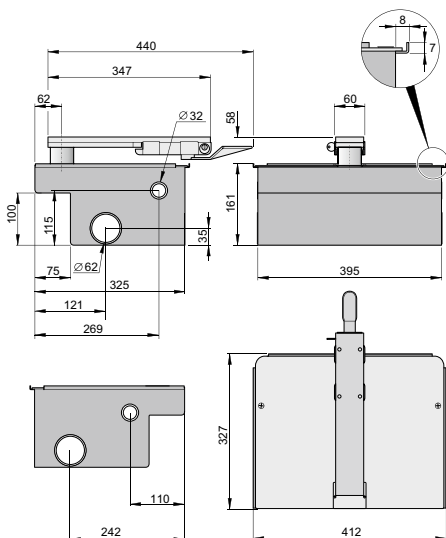
Stainless steel

S12033-00001

Hot-dip galvanised

S12042-00001

Dimension drawing



Technical data

Type	twist UG ⁺
Max. gate leaf weight ^{1) 2)}	600 kg
Max. gate leaf width ^{1) 2)}	3,500 mm
Max. gate inclination	–
Max. gate filling ³⁾	90 %
Rated voltage	AC 220–240 V
Rated frequency	50/60 Hz
Motor voltage	DC 24 V
Angular velocity	10 °/s

Type	twist UG ⁺
Max. opening angle	105°
Radio channels	4
Duty cycle	DC 40 % S3
IP code operator	IP67
IP code control unit	IP65
Min. temperature	–25 °C
Max. temperature	+65 °C

1) In compliance with the norms and standards listed in the Declaration of incorporation, particularly DIN EN 12453. 2) The use of active safety contact strips is mandatory in compliance with the norms and standards listed in the Declaration of incorporation, particularly DIN EN 13241. 3) depending on the gate width and height

Matching accessories



Connecting cable set DTA
3271V000
Page 248



One-way photocell, can rotate 180°, 2-wire
S13494-00001
Page 213



Electric lock
3205V003
Page 249



Cylinder for electric lock
5102V000
Page 249



Memo
Memory extension
10373
Page 204



Battery pack
Emergency power supply
5115V001
Page 228



Connection cable for battery pack, L = 380 mm
20466V001
Page 228



Safeguard DTA
Anti-drop device
S13461-00001
Page 250





twist AM

For swing gates with a gate leaf width of up to 2.5 m and a gate leaf weight of 250 kg

Flexible

- › 1- and 2-leaf operation possible
- › Fully or semi-automatic closing function. Shortening of the hold open time after driving through is possible.
- › The emergency release can also be triggered under full load (e.g. with pressure) with relatively low force
- › For gates with large posts (up to approx. 60 × 60 cm)

Innovative

- › The control unit and transformer are integrated in the operator – making it both compact and quiet
- › Automatic learning process – Quick programming of end positions and operating forces with few reference drives
- › Versatile setting options and service information with the SOMlink S2 Service interface

Secure

- › Bidirectional SOMloq2 radio system (FM 868.95 MHz) for guaranteed convenience and secure encryption
- › Certified restriction of closing forces in acc. with EN 12453 by electronic motor monitoring
- › Lockable, mechanical emergency release
- › Integrated evaluation unit for safety contact strip
- › Optional safety devices can be integrated effortlessly (e.g. safety contact strip, photocell, electric gate leaf lock, warning light)
- › Connection option for battery pack (in the event of power failure)

Quality

- › The high-quality DC gear motor with hall sensor ensures low wear and a long service life
- › Environmentally friendly and cost-effective (uses <0.5 W in standby mode)
- › Weatherproof housing



Expandable to 450 memory positions using optional Memo module.



The gate system is additionally secured with locking elements.



Emergency release



The following criteria must be met for mounting on the gate.
Post dimensions must be at least 25×25 cm. Material of the posts must have sufficient strength for the forces generated. The installation position of the fittings must be within the permitted values of the A/B/C/D-dimensions.

- › If the opening angles of the two gate leaves deviate, the A-/B-/C-/D-dimensions must be selected appropriately.
- › Safety distances must comply with the standard for the gate type
- › The intended installation surface on the post must be vertical and flat. The post fitting must be positioned flat during installation. Uneven areas or slopes must be flattened out before installation.



B	A		200		225		275		350		400					
	C	D	angle		angle		angle		angle		angle					
155		720	480	90°	695	480	100°	645	480	110°	570	480	120°	519	480	130°
200		715	480	90°												
250		705	480	90°												
300		694	480	90°												
350		678	480	90°												
400		660	480	90°												
450		639	480	90°												

As the data in the table may vary depending on the gate mechanism, they should be checked in advance.

Height (m)	Infill (%)				
2		100	80	40	30
1.5		100	100	60	40
1		100	100	80	50
Length (m)		1	1.5	2*	2.5*

Relation of gate surface to filling level.
* Use of an electric lock is recommended.

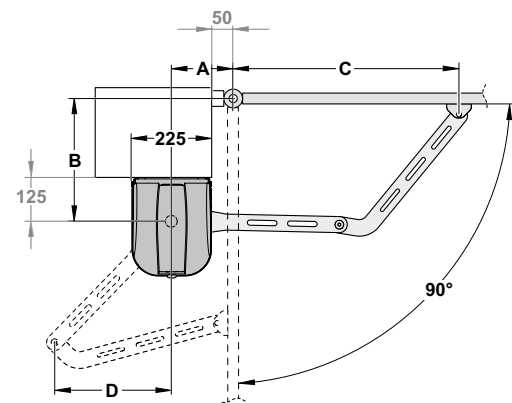


Fig. Dimensions A/B/C/D, opening angle 90°

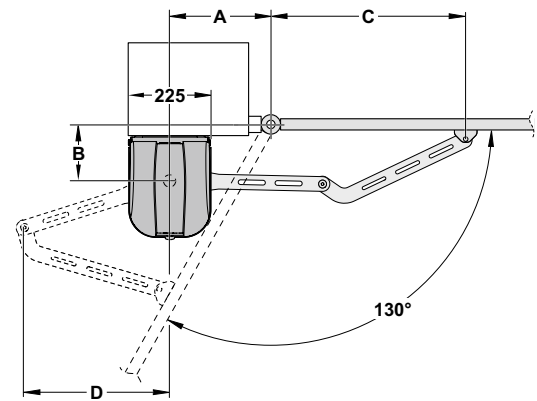


Fig. Dimensions A/B/C/D, opening angle 130°



Accu Ready 0.5 W Standby



Accu Ready 0.5 W Standby

twist AM set 1-leaf

- > 1× twist AM master operator with control unit
- > Radio receiver FM 868.95 MHz (SOMloq2)
- > Pearl Vibe 4-command handheld transmitter (# 4019V000) with noticeable feedback of radio commands via vibration
- > One-way photocell, can rotate 180°, 4-wire (# 7029V000)
- > Gate post fitting, galvanised steel
- > Gate leaf fitting, U-shaped, galvanised steel

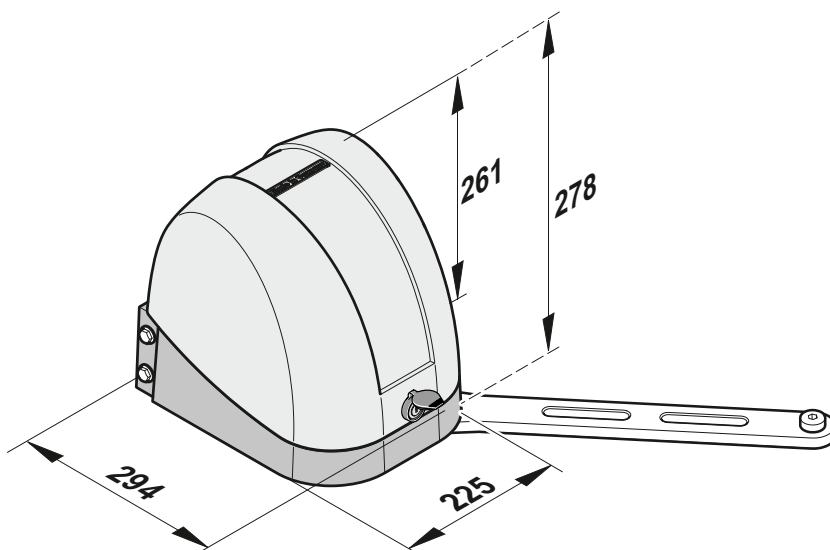
3734V000

twist UG set 2-leaf

- > 1× twist AM master operator with control unit and 1× twist AM slave operator
- > Radio receiver FM 868.95 MHz (SOMloq2)
- > Pearl Vibe 4-command handheld transmitter (# 4019V000) with noticeable feedback of radio commands via vibration
- > One-way photocell, can rotate 180°, 4-wire (# 7029V000)
- > 2× gate post fitting, galvanised steel
- > 2× gate leaf fitting, U-shaped, galvanised steel
- > 12 m connection cable

3735V000

Dimension drawing



Technical data

Type	twist AM
Max. gate leaf weight	250 kg
Max. gate leaf width	2,500 mm
Max. gate inclination	–
Max. gate inclination ¹⁾	100 %
Rated voltage	AC 220–240 V
Rated frequency	50/60 Hz
Motor voltage	DC 24 V

¹⁾ depending on the gate width and height

Type	twist AM
Max. feed speed	11 °/s
Max. opening angle	130°
Radio channels	4
Duty cycle	DC 15 % S3
IP code operator	IP44
Min. temperature	–25 °C
Max. temperature	+65 °C

Matching accessories



Connecting cable set DTA
3271V000
Page 248



One-way photocell, can rotate 180°, 2-wire
S13494-00001
Page 213



Electric lock
3205V003
Page 249



Cylinder for electric lock
5102V000
Page 249



Memo
Memory extension
10373
Page 204



Battery pack
Emergency power supply
5115V001
Page 228



Connection cable for battery pack, L = 380 mm
20466V001
Page 228



Safeguard DTA
Anti-drop device
S13461-00001
Page 250





Sliding gate operators



Sliding gate operators

Operators in comparison	94
STArter S2	96
SP 900	102
S 900	106
RUNner	110
GIGAslide	116
DS 600/DS 1200	120

Technical data

Type	STArter S2	STArter S2 ⁺	SP 900	S 900
Max. gate weight	300 kg	400 kg	400 kg	400 kg
Max. travel path	6,000 mm	8,000 mm	8,000 mm	8,000 mm
Max. gate inclination ¹⁾	–	–	3.5 % ¹⁾	3.5 % ¹⁾
Max. opening speed	190 mm/s	240 mm/s	285 mm/s	285 mm/s
Power consumption (standby)	3 W	3 W	0.5 W	0.5 W
Rated voltage	AC 220–240 V	AC 220–240 V	AC 220–240 V	AC 220–240 V
Rated frequency	50/60Hz	50/60Hz	50/60Hz	50/60Hz
Motor voltage	DC 24 V	DC 24 V	DC 24 V	DC 24 V
Min. temperature	–20 °C	–20 °C	–20 °C	–20 °C
Max. temperature	+50 °C	+50 °C	+60 °C	+60 °C

¹⁾ In compliance with the standards and directives listed in the Declaration of incorporation, particularly DIN EN 13241. The use of a radial damper is recommended. Taking into account the gate weight. For details, see installation instructions.

Functions

Type	STArter S2	STArter S2 ⁺	SP 900	S 900	RUNner	GIGAslide 1800	RUNner ⁺	DS 600	DS 1200
Control unit parametrisable	S	S	T	T	T	M	T	–	–
Pre-warning time adjustable	✓	✓	✓	✓	✓	✓	✓	✓	✓
Soft start/soft stop	✓	✓	✓	✓	✓	✓	✓	–	–
Adjustable safety connection	✓	✓	✓	✓	✓	✓	✓	✓	✓
Automatic closing	✓	✓	✓	✓	✓	✓	✓	✓	✓
Dead-man function	✓	✓	✓	✓	✓	✓	✓	✓	✓
Pulse mode, radio	✓	✓	✓	✓	✓	✓	✓	✓	✓
Defined OPEN/CLOSE, radio	✓	✓	✓	✓	✓	✓	✓	✓	✓
Partial opening, radio	✓	✓	✓	✓	✓	✓	✓	✓	✓
Pulse mode, button	✓	✓	✓	✓	✓	✓	✓	✓	✓
Defined OPEN/CLOSE, button	✓	✓	✓	✓	✓	✓	✓	✓	✓
Partial opening, button	✓	✓	✓	✓	✓	–	✓	✓	✓
Lighting function	✓	✓	✓	✓	✓	–	✓	✓	✓

T Terminal
 S SOMlink S2
 M Menu-guided

	RUNner	RUNner ⁺	GIGAslide 1800	DS 600	DS 1200
	600 kg	800 kg	1,800 kg	600 kg	1,200 kg
	8,000 mm	12,000 mm	14,000 mm	15,000 mm	20,000 mm
	–	5 % ¹⁾	–	5 %	5 %
	210 mm/s	190 mm/s	240 mm/s	220 mm/s	200 mm/s
	0.5 W	0.5 W	13 W	3.5 W	3.5 W
	AC 220–240 V	AC 220–240 V	AC 220–240 V	AC 400 V	AC 400 V
	50/60 Hz	50/60 Hz	50/60Hz	50 Hz	50 Hz
	DC 24 V	DC 24 V	DC 230 V	–	–
	–30 °C	–30 °C	–25 °C	–20 °C	–20 °C
	+50 °C	+50 °C	+65 °C	+50 °C	+50 °C



Connection options

Type	STArter S2	STArter S2 ⁺	SP 900	S 900	RUNner	RUNner ⁺	GIGAslide 1800	DS 600	DS 1200
Connection of 2-wire photocell	✓	✓	✓	✓	✓	✓	✓	✓	✓
Connection of 4-wire photocell	✓	✓	✓	✓	✓	✓	✓	✓	✓
Terminal for safety contact strip	✓	✓	✓	✓	✓	✓	✓	✓	✓
Number of safety inputs	2	2	2	2	2	2	9	2	2
Warning light connection	✓	✓	✓	✓	✓	✓	✓	✓	✓
Button connection	✓	✓	✓	✓	✓	✓	✓	–	–
Emergency STOP connection	✓	✓	✓	✓	✓	✓	✓	–	–
Emergency OFF connection	–	–	–	–	–	–	✓	✓	✓
DC output	✓	✓	✓	✓	✓	✓	✓	✓	✓
AC output	–	–	–	–	–	–	–	✓	✓
Floating relay contact	–	–	✓	✓	✓	✓	✓	–	–
Relay/Output OC slot	✓	✓	–	–	–	–	–	–	–
Battery pack slot	–	–	✓	✓	✓	✓	–	✓	✓
Memo slot	✓	✓	✓	✓	✓	✓	✓	–	–
Buzzer slot	✓	✓	–	–	–	–	–	–	–
Serial interface for Delta Dore X3D module or HomeLink radio receiver module	✓	✓	–	–	–	–	–	–	–
Connection for traffic light module/ two way traffic control	–	–	–	–	–	–	✓	–	–
Induction loop module connection	–	–	–	–	–	–	✓	–	–
Integrated timer input	✓	✓	✓	✓	✓	✓	–	–	–



STArter S2 / STArter S2⁺

Intelligent sliding gate operators with impressive travel dynamics

The intelligent sliding gate operators in the STArter S2 range are the ideal operators for small to medium-sized sliding gates. Their intelligent control unit offers a wide range of connection options. In addition to convenient operation via radio control system, they can be integrated into the Smart Home systems SOMweb and Delta Dore. Sliding gate operator STArter S2⁺ provides an added advantage when it comes to gate weight, movement range and speed.

The differences

STArter S2

- › Max. speed 190 mm/s
- › Max. movement range 6,000 mm
- › Max. gate weight 300 kg

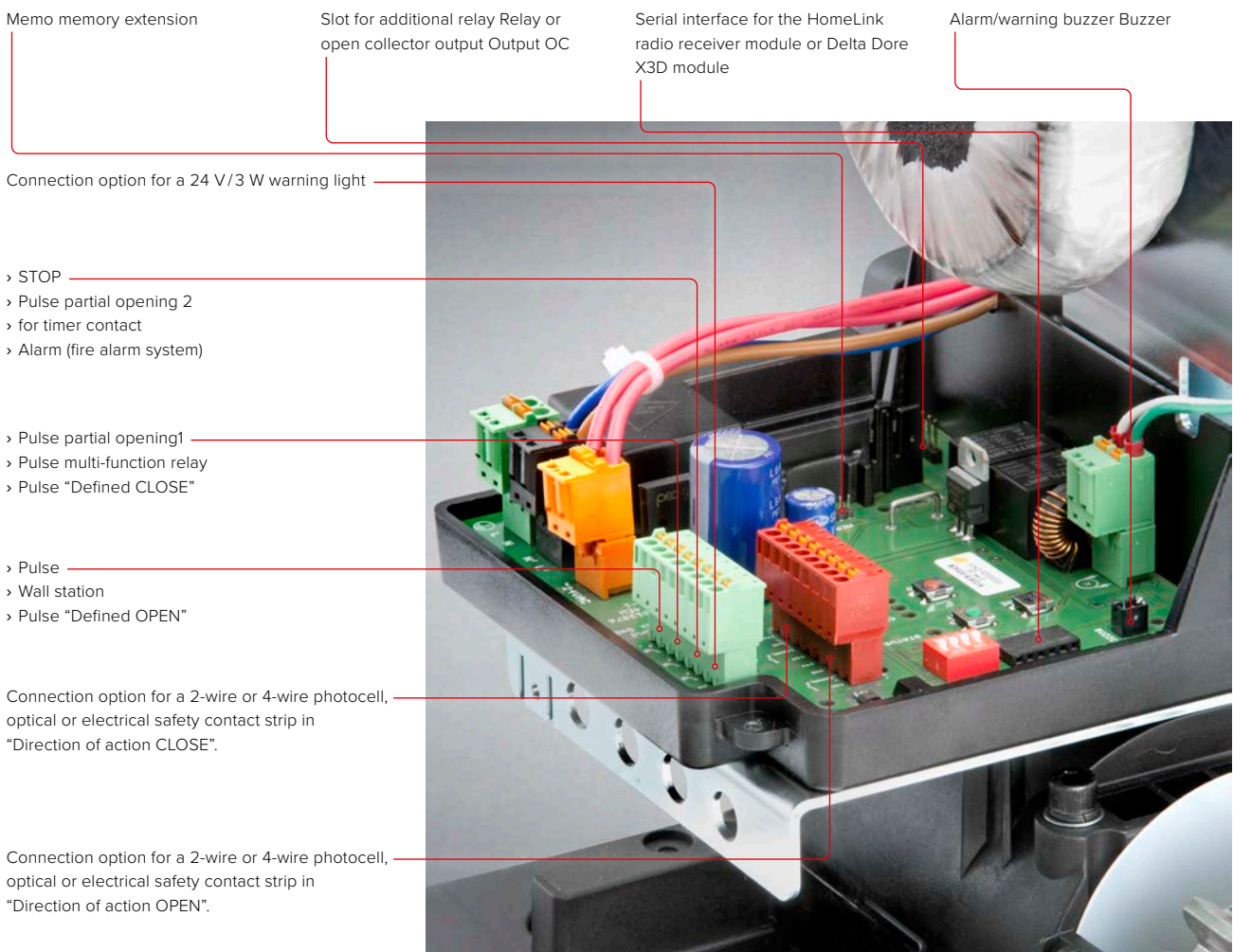


STArter S2⁺

- › Max. speed 240 mm/s
- › Max. movement range 8,000 mm
- › Max. gate weight 400 kg

Advantages

- › No active safety contact strip on the main closing edge necessary^{1) 2)}
- › Maintenance-free operator with long service life
- › High level of security through fully automatic force memory
- › 24 V technology with controlled soft run
- › Can be configured for automatic closing and partial opening
- › Motor control unit STA STArter S2 ST-C-1: integrated in the housing
- › Convenient connection via pluggable, colour-coded connecting terminals which cannot be interchanged
- › All inputs and outputs are equipped with status LEDs
- › Compatible with the SOMweb Smart Home solution
- › Serial interface for the Delta Dore X3D module or HomeLink radio receiver module
- › Bidirectional, secure SOMloq2 radio control system thanks to 128-bit AES encryption
- › Numerous accessories for expansion (e.g. Memo memory extension, Relay additional relay, Output OC open collector output)
- › Numerous setting and querying options via SOMlink
- › Manual unlocking: With sliding gate operators from SOMMER, the gate can be locked and unlocked easily in every position.
- › Rack: Plastic rack with steel core ensures smooth and quiet door operation
- › With all-purpose base plate for simple installation
- › Compact design
- › Resistant, corrosion-resistant



1) In compliance with the standards and directives listed in the Declaration of incorporation, particularly DIN EN 13241. 2) Does not apply to the STArter S2*.



STArter S2 set

- > STArter S2 sliding gate operator
- > Motor control unit with integrated radio receiver (FM 868.95 MHz SOMloq2, 40 radio memory positions)
- > Universal mounting base plate (H = 15 mm)
- > Pearl Vibe 4-command handheld transmitter (# 4019V000) with noticeable feedback of radio commands via vibration
- > 4 m plastic rack with steel core incl., mounting material (expandable to max. 6,000 mm)

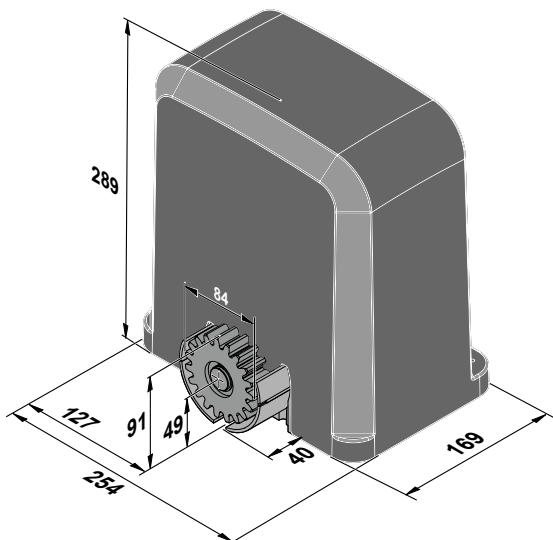
S12135-00001

STArter S2 single operator

- > STArter S2 sliding gate operator
- > Motor control unit with integrated radio receiver (FM 868.95 MHz SOMloq2, 40 radio memory positions)
- > Universal mounting base plate (H = 15 mm)

S12134-00001

Dimension drawing



Technical data

Type	STArter S2
Max. gate weight	300 kg
Max. travel path	6,000 mm
Max. gate inclination	–
Max. opening speed	190 mm/s
Power consumption (standby)	3 W
Motor safety device	✓
Rated voltage	AC 220–240 V
Rated frequency	50/60 Hz
Motor voltage	DC 24 V

Type	STArter S2
Integrated control unit	✓
Radio channels	4
Pulse inputs	3
Safety inputs	2
Duty cycle	DC 30 % S3
IP code operator	IP54
Min. temperature	–20 °C
Max. temperature	+50 °C
Gear teeth dimensions	Module 4 / 19 teeth



Matching accessories



Relay
Additional relay
7042V000
Page 206



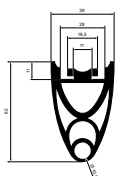
Output OC
Open collector output
S10854-00001
Page 206



Buzzer
Alarm/warning buzzer
7043V000
Page 205



Plastic rack with steel core
S11114-00001
Page 264



Rubber profile (passive), Type GP62
3677V000
Page 264



Aluminium C-rail length 1 m
S11847-00001
Page 263



Aluminium C-rail length 2 m
S11847-00002
Page 263



One-way photocell, can rotate 180°, 2-wire
S13494-00001
Page 213



STArter S2⁺ set

- > STArter S2⁺ sliding gate operator
- > Motor control unit with integrated radio receiver (FM 868.95 MHz SOMloq2, 40 radio memory positions)
- > Universal mounting base plate (H = 15 mm)
- > Pearl Vibe 4-command handheld transmitter (# 4019V000) with noticeable feedback of radio commands via vibration
- > 4 m plastic rack with steel core incl. mounting material (expandable to max. 8,000 mm)

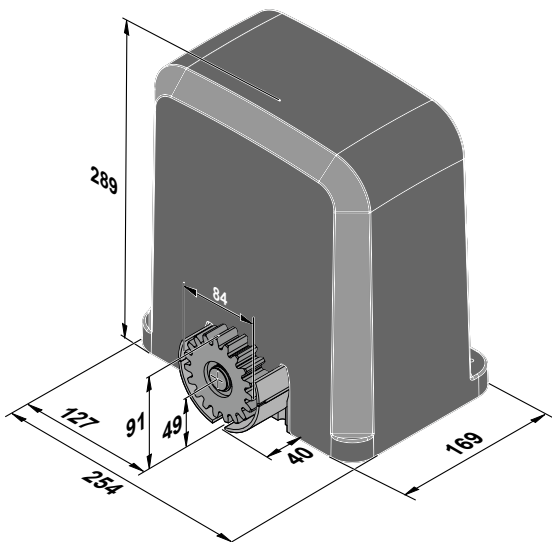
S12736-00001

STArter S2⁺ single operator

- > STArter S2⁺ sliding gate operator
- > Motor control unit with integrated radio receiver (FM 868.95 MHz SOMloq2, 40 radio memory positions)
- > Universal mounting base plate (H = 15 mm)

S12735-00001

Dimension drawing



Technical data

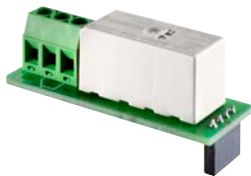
Type	STArter S2 ⁺
Max. gate weight	400 kg
Max. travel path	8,000 mm
Max. gate inclination	–
Max. opening speed	240 mm/s
Power consumption (standby)	3 W
Motor safety device	✓
Rated voltage	AC 220–240 V
Rated frequency	50/60 Hz
Motor voltage	DC 24 V

Type	STArter S2 ⁺
Integrated control unit	✓
Radio channels	4
Pulse inputs	3
Safety inputs	2
Duty cycle	DC 30 % S3
IP code operator	IP54
Min. temperature	–20 °C
Max. temperature	+50 °C
Gear teeth dimensions	Module 4/19 teeth

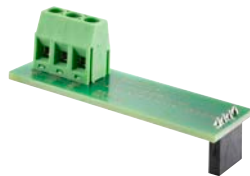


Active safety contact strips must be used on the main and auxiliary closing edges. Sliding gates must not be operated together with the STArter S2⁺ without active safety contact strips!

Matching accessories



Relay
Additional relay
7042V000
Page 206



Output OC
Open collector output
S10854-00001
Page 206



Buzzer
Alarm/warning buzzer
7043V000
Page 263



Plastic rack with steel core
S11114-00001
Page 264



Safety contact strip, electrical,
8.2 kOhm (H 45 mm)
S12379-00001
Page 220



End cap (H 45 mm)
S12380-00001
Page 220



End cap (H 45 mm)
S12381-00001
Page 220



Aluminium profile length 1 m
S11848-00001
Page 220

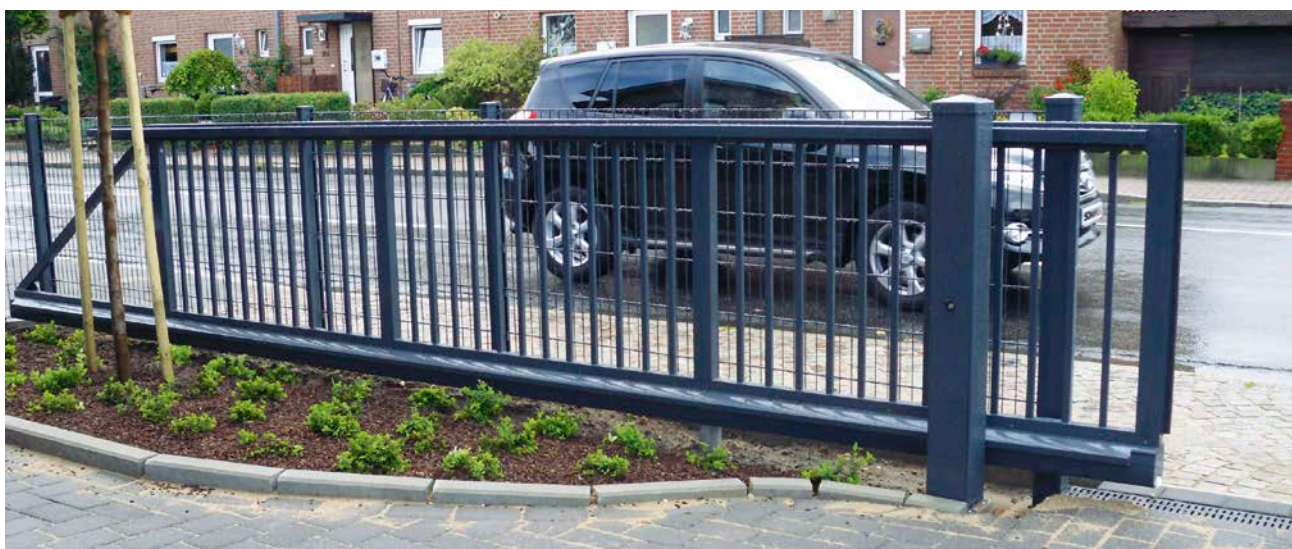




SP 900

The robust, invisible, post-interior sliding gate operator

The operator unit of the SP 900 is integrated into the post of the sliding gate. This makes the operator invisible and gives the sliding gate an uncluttered look. The SP 900 is flexible, rugged and also suitable for industrial door systems. For sliding gates with a movement range of up to 8 m and a gate weight of up to 400 kg.





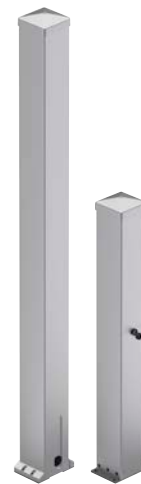
Advantages



- › No active safety contact strip on the main closing edge necessary¹⁾
- › Speed and additional parameters can be adjusted automatically to the gate size and gate weight
- › Integrated electric lock ensures high automatic self-locking
- › Suitable for gates with an inclination of up to 3.5 %¹⁾²⁾
- › Automatic detection of safety contact strips (8.2 kOhm or OSE) and photocells (2- and 4-wire)
- › Automatic and semi-automatic closing function can be set
- › Gate opening direction can be set with selection switch
- › Energy-saving ring core transformer is environmentally-friendly and saves money
- › Connection option for battery pack³⁾
- › Rigid construction thanks to real box profile; also ideal for high gate leaves
- › Dead-man function

2 packages = more flexibility:

- › Post and operator unit are supplied in two packages to ensure easy handling
- › No need to dismantle operators before painting



Operator unit SP 900

- > Motor unit
- > Control unit in housing
- > SOMup4 S2 radio receiver (FM 868.95 MHz SOMloq2, 40 radio memory positions), pluggable
- > Slot for Memo memory extension (450 radio commands)
- > Transmitters can be programmed and deleted and information on the radio receiver viewed via the SOMlink S2 service interface.

S11568-00001

Operator unit SP 900 with increased shaft adjustment range

- > Motor unit
- > Control unit in housing
- > SOMup4 S2 radio receiver (FM 868.95 MHz SOMloq2, 40 radio memory positions), pluggable
- > Slot for Memo memory extension (450 radio commands)
- > Transmitters can be programmed and deleted and information on the radio receiver viewed via the SOMlink S2 service interface.
- > Shaft with increased adjustment range for greater flexibility with individual solutions

40 mm adjustment range incl. shield

S11815-00001

50 mm adjustment range incl. shield

S11816-00001

100 mm adjustment range

S11817-00001

Post unit SP 900

- > Aluminium posts with post cover (raw material without surface finish)
- > Floor plate

1,500 mm

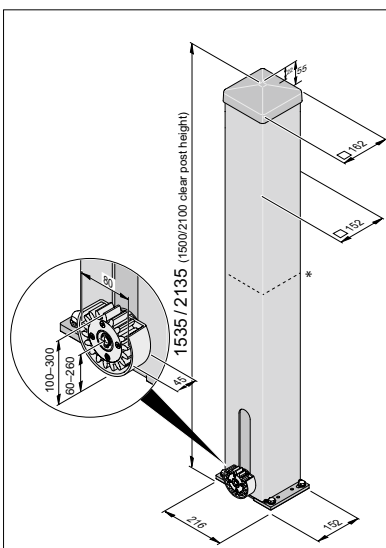
3712V000

2,100 mm

- > Clamping claws set

3710V000

Dimension drawing



Technical data

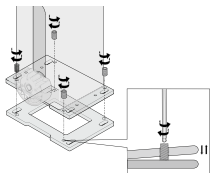
Type	SP 900
Max. gate weight	400 kg
Max. travel path	8,000 mm
Max. gate inclination ^{1,2)}	3.5 %
Max. opening speed	285 mm/s
Power consumption (standby)	0.5 W
Motor safety device	✓
Rated voltage	AC 220–240 V
Rated frequency	50/60 Hz
Motor voltage	DC 24 V
Integrated control unit	✓

Type	SP 900
Radio channels	4
Pulse inputs	6
Safety inputs	3
Duty cycle	DC 30 % S3
IP code operator	IP54
IP code control unit	IP64
Min. temperature	-20 °C
Max. temperature	+60 °C
Gear teeth dimensions	Module 4 / 18 teeth

1) With a maximum gate weight of 250 kg and in compliance with the standards and directives listed in the Declaration of Incorporation, particularly DIN EN 13241. 2) The use of a radial damper is recommended.



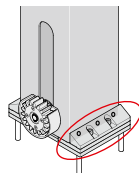
Matching accessories



Levelling plate in set

14038V000

Page 263



Clamping claws set

3701V000

Page 263



**Battery pack with connection cable
for battery pack length 780 mm**

Emergency power supply

S13681-00001

Page 228



Installation plate for SP 900

3707V000

Page 228



Plastic rack with steel core

S11114-00001

Page 264



**Safety contact strip, electrical,
8.2 kOhm (H 45 mm)**

S12379-00001

Page 220



End cap (H 45 mm)

S12380-00001

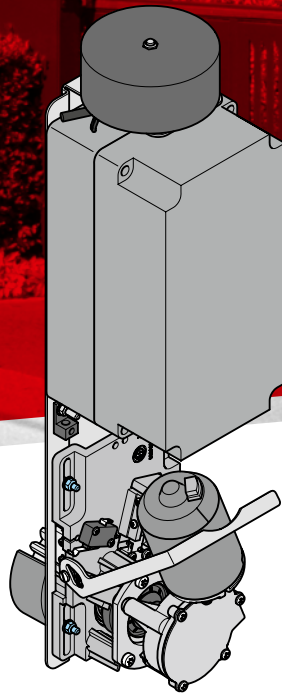
Page 220



End cap (H 45 mm)

S12381-00001

Page 220



S 900

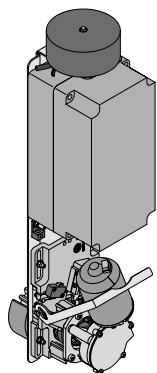
The robust, invisible sliding gate operator in a separate post

Installing the S 900 in a separate post allows you to benefit from all the advantages of the SP 900 in an individual design.

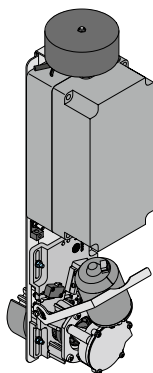


Advantages

- › Suitable for installation in third-party posts
- › Pre-mounted on an installation plate
- › No active safety contact strip on the main closing edge necessary¹⁾
- › Speed and additional parameters can be adjusted automatically to the gate size and gate weight
- › Integrated electric lock ensures high automatic self-locking
- › Suitable for gates with an inclination of up to 3.5 %¹⁾²⁾
- › Automatic detection of safety contact strips (8.2 kOhm or OSE) and photocells (2- and 4-wire)
- › Automatic and semi-automatic closing function can be set
- › Gate opening direction can be set with selection switch
- › Energy-saving ring core transformer is environmentally-friendly and saves money
- › Connection option for battery pack³⁾
- › Dead-man function



Accu Ready 0.5 W Standby



Accu Ready 0.5 W Standby



S 900 single operator

- > Motor unit
- > Control unit in housing
- > Radio receiver (FM 868.8 MHz Somloq Rollingcode), pluggable

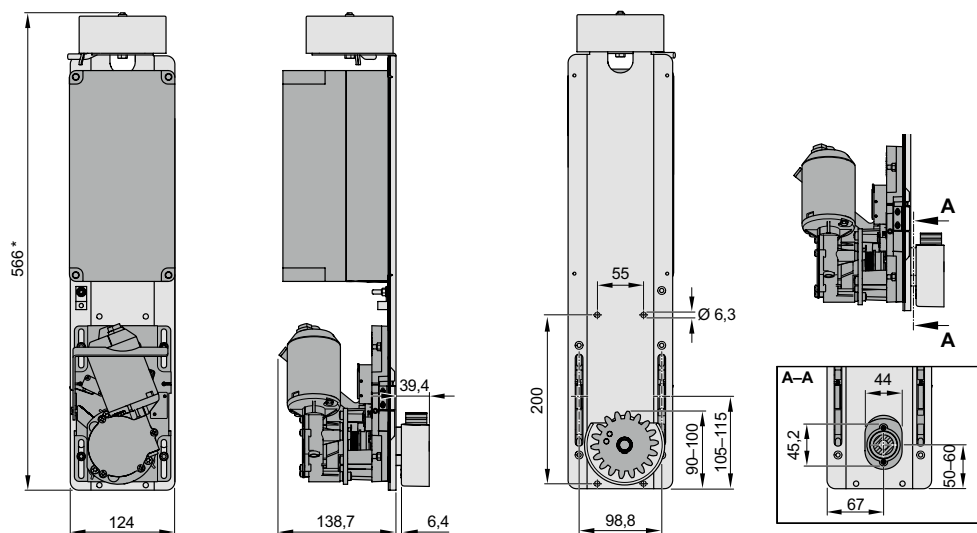
3702V000

S 900 single operator

- > Motor unit
- > Control unit in housing
- > SOMup4 S2 radio receiver (FM 868.95 MHz SOMloq2, 40 radio memory positions), pluggable
- > Slot for Memo memory extension (450 radio commands)
- > Transmitters can be programmed and deleted and information on the radio receiver viewed via the SOMlink S2 service interface.

S11569-00001

Dimension drawing



Technical data

Type	S 900	Type	S 900
Max. gate weight	400 kg	Integrated control unit	✓
Max. travel path	8,000 mm	Radio channels	4
Max. gate inclination ^{1,2)}	3.5 %	Pulse inputs	6
Max. opening speed	285 mm/s	Safety inputs	3
Power consumption (standby)	0.5 W	Duty cycle	DC 30 % S3
Motor safety device	✓	IP code control unit	IP64
Rated voltage	AC 220–240 V	Min. temperature	–20 °C
Rated frequency	50/60 Hz	Max. temperature	+60 °C
Motor voltage	DC 24 V	Gear teeth dimensions	Module 4 / 18 teeth

1) With a maximum gate weight of 250 kg and in compliance with the standards and directives listed in the Declaration of Incorporation, particularly DIN EN 13241. 2) The use of a radial damper is recommended.



Matching accessories



LED warning light

Warning light

S114V000

Page 227



One-way photocell, can rotate 180°, 2-wire

S13494-00001

Page 213



Battery pack with connection cable for battery pack length 780 mm

Emergency power supply

S13681-00001

Page 228



Installation plate for SP 900

3707V000

Page 228



Plastic rack with steel core

S1114-00001

Page 264



Safety contact strip, electrical, 8.2 kOhm (H 45 mm)

S12379-00001

Page 220



End cap (H 45 mm)

S12380-00001

Page 220



End cap (H 45 mm)

S12381-00001

Page 220



RUNner/RUNner⁺

The powerful sliding gate operators

The sliding gate operators in the RUNner range also fulfil the high requirements of industrial door systems. They are sturdy, resilient, corrosion-resistant, safe, reliable and quiet in operation. Compared to the RUNner, the RUNner⁺ has more power for a longer movement range, a greater gate weight and higher speed.



Emergency release

Advantages

- › No active safety contact strip on the main closing edge necessary¹⁾²⁾
- › Maintenance-free operator with long service life
- › High level of security through fully automatic force memory
- › 24 V technology with controlled soft run
- › Automatic detection of safety contact strips (8.2 kOhm or OSE) and photocells (2- and 4-wire)
- › Energy-saving ring core transformer is environmentally-friendly and saves money
- › Connection option for battery pack
- › Automatic or semi-automatic closing function from end position and partial opening possible; adjustable partial opening
- › Gate opening direction can be set with selection switch
- › Pre-warning function and dead-man operation



The differences





Accu Ready 0.5 W Standby



Accu Ready 0.5 W Standby



RUNner set

- > RUNner sliding gate operator
- > Motor control unit
- > SOMup4 S2 radio receiver (FM 868.95 MHz SOMloq2, 40 radio memory positions), pluggable
- > Slot for Memo memory extension (450 radio commands)
- > Transmitters can be programmed and deleted and information on the radio receiver viewed via the SOMlink S2 service interface.
- > Pearl Vibe 4-command handheld transmitter (# 4019V000) with noticeable feedback of radio commands via vibration
- > 4 m plastic rack with steel core incl. mounting material (expandable to max. 8,000 mm)

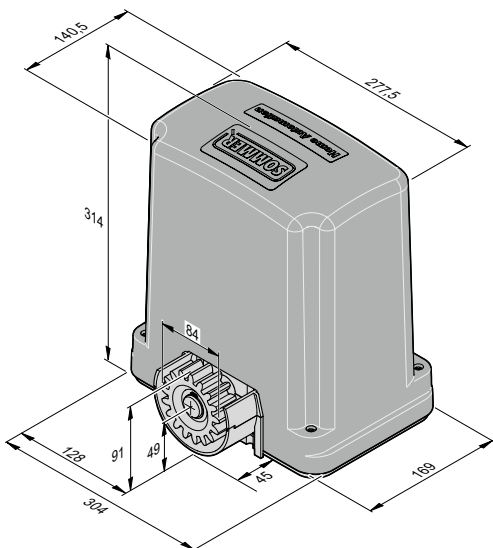
S11813-00001

RUNner single operator

- > RUNner sliding gate operator
- > Motor control unit
- > SOMup4 S2 radio receiver (FM 868.95 MHz SOMloq2, 40 radio memory positions), pluggable
- > Slot for Memo memory extension (450 radio commands)
- > Transmitters can be programmed and deleted and information on the radio receiver viewed via the SOMlink S2 service interface.

S11566-00001

Dimension drawing



Technical data

Type	RUNner
Max. gate weight	600 kg
Max. travel path	8,000 mm
Max. gate inclination	–
Max. opening speed	210 mm/s
Power consumption (standby)	0.5 W
Motor safety device	✓
Rated voltage	AC 220–240 V
Rated frequency	50/60 Hz
Motor voltage	DC 24 V

Type	RUNner
Integrated control unit	✓
Radio channels	4
Pulse inputs	6
Safety inputs	3
Duty cycle	DC 40 % S3
IP code operator	IP54
Min. temperature	–30 °C
Max. temperature	+50 °C
Gear teeth dimensions	Module 4 / 19 teeth



Matching accessories



LED warning light
Warning light
5114V000
Page 227



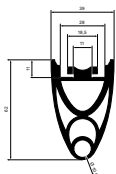
Battery pack
Emergency power supply
5115V001
Page 228



Connection cable for battery pack
length 780 mm
20466V000
Page 228



Plastic rack with steel core
S11114-00001
Page 264



Rubber profile (passive), Type GP62
3677V000
Page 264



Aluminium C-rail length 1 m
S11847-00001
Page 263



Aluminium C-rail length 2 m
S11847-00002
Page 263



One-way photocell, can rotate 180°, 2-wire
S13494-00001
Page 264



Accu Ready 0.5 W Standby



Accu Ready 0.5 W Standby



RUNner⁺ set

- > RUNner⁺ sliding gate operator
- > Motor control unit
- > SOMup4 S2 radio receiver (FM 868.95 MHz SOMloq2, 40 radio memory positions), pluggable
- > Slot for Memo memory extension (450 radio commands)
- > Transmitters can be programmed and deleted and information on the radio receiver viewed via the SOMlink S2 service interface.
- > Pearl Vibe 4-command handheld transmitter (# 4019V000) with noticeable feedback of radio commands via vibration
- > 4 m steel rack incl. mounting material (expandable to max. 12,000 mm)

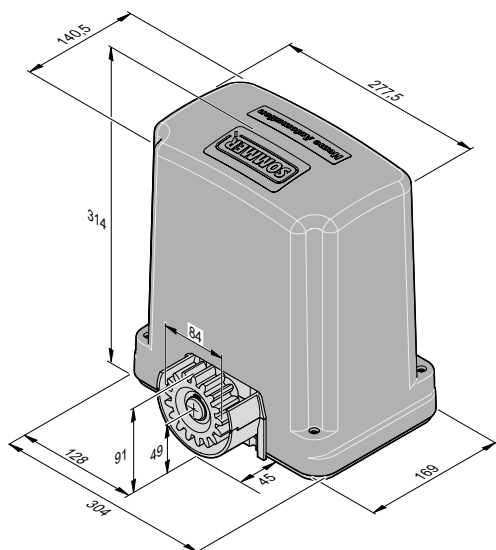
S11814-00001

RUNner⁺ single operator

- > RUNner⁺ sliding gate operator
- > Motor control unit
- > SOMup4 S2 radio receiver (FM 868.95 MHz SOMloq2, 40 radio memory positions), pluggable
- > Slot for Memo memory extension (450 radio commands)
- > Transmitters can be programmed and deleted and information on the radio receiver viewed via the SOMlink S2 service interface.

S11567-00001

Dimension drawing



Technical data

Type	RUNner ⁺
Max. gate weight	800 kg
Max. travel path	12,000 mm
Max. gate inclination ¹⁾²⁾	5 %
Max. opening speed	190 mm/s
Power consumption (standby)	0.5 W
Motor safety device	✓
Rated voltage	AC 220–240 V
Rated frequency	50/60 Hz
Motor voltage	DC 24 V

Type	RUNner ⁺
Integrated control unit	✓
Radio channels	4
Pulse inputs	6
safety inputs	3
Duty cycle	DC 40 % S3
IP code operator	IP54
Min. temperature	–30 °C
Max. temperature	+50 °C
Gear teeth dimensions	Module 4 / 19 teeth

1) With a maximum gate weight of 500 kg and in compliance with the standards and directives listed in the Declaration of Incorporation, particularly DIN EN 13241. 2) The use of a radial damper is recommended.



Active safety contact strips must be used on the main and auxiliary closing edges. Sliding gates must not be operated together with the RUNner⁺ without active safety contact strips! In the case of gates with a weight exceeding 600 kg, operation is only permissible with steel racks.

Matching accessories



LED warning light
Warning light
5114V000
Page 227



Radial damper for inclined gates up to 1,200 kg
5816V000
Page 265



Plastic rack with steel core
S1114-00001
Page 264



Steel rack (galvanised)
S12374-00001
Page 264



Safety contact strip, electrical, 8.2 kOhm, (H 65 mm)
S12382-00001
Page 221



End cap (H 65 mm)
S12383-00001
Page 221



End cap (H 65 mm)
S12384-00001
Page 221



Housing for connecting cable
50046
Page 222



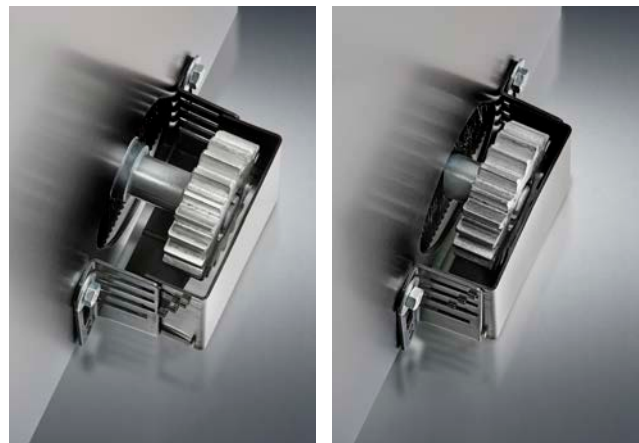


GIGAslide

The sliding gate operator for heavy gates

The GIGAslide sliding gate operator is ideal both for residential properties and industrial door systems. With a movement range of up to 14 m and a gate weight of 1800 kg, the operator offers versatile usage options for a widely varied range of requirements. In use here is an industrial door operator with integrated frequency converter and the GIGAcontrol A automatic control unit. The electric motor ensures long life and low-vibration and low-noise operation in all installation positions.

The shaft distance between pinion and operator can be adjusted in 4 steps. The shield can be adjusted to suit this.



MADE IN GERMANY

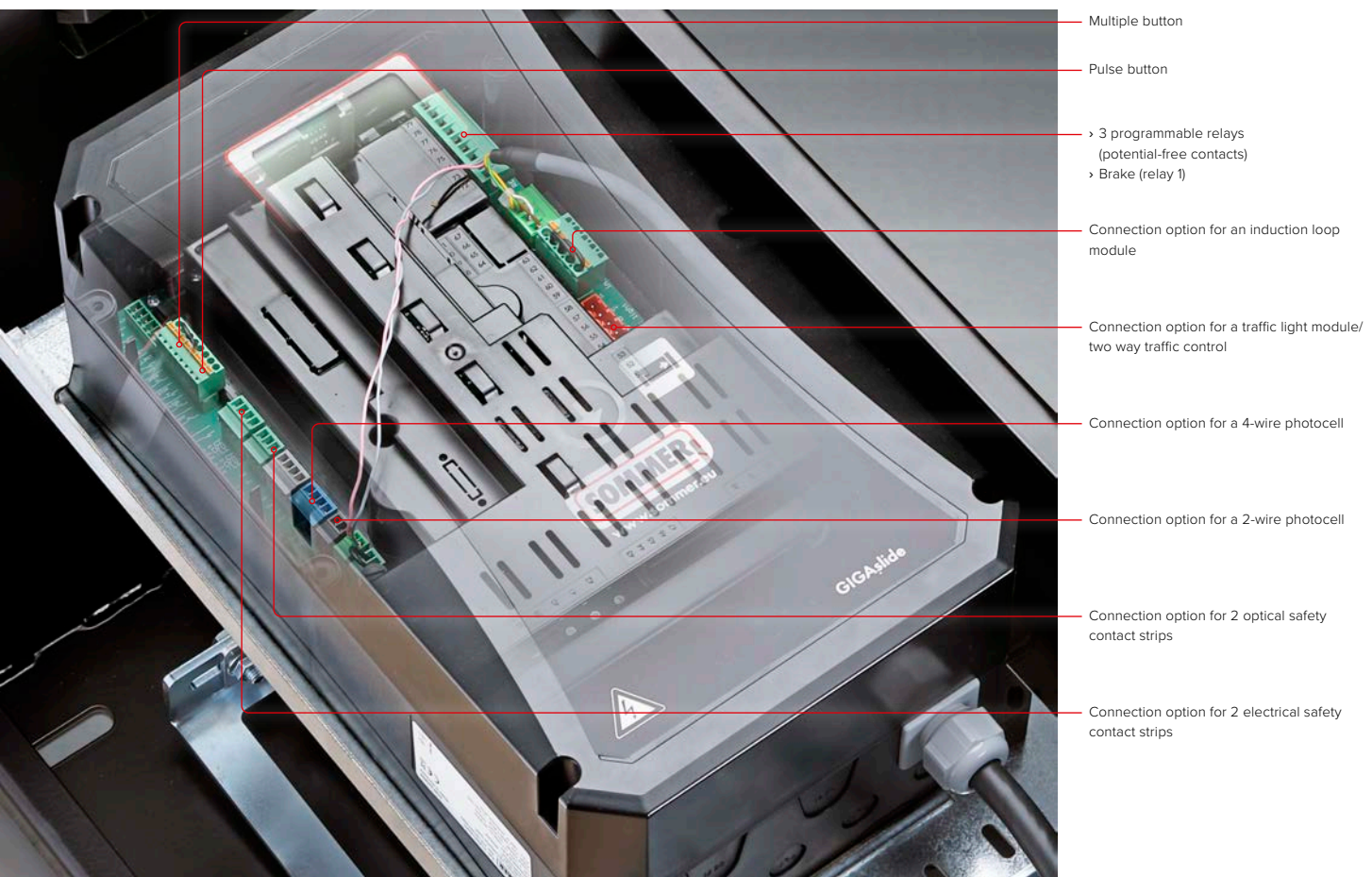


Advantages

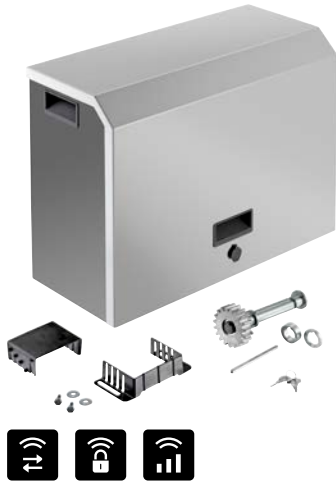
- › Handles on the side of the sliding gate operator Facilitate transport and handling on the building site.
- › Height adjustment of the pinion is integrated and carried out via a rotation point and a setscrew. The setting range is 30 mm.
- › The shaft distance between pinion and operator can be adjusted in 4 steps (40/46.7/53.3/60 mm).
- › Both the spacing and the height of the flexible shield on the pinion are adjustable.
- › Horizontal control unit means that the control unit and the control elements are easily accessible.
- › Bidirectional, secure SOMloq2 radio control system thanks to 128-bit AES encryption
- › The motor unit, including motor support, shaft and pinion, can be disassembled. There is a large opening on the rear side to accommodate the pinion.
- › The cable inlet in the underside has a diameter of 105 mm and offers plenty of space for routing of the cables.
- › External accessories can be mounted on a top hat rail.



The height of the operator shaft of the GIGAslide can be adjusted by up to 30 mm.



- Multiple button
- Pulse button
- › 3 programmable relays (potential-free contacts)
- › Brake (relay 1)
- Connection option for an induction loop module
- Connection option for a traffic light module/ two way traffic control
- Connection option for a 4-wire photocell
- Connection option for a 2-wire photocell
- Connection option for 2 optical safety contact strips
- Connection option for 2 electrical safety contact strips

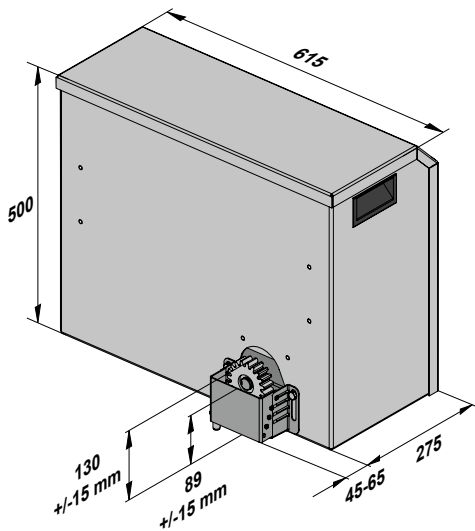


GIGAslide 1800 single operator **NEW**

- > Sliding gate operator
- > Motor control unit
- > SOMup4 S2 radio receiver (FM 868.95 MHz SOMloq2, 40 radio memory positions), pluggable
- > Slot for Memo memory extension (450 radio commands)

S13519-00001

Dimension drawing



Technical data

Type	GIGAslide 1800
Max. gate weight	1,800 kg
Max. travel path	14,000 mm
Max. gate inclination	–
Max. opening speed	240 mm/s
Power consumption (standby)	13 W
Motor safety device	✓
Rated voltage	AC 220–240 V
Rated frequency	50/60 Hz
Motor voltage	DC 230 V
Integrated control unit	✓

Type	GIGAslide 1800
Radio channels	4
Pulse inputs	4
safety inputs	9
Duty cycle	DC 40 % S3
IP code operator	IP44
IP code control unit	IP54
IP code motor	IP54
Min. temperature	–25 °C
Max. temperature	+65 °C
Gear teeth dimensions	Module 4/19 teeth



Active safety contact strips must be used on the main and auxiliary closing edges. Sliding gates must not be operated together with the GIGAslide without active safety contact strips! In the case of gates with a weight exceeding 600 kg, operation is only permissible with steel racks.

Matching accessories



Steel rack (galvanised)

S12374-00001

Page 264



GIGAslide extraction tool set

S13749-00000

Page 266



Safety contact strip, electrical, 8.2 kOhm (H 85 mm)

S12385-00001

Page 221



End cap (H 85 mm)

S12386-00001

Page 221



End cap (H 85 mm)

S12387-00001

Page 222



Housing for connecting cable

50046

Page 220



One-way photocell, can rotate 180°, 4-wire

7029V000

Page 213

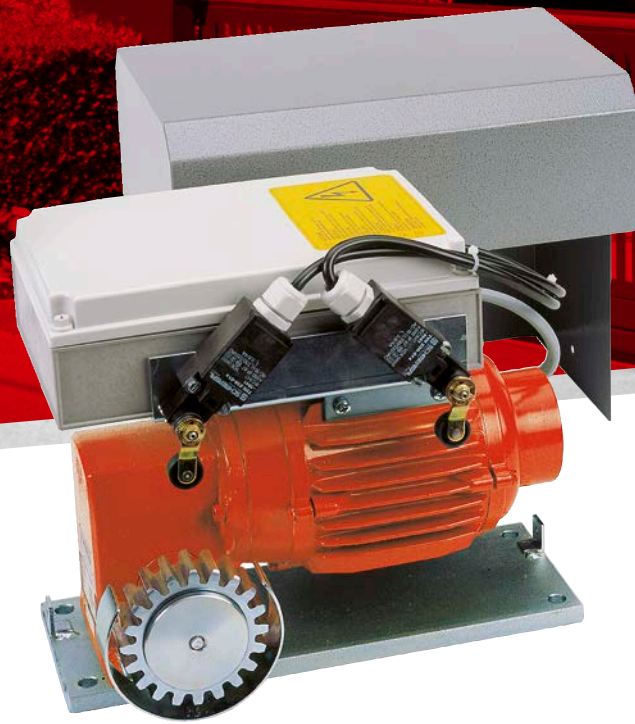


Memo
Memory extension

10373

Page 204





DS 600 / DS 1200

Our strongest sliding gate operators

The DS 600 and DS 1200 sliding gate operators are the strongest in the SOMMER portfolio. The smaller DS 600 can move sliding gates with a weight of up to 600 kg and a movement range of up to 15 metres. The DS 1200 is suitable for particularly heavy sliding gates with a movement range of up to 20 m and a gate weight of 1200 kg.



Advantages

- › Ideal for heavy gates, particularly if used on commercial sites
- › Reliable and robust operator (IP44) with high-performance gear motor
- › Control unit with numerous additional functions, e.g. dead man operation
- › Connection options e.g. for emergency stop, warning light, photocell and safety contact strips

The differences

DS 600

- › Max. speed 220 mm/s
- › Max. movement range 15,000 mm
- › Max. gate weight 600 kg



DS 1200

- › Max. speed 200 mm/s
- › Max. movement range 20,000 mm
- › Max. gate weight 1200 kg



DS 600

- > DS 600 sliding gate operator
- > Motor control unit ACM 400 S
- > Prepared for radio receiver, 4-channel (#7000V000)

3408V000

DS 1200

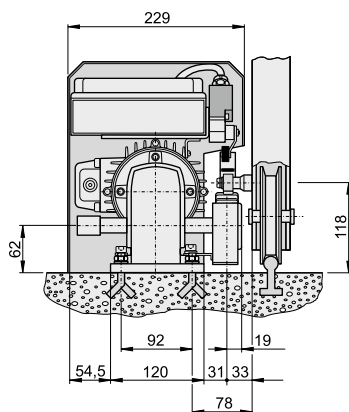
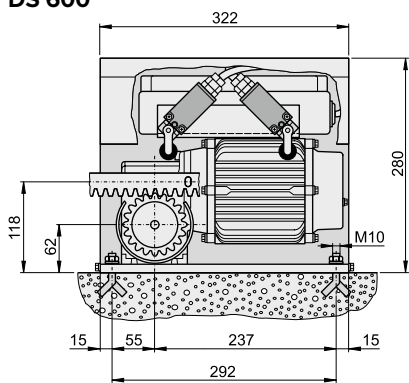
- > DS 1200 sliding gate operator
- > Motor control unit ACM 400 S
- > Prepared for radio receiver, 4-channel (#7000V000)

3409V000

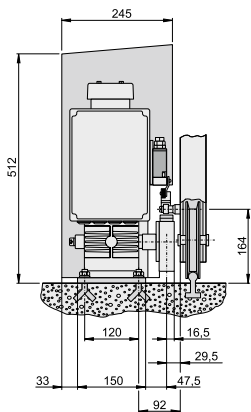
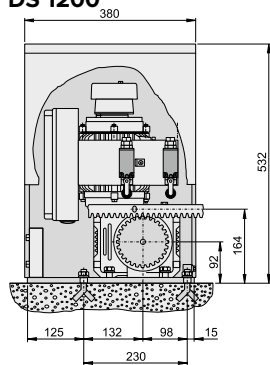


Dimension drawing

DS 600



DS 1200



Technical data

Type	DS 600	DS 1200
Max. gate weight	600 kg	1,200 kg
Max. travel path	15,000 mm	20,000 mm
Max. gate inclination ^{1) 2)}	5 %	5 %
Max. opening speed	220 mm/s	200 mm/s
Power consumption (standby)	3.5 W	3.5 W
Motor safety device	–	–
Rated voltage	AC 400 V	AC 400 V
Rated frequency	50 Hz	50 Hz
Motor voltage	DC 24 V	DC 24 V
Integrated control unit	–	–
Radio channels	2	2
Pulse inputs	3	3
Safety inputs	6	6
Duty cycle	DC 40 % S3	DC 40 % S3
IP code operator	IP44	IP44
IP code control unit	IP65	IP65
Min. temperature	–20 °C	–20 °C
Max. temperature	+50 °C	+50 °C
Gear teeth dimensions	Module 4 / 20 teeth	Module 4 / 20 teeth

1) In compliance with the standards and directives listed in the Declaration of incorporation, particularly DIN EN 13241. 2) The use of a radial damper is recommended.



Active safety contact strips must be used on the main and auxiliary closing edges. Sliding gates must not be operated together with the DS 600 or DS 1200 without active safety contact strips! In the case of gates with a weight exceeding 600 kg, operation is only permissible with steel racks.

Matching accessories



Steel rack (galvanised)

S12374-00001

Page 264



Control cam for steel rack

5805

Page 265



Attenuator for inclined gates up to 600 kg

5815V000

Page 265



Radial damper for inclined gates up to 1,200 kg

5816V000

Page 265



Motor protection switch 0.63–1.0 A (for DS 600)

S12984-00001

Page 265



Motor protection switch 1.6–2.5 A (for DS 1200)

S12985-00001

Page 265



Safety contact strip, electrical, 8.2 kOhm (H 85 mm)

S12385-00001

Page 221



One-way photocell, can rotate 180°, 4-wire

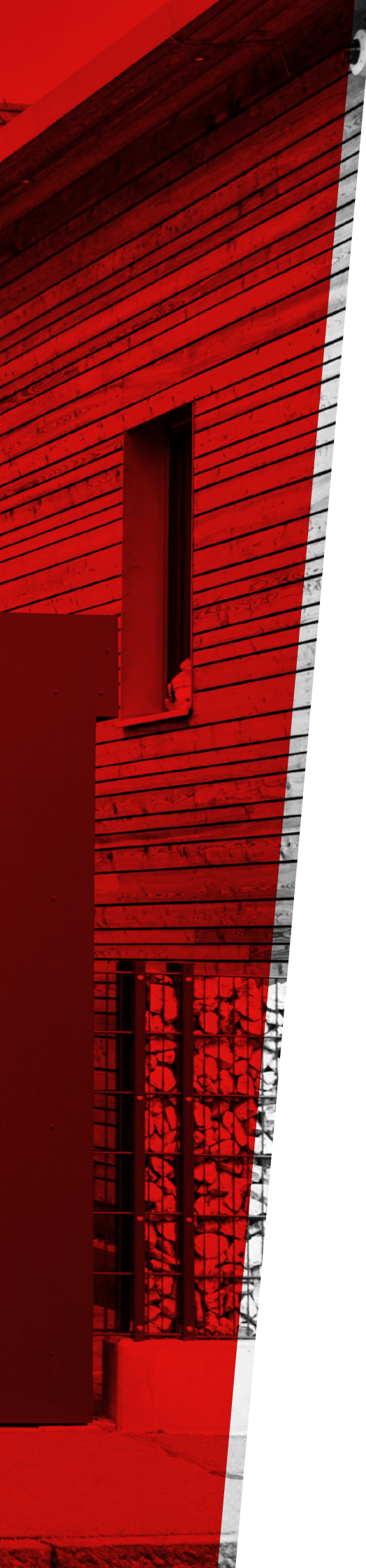
7029V000

Page 213



Roller door control unit





Roller door control unit

RDC Vision ⁺	126
-------------------------------	-----



RDC Vision⁺

The optimum way to control roller doors

Quality

- › Universal roller door control unit for tubular motors up to 1,000 W, AC 230 V.
- › Integrated LED technology: durable, energy-saving and efficient lighting
- › Made in Germany

Safety

- › TÜV type-tested certification
- › Standard-compliant safety switch-off in acc. with Category 2, PLd
- › Bidirectional, secure radio system SOMloq2 thanks to 128-bit AES encryption
- › Integrated evaluation of optical or electrical safety contact strips
- › Convenient connection via pluggable connecting terminals which cannot be interchanged

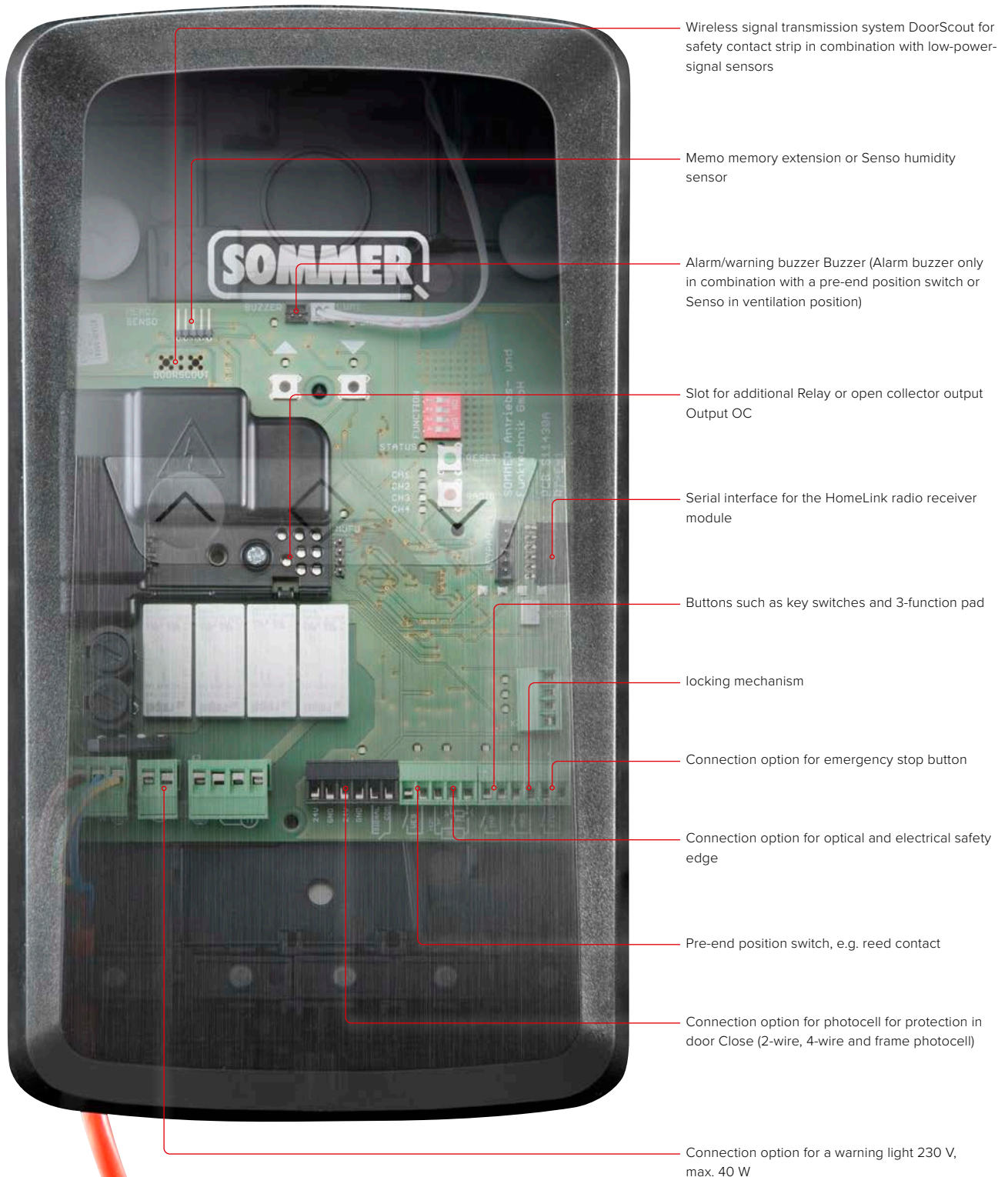
Versatility

- › Defined "OPEN", "STOP" and "CLOSE" activation via radio, external or integrated 3-function pad
- › Lighting can be activated by radio
- › Transmitter can be deleted selectively
- › Suitable for private and commercial use

Intelligence

- › Fully automated learning process for run times
- › Countless setting and querying options via SOMlink S2 service interface or DIP switch, for example automatic closing, partial opening, service interval and door cycles.
- › Disabling of the roller door in combination with a frame photocell
- › Simple and quick diagnosis via integrated LEDs on the connecting terminals and slots

Connection options





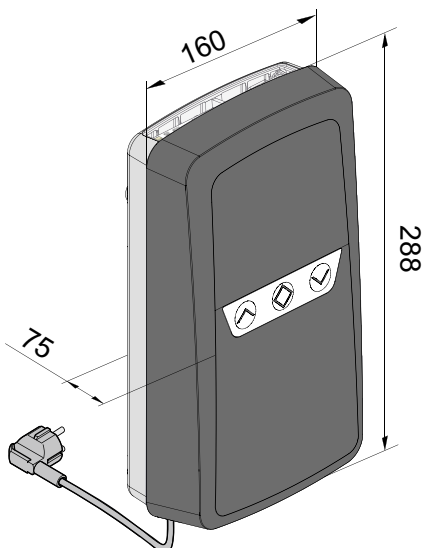
RDC Vision⁺

- > Universal roller door control unit for tubular motors up to 1,000 W, AC 230 V
- > integrated radio receiver (FM 868.95 MHz SOMloq2, 40 radio memory positions)
- > integrated 3-way button
- > LED lighting
- > Dimensions: 288 × 160 × 75 mm
- > Degree of protection IP21



S11456-00001

Dimension drawing



Technical data

Type	RDC Vision ⁺
Radio control system	SOMloq2
Radio frequency	FM 868.95 MHz
Radio memory positions	40
Rated voltage	AC 220–240 V
Rated frequency	50/60 Hz
IP code	IP21
Min. temperature	–25 °C
Max. temperature	+65 °C
Dimensions	288 × 160 × 75 mm



Matching accessories



RDC Vision⁺ connection set

S10848-00003

Page 219



Memo

Memory extension

10373

Page 204



Senso

Humidity sensor

10371

Page 204

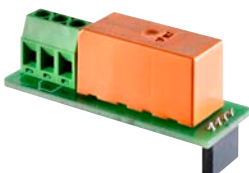


Buzzer

Alarm/warning buzzer

7043V000

Page 205



Relay

Additional relay

7042V000

Page 206



Output OC

Open collector output

S10854-00001

Page 206



Frame photocell, 2-wire

Photocell

S10929-00001

Page 213



Pearl Twin

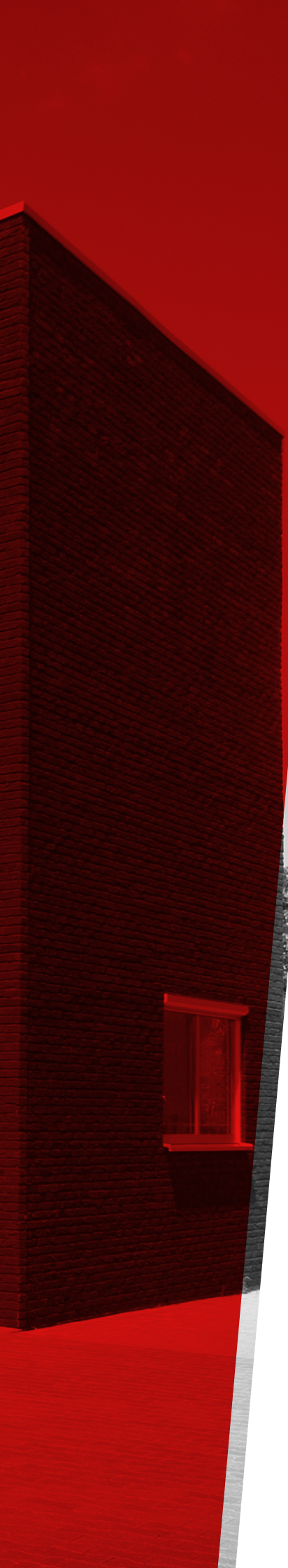
2-command handheld transmitter

S10019-00001

Page 156



Barriers



Barriers

Barrier body	132
ASB aluminium	134
ASB steel	136
Booms	138



Barriers

Robust and versatile



The integrated shaft for a battery pack allows quick and easy installation.

Economic installation

Thanks to Plug & Go, installation consists only of set-up and connection.

Flexible adjustment

The boom can be shortened on-site to the exact dimensions. This allows for customised production directly at the construction site.

Safety due to obstacle detection

The operating forces of the booms are certified to EN 12453. The automatic obstacle detection provides additional safety. The boom opens automatically if an obstacle is encountered; this ensures that vehicles will not be trapped.

Connections for safety accessories

All connections for safety-relevant accessories are already present.

Convenience

As we can supply both left- and right-closing booms, here, too, no adaptation is necessary during installation.

Emergency release in the event of power failure

In the event of a power failure, the mechanical emergency release can be activated to open or close the barrier. Alternatively, emergency operation via a battery pack is possible.



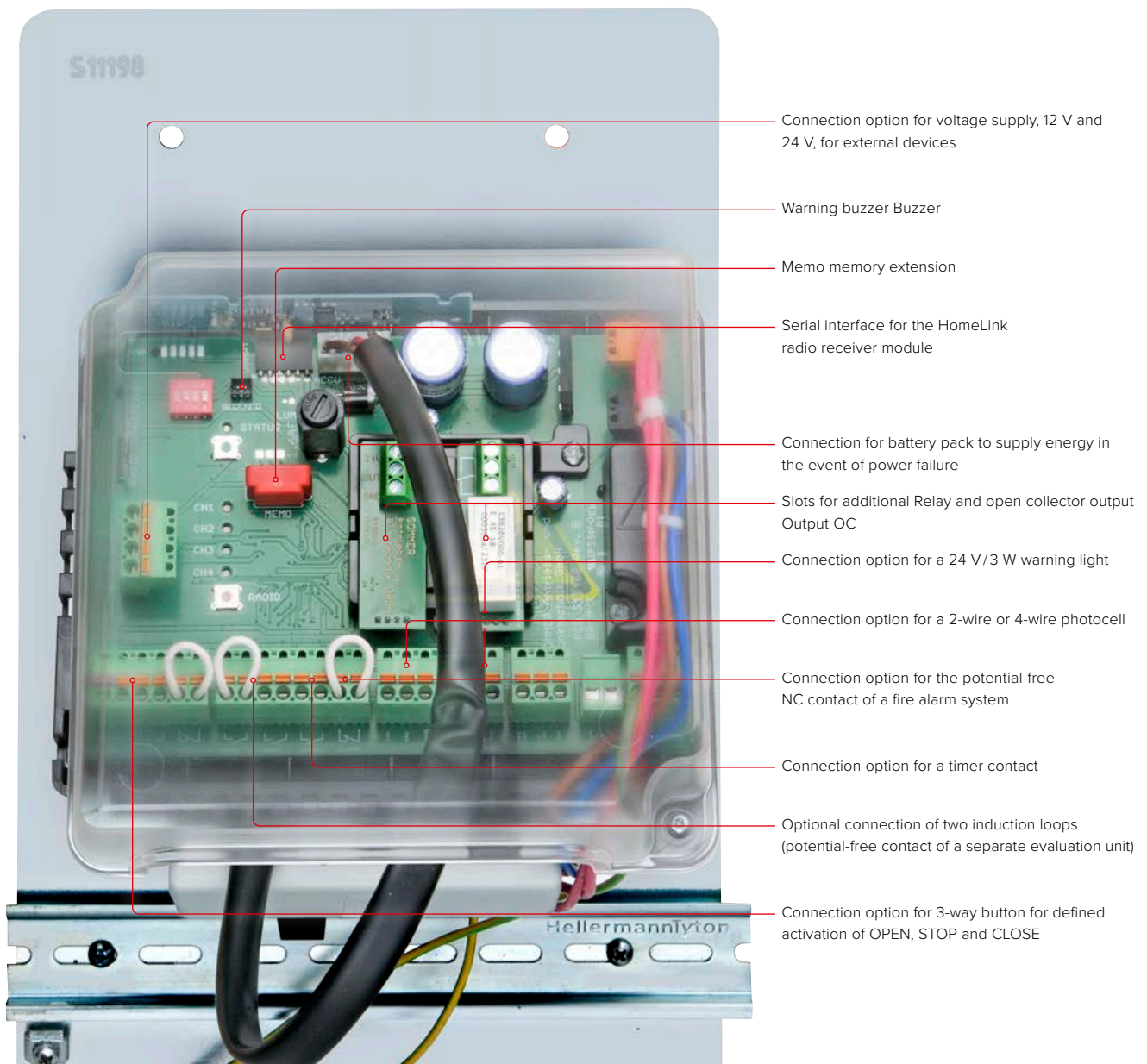
Bidirectional SOMloq2 radio control system

Thanks to the integrated radio receiver with bidirectional SOMloq2 radio control system, the boom can be operated conveniently via radio. The 128-bit AES encryption with Rollingcode provides maximum protection of data against hackers.

SOMlink S2 service interface

With intelligent control technology for specialist retailers, there are additional options for easily adjusting features and parameters with a web app using your smartphone, tablet or laptop.

Connection options



Connection option for voltage supply, 12 V and 24 V, for external devices

Warning buzzer Buzzer

Memo memory extension

Serial interface for the HomeLink radio receiver module

Connection for battery pack to supply energy in the event of power failure

Slots for additional Relay and open collector output Output OC

Connection option for a 24 V/3 W warning light

Connection option for a 2-wire or 4-wire photocell

Connection option for the potential-free NC contact of a fire alarm system

Connection option for a timer contact

Optional connection of two induction loops (potential-free contact of a separate evaluation unit)

Connection option for 3-way button for defined activation of OPEN, STOP and CLOSE



Barrier body



ASB aluminium



ASB aluminium right-closing

- › Barrier made of lightweight aluminium and therefore easy to transport and install
- › Integrated warning light and status display with clearly visible signalling effect
- › Convenient operation via radio thanks to the integrated radio receiver with bidirectional SOMloq2 (FM 868.95 MHz) radio control system
- › Automatic obstacle detection ensures that the barrier opens automatically when it encounters an obstacle so that no vehicle gets wedged in
- › The barrier can be manually locked and unlocked in any position (e.g. in the event of a power failure)
- › Wide range of connection options for accessories
- › Rugged, high-quality components guarantee a long service life
- › Pre-programmed Pearl Vibe 4-command handheld transmitter with noticeable feedback of radio commands via vibration

S13012-00001



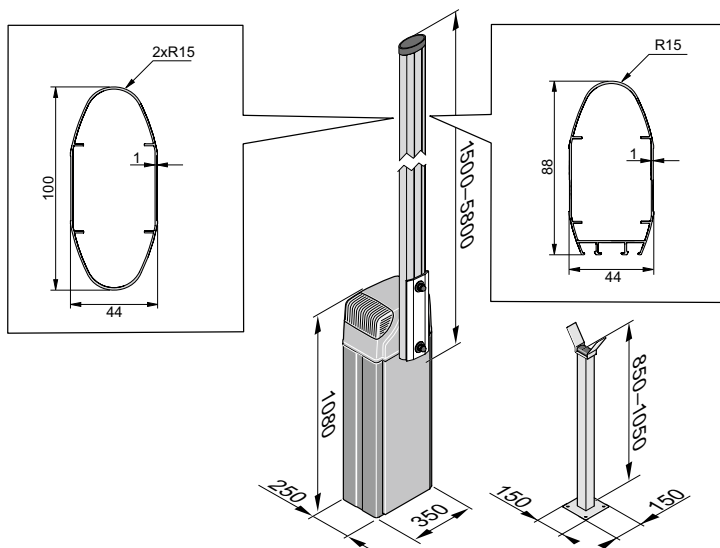
ASB aluminium left-closing

- › Barrier made of lightweight aluminium and therefore easy to transport and install
- › Integrated warning light and status display with clearly visible signalling effect
- › Convenient operation via radio thanks to the integrated radio receiver with bidirectional SOMloq2 (FM 868.95 MHz) radio control system
- › Automatic obstacle detection ensures that the barrier opens automatically when it encounters an obstacle so that no vehicle gets wedged in
- › The barrier can be manually locked and unlocked in any position (e.g. in the event of a power failure)
- › Wide range of connection options for accessories
- › Rugged, high-quality components guarantee a long service life
- › Pre-programmed Pearl Vibe 4-command handheld transmitter with noticeable feedback of radio commands via vibration

S13013-00001



Dimension drawing



Technical data

Type	ASB aluminium
Radio control system	SOMloq2
Radio frequency	FM 868.95 MHz
Radio memory positions	40
Rated voltage	AC 220–240 V
Rated frequency	50/60 Hz
Power consumption in standby	1.3 W
Rated power consumption	60 W

Type	ASB aluminium
Motor voltage	DC 24 V
Weight	50 kg
Max. opening width	5.5 m
Max. cycles per day	350
IP code	IP44
Min. temperature	-25 °C
Max. temperature	+65 °C

Required accessories



Boom 500 LED

Boom

S12773-00001

Page 138



Boom 580

Boom

S12772-00001

Page 138



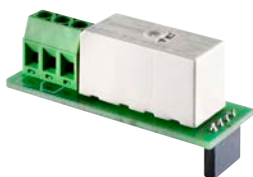
Boom 400

Boom

S12772-00002

Page 139

Matching accessories



Relay

Additional relay

7042V000

Page 206



Battery pack

Emergency power supply

S115V001

Page 228



Support post

S11061-00001

Page 267



Floating support

S13053-00001

Page 267



Barrier body



ASB steel



ASB steel right-closing

- > Convenient operation via radio thanks to the integrated radio receiver with bidirectional SOMloq2 (FM 868.95 MHz) radio control system
- > Automatic obstacle detection ensures that the barrier opens automatically when it encounters an obstacle so that no vehicle gets wedged in
- > The barrier can be manually locked and unlocked in any position (e.g. in the event of a power failure)
- > Wide range of connection options for accessories
- > Rugged, high-quality components guarantee a long service life
- > Pre-programmed Pearl Vibe 4-command handheld transmitter with noticeable feedback of radio commands via vibration

S13010-00001

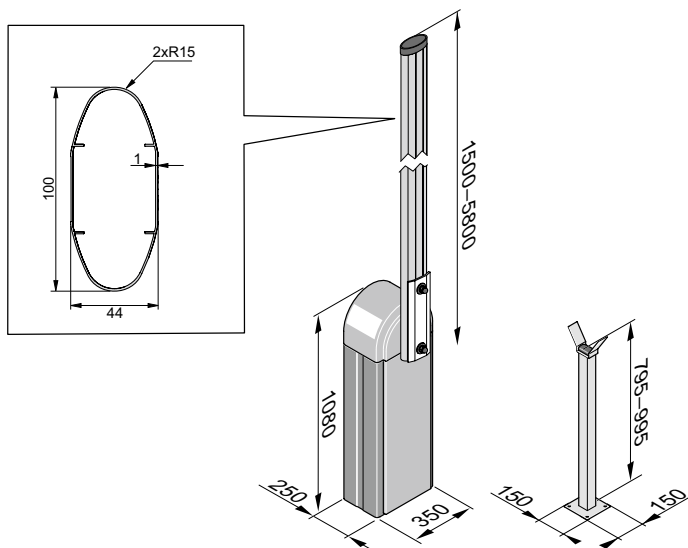
ASB steel left-closing

- > Convenient operation via radio thanks to the integrated radio receiver with bidirectional SOMloq2 (FM 868.95 MHz) radio control system
- > Automatic obstacle detection ensures that the barrier opens automatically when it encounters an obstacle so that no vehicle gets wedged in
- > The barrier can be manually locked and unlocked in any position (e.g. in the event of a power failure)
- > Wide range of connection options for accessories
- > Rugged, high-quality components guarantee a long service life
- > Pre-programmed Pearl Vibe 4-command handheld transmitter with noticeable feedback of radio commands via vibration

S13011-00001



Dimension drawing



Technical data

Type	ASB steel
Radio control system	SOMloq2
Radio frequency	FM 868.95 MHz
Radio memory positions	40
Rated voltage	AC 220–240 V
Rated frequency	50/60 Hz
Power consumption in standby	1.3 W
Rated power consumption	60 W

Type	ASB steel
Motor voltage	DC 24 V
Weight	60 kg
Max. opening width	5.5 m
Max. cycles per day	350
IP code	IP44
Min. temperature	-25 °C
Max. temperature	+65 °C

Required accessories



Boom 580

Boom

S12772-00001

Page 138



Boom 400

Boom

S12772-00002

Page 139

Matching accessories



Battery pack

Emergency power supply

5115V001

Page 228



One-way photocell 20 m

Photocell

S12478-00001

Page 213



Support post

S11061-00001

Page 267



Floating support

S13053-00001

Page 267





Boom 500 LED

- > Boom length with 5 m
- > Boom with red and green LED lighting for optimum safety
- > Oval aluminium profile
- > Cross-section: 44×100 mm
- > The oval boom shape offers maximum stability and minimum resistance to wind load.
- > Boom lengths can be reduced directly on-site to suit individual requirements.

S12773-00001



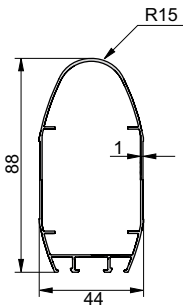
Boom 580

- > Boom length with 5.8 m
- > Oval aluminium profile
- > Cross-section: 44×100 mm
- > The oval boom shape offers maximum stability and minimum resistance to wind load.
- > Boom lengths can be reduced directly on-site to suit individual requirements.

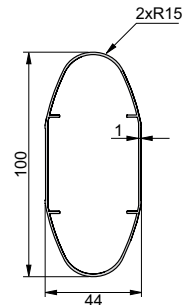
S12772-00001



An additional "Relay" is required for the traffic-light function.



All dimensions are in millimetres; subject to misprints, errors and technical changes.



All dimensions are in millimetres; subject to misprints, errors and technical changes.

Compatibility of barrier body and boom

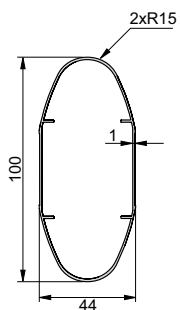
	Boom 500 LED (5 m)	Boom 580 (5.8 m)	Boom 400 (4 m)
ASB aluminium	✓	✓	✓
ASB steel	–	✓	✓



Boom 400

- > Boom length with 4 m
- > Oval aluminium profile
- > Cross-section: 44 × 100 mm
- > The oval boom shape offers maximum stability and minimum resistance to wind load.
- > Boom lengths can be reduced directly on-site to suit individual requirements.

S12772-00002



All dimensions are in millimetres; subject to misprints, errors and technical changes.





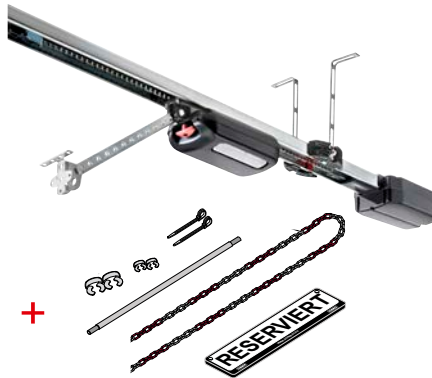
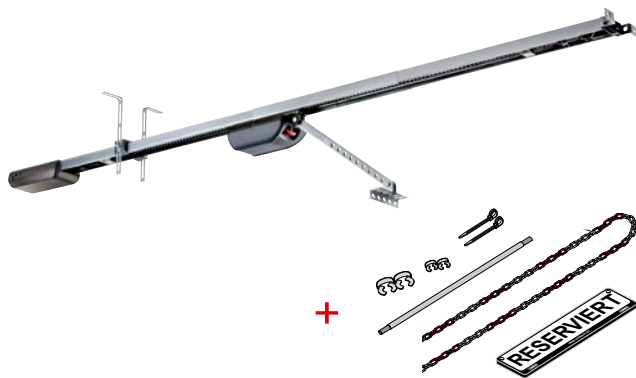
Parking space barrier





Parking space barrier

reservo/reservo⁺ 142



reservo parking space barrier

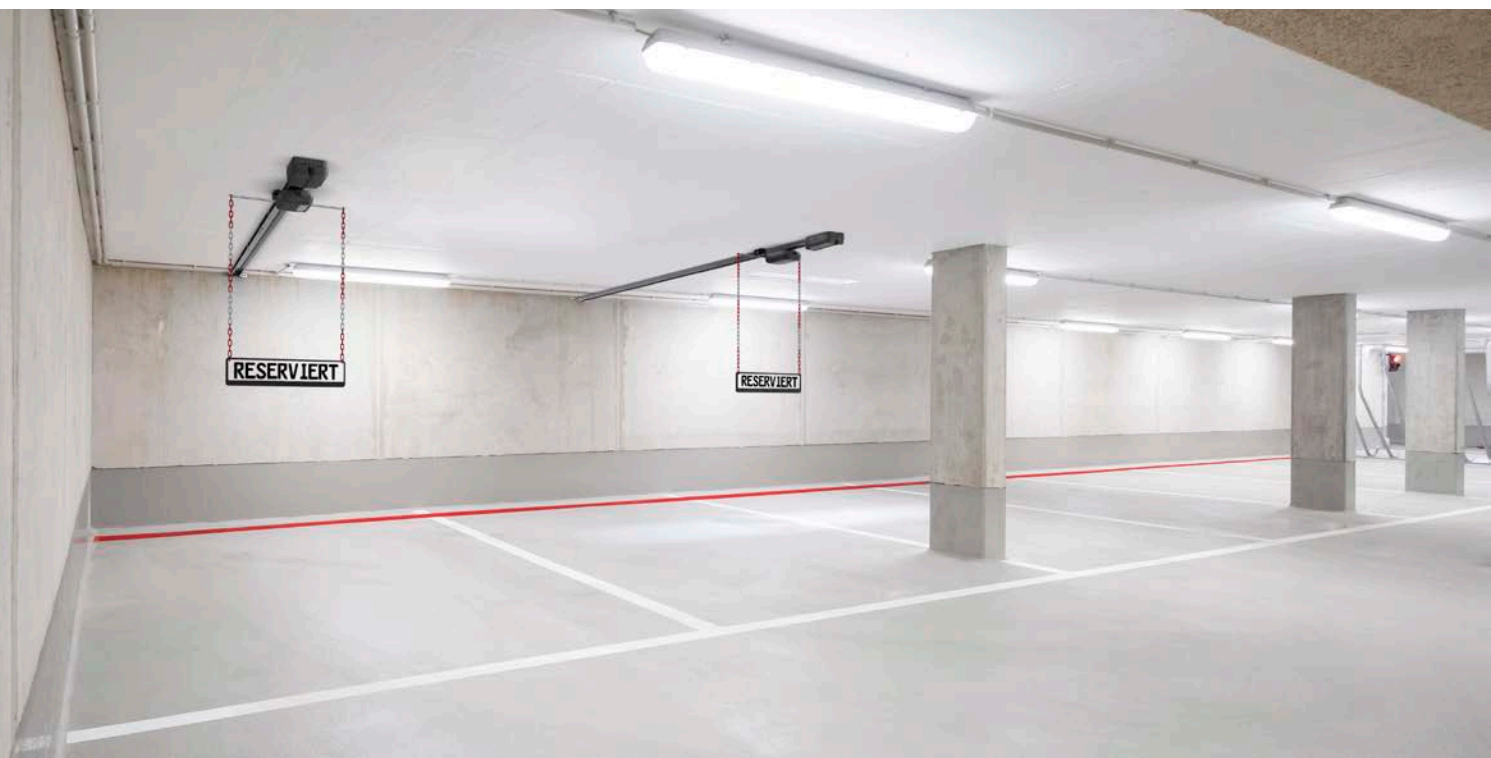
- › Ceiling-guided parking space barrier for private applications.
- › Ceiling mounting means the floor remains free for cleaning work.
- › Also prevents possible damage to vehicles or tyres.
- › The parking space barrier can be opened and closed conveniently via radio-based handheld transmitter, a combination of keypad and control centre or optionally via smartphone.
- › For indoor use in garages, underground garages and parking garages
- › Reliably protects your parking space against unauthorised parking
- › The parking space barrier profits from the long service life and high number of duty cycles of the garage door operators.
- › An inexpensive alternative to conventional parking space barriers
- › Can be combined with a wide range of accessories, depending on garage door operator. (For example, Lumi Strip lighting, Lumi Strip traffic light, Lumi Strip lighting/warning light, warning buzzer, SOMweb Smart Home solution, access systems with finger scanner or code keypad.)
- › Quick and easy installation

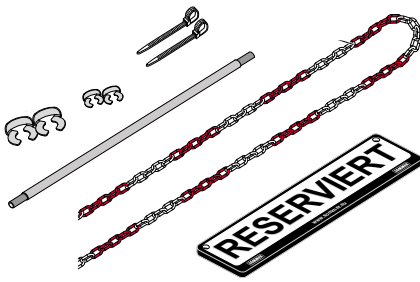
S12740-00001

reservo⁺ parking space barrier

- › Ceiling-guided parking space barrier for commercial applications. Optional accessories allow connection to the existing building automation system.
- › Ceiling mounting means the floor remains free for cleaning work.
- › Also prevents possible damage to vehicles or tyres.
- › The parking space barrier can be opened and closed conveniently via radio-based handheld transmitter, a combination of keypad and control centre or optionally via smartphone.
- › For indoor use in garages, underground garages and parking garages
- › Reliably protects your parking space against unauthorised parking
- › The parking space barrier profits from the long service life and high number of duty cycles of the garage door operators.
- › An inexpensive alternative to conventional parking space barriers
- › Can be combined with a wide range of accessories, depending on garage door operator. (For example, Lumi Strip lighting, Lumi Strip traffic light, Lumi Strip lighting/warning light, warning buzzer, SOMweb Smart Home solution, access systems with finger scanner or code keypad.)
- › Quick and easy installation

S12741-00001





reservo Kit parking space barrier

- > Conversion set for conversion of SOMMER garage door operators to the reservo parking space barrier.
- > Can be combined individually with a SOMMER garage door operator, depending on the application

S12620-00001

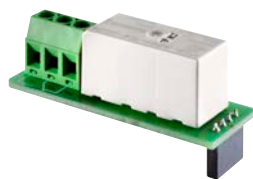


Matching accessories



Lumi Strip traffic light
LED red-green traffic light

S11481-00001
Page 226



Relay
Additional relay

7042V000
Page 206



Conex

S10807-00001
Page 207



SOMweb
Smart Home solution

S11342-00001
Page 177



Tubular motors



Tubular motors

Find the right tubular motor	146
A X0/1X/X5	148



Advantages of the SOMMER roller shutter and awning operators

There are many advantages to installing a tubular motor from SOMMER – for retrofitting of most existing roller shutters and awnings as well as for new constructions:

It is much more convenient to open and close roller shutters or awnings with the simple press of a button or fully automatically; moving them manually seems a cumbersome task by comparison. The mechanisms of roller shutters and awnings are protected by the even and smooth movement via tubular motor.

The control units and the numerous accessories, such as light sensor, wind sensor or radio receiver, give you even more options: Thanks to the use of a light sensor, your roller shutter closes automatically in strong sunlight, and your bedroom remains pleasantly cool in summer. With an integrated time control unit, roller shutters can be automatically opened and closed at a specific time, or even randomly. This helps to confuse potential burglars while you are away by creating the impression that someone is home.



Tubular motors for roller shutters

Roller shutter shaft	Operator	Item no.	Required accessories	Torque (Nm)	Weight (kg)	Max. shutter area		
						PVC (m ²)	Aluminium (m ²)	Wood (m ²)
40 mm octagon	A 10/17/35	S12402-00001	–	10	25	5.5	4.2	–
60 mm octagon	A 10/15/45	S12403-00001	–	10	20	4.4	3.3	–
	A 20/15/45	S12404-00001	–	20	40	8.8	6.7	–
	A 40/15/45	S12406-00001	–	40	70	15.5	11.7	7.0
	A 50/12/45	S12407-00001	–	50	90	20.0	15.0	9.0
70 mm octagon	A 40/15/45	S12406-00001	S12409-00001	40	60	13.3	10.0	6.0
	A 50/12/45	S12407-00001	S12409-00001	50	75	16.7	12.5	7.5

Roller shutter weights

PVC	approx. 3.5–5.0 kg/m ²	Calculation basis 4.5 kg/m ²
Aluminium	approx. 5.0–7.0 kg/m ²	Calculation basis 6.0 kg/m ²
Wood	approx. 10 kg/m ²	Calculation basis 10 kg/m ²

Tubular motors for awnings

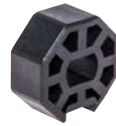
Roller	Operator	Item no.	Required accessories	Torque (Nm)	Number of hinged brackets	Spring force (N)	Torque requirement (Nm)
63 mm notch tube	A 20/15/45	S12404-00001	S12410-00001	20	2	500	18
	A 40/15/45	S12406-00001	S12410-00001	40	4	1000	35
	A 50/12/45	S12407-00001	S12410-00001	50	5	1250	44
70 mm notch tube	A 20/15/45	S12404-00001	S12411-00001	20	2	500	20
	A 40/15/45	S12406-00001	S12411-00001	40	4	1000	40
	A 50/12/45	S12407-00001	S12411-00001	50	5	1250	50
85 mm notch tube	A 40/15/45	S12406-00001	S12413-00001	40	3	750	36
	A 50/12/45	S12407-00001	S12413-00001	50	4	1000	48

Awning springs

Force/arm	approx. 20–30 kg	Calculation basis 25 kg/arm
-----------	------------------	-----------------------------



Accessories included



Adapter for size 40 octagonal tube for A 10/17/35



Adapter for size 60 octagonal tube for A X0/1X/45



Wall anchor, offset

A X0/1X/X5

- > AC 230 V, 50 Hz
- > Cable length 1.9 m

A 10/17/35

- > Torque 10 Nm, speed 17 min⁻¹
- > Incl. offset wall anchor (perforation distance 48/60 mm) and adapter for 40 size octagonal tube

S12402-00001

A 10/15/45

- > Torque 10 Nm, speed 15 min⁻¹
- > Incl. offset wall anchor (perforation distance 48/60 mm) adapter for 60 size octagonal tube

S12403-00001

A 20/15/45

- > Torque 20 Nm, speed 15 min⁻¹
- > Incl. offset wall anchor (perforation distance 48/60 mm) adapter for 60 size octagonal tube

S12404-00001

A 40/15/45

- > Torque 40 Nm, speed 15 min⁻¹
- > Incl. offset wall anchor (perforation distance 48/60 mm) adapter for 60 size octagonal tube

S12406-00001

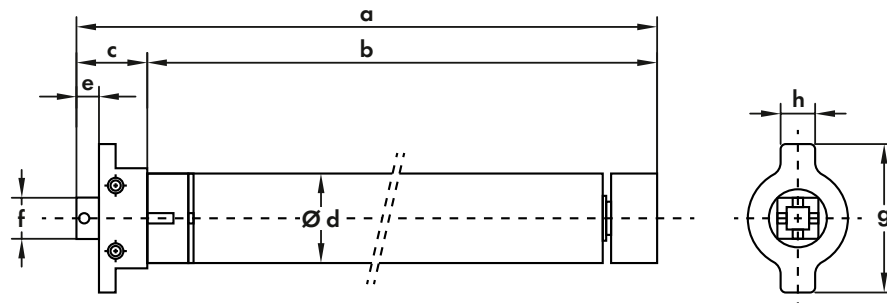
A 50/12/45

- > Torque 50 Nm, speed 12 min⁻¹
- > Incl. offset wall anchor (perforation distance 48/60 mm) adapter for 60 size octagonal tube

S12407-00001



Dimension drawing



Operator	a	b	c	d	e	f	g	h
A 10/17/35	520	490	30	35	14	10×10	70	20
A 10/15/45	487	450	37	45	14	10×10	70	20
A 20/15/45	487	450	37	45	14	10×10	70	20
A 40/15/45	557	520	37	45	14	10×10	70	20
A 50/12/45	557	520	37	45	14	10×10	70	20

Technical data

Type	A 10/17/35	A 10/15/45	A 20/15/45	A 40/15/45	A 50/12/45
Max. torque	10 Nm	10 Nm	20 Nm	40 Nm	50 Nm
Speed	17 min ⁻¹	15 min ⁻¹	15 min ⁻¹	15 min ⁻¹	12 min ⁻¹
Rated voltage	AC 230 V	AC 230 V	AC 230 V	AC 230 V	AC 230 V
Rated frequency	50 Hz	50 Hz	50 Hz	50 Hz	50 Hz
Duty cycle	KB 4 min	KB 4 min	KB 4 min	KB 4 min	KB 4 min
Protection class	I	I	I	I	I
IP code	IP44	IP44	IP44	IP44	IP44

Matching accessories



Universal wall anchor
Wall anchor
5935V000
Page 268



Wall anchor clip
Wall anchor
5933V000
Page 268



Adapter set d50mm octagon
Adapter
S12408-00001
Page 268



Adapter set d66mm octagon
Adapter
S12409-00001
Page 268



Adapter set d82mm notch
Adapter
S12413-00001
Page 269



Prestige
Roller door control unit
S13968-00001
Page 270



FunkManager S
Radio receiver
5980V000
Page 170



FunkManager S in set
Radio receiver
5990V000
Page 170



Radio technology





Radio technology

Advantages	152
SOMloq2	154
Telecody Courier	154
Transmitter FM 868.95/868.8 MHz	156
Radio receiver FM 868.95 MHz	160
HomeLink radio receiver	164
Transmitter management	165
Somloq Rollingcode	167
Transmitter FM 868.8 MHz	167
Radio receiver FM 868.8 MHz	169
Transmitter FM 40.685 MHz	171
Transmitter AM 40.685 MHz (10-bit)	172





Reliability of the highest level

Gone are the times of opening and closing the garage door, awnings and the like by hand. Our two Somloq Rollingcode and SOMloq2 radio systems make this and many other functions easier than ever before. Both work with safe Rollingcode technology.

- › Uses radio frequencies with short transmission periods for quick and fault-free radio commands.
- › For optimum protection against code scanning and code grabbing to prevent access by unauthorised parties.

Somloq Rollingcode – for precise control

The Somloq Rollingcode radio system works on the basis of radio frequency FM 868.8 MHz.

- › It sends very short radio signals that cannot be interrupted by transmitters which send long signals, such as baby monitors.
- › FM stands for frequency modulation and lends our system even more transmission security. The good selectivity ensures that your control commands are reliably differentiated from other radio signals and can be implemented exactly.
- › In addition to optimum transmission security, the Somloq Rollingcode provides you with even more protection against access and entrance by unauthorised persons.
- › The 66-bit encryption makes 74 trillion codings possible. After every activation, Rollingcode changes the code. This makes code scanning and code grabbing by unauthorised persons pointless, since each code is only valid once.

SOMloq2 – even more security & convenience

We have expanded the advantages of the Somloq Rollingcode even further in our future-proof SOMloq2 radio system:

- › You utilise the full functionality of Somloq Rollingcode and have even more security and convenience at hand.
- › It is bidirectional and therefore reports whether the radio signals have arrived.
- › Thanks to 128-bit AES encryption, the SOMloq2 is even more secure.
- › **Auto-repeat function** for convenient opening while as you drive up to the premises.
- › Query the current status of your gate directly from the couch or your deck chair in the garden.
- › An innovative **hop function** extends the range, as radio signals are forwarded from SOMloq2 receivers.

You don't have to exchange existing SOMMER operators. Simply retrofit with a SOMloq2 radio receiver – and gain even more advantages.



Transmitters with SOMloq2 are **backward compatible** with the Somloq Rollingcode radio system, making it possible to control existing operators and radio receivers.



Quality and long life guaranteed!

In addition to our own Somloq Rollingcode and SOMloq2 in-house developments, we install only the highest quality components in our radio products. This makes both systems very durable and reliable even if temperatures fluctuate or the product is exposed to impacts and vibrations. Enjoy quality you can feel in every fingertip.

Approval

The introduction of the Radio Equipment Directive (RED) facilitated the market introduction to other European countries and reduced the administrative effort.

The mark is:



HomeLink®-compatible

If your vehicle is equipped with a HomeLink® system (from software Version 7), our operators and radio receivers with Somloq Rollingcode (FM 868.8 MHz) are compatible.

For more information, see:

www.homelink.com



A comparison of the two radio control systems

	Somloq Rollingcode	SOMloq2
Frequency	FM 868.80 MHz	FM 868.80 MHz FM 868.95 MHz
Encryption	66 bit	128 bit AES
Bidirectional	–	✓
Rollingcode	✓	✓
Hop function	–	✓
Status query of door	–	✓
Auto-repeat function	–	✓
HomeLink®-compatible	✓	◆

◆ Only in combination with HomeLink radio receiver module.



You can find a complete compatibility overview of the radio systems and an overview of the functionality of all transmitters at www.som4.me/tbl.





Telecody Courier

How to equip your garage with the smart courier function



This smart courier function from SOMMER allows the delivery service employee to deposit a parcel in your garage. The opening height of the garage door can be defined individually. You can choose between two security levels: The door can be opened via the red button or an individual numeric code.

Function

The Telecody Courier means it is no longer necessary to collect from a parcel shop, from a packing station or from a neighbour. All it takes is a short trip to the garage.

Safety

The parcels can be safely stowed in the garage, protected against access from third parties and the weather. The access code is assigned individually and the opening function can be paused at any time.

On-time and stress-free

Parcels can be delivered to you on the first attempt every time. How? Simply enter the storage location "Garage" with the parcel delivery company, e.g. DHL. The door is then opened via the red button or a numeric code. The numeric code can also be specified at the storage location.

Radio code keypad

The Telecody Courier can also be used as a radio code keypad.





The parcel cannot be delivered because no-one is home.



With the Telecody Courier, the parcel can be placed in your garage.



The door opens a short distance and closes automatically once the parcel has been deposited.



Telecody Courier handheld transmitter

- › Also ideal as radio code keypad
- › With illuminated keys
- › Memory locations: 10 different access codes, 2 unencrypted buttons or the courier function
- › weather-proof; can be used indoors and outdoors
- › Radio receiver confirms received commands, an LED on the transmitter acknowledges receipt
- › further advantages of SOMloq2: Hop function
- › including aluminium holder and mounting material
- › Degree of protection IP64
- › Range of approx. 50 m, depending on the surroundings
- › Battery: 3 V, Type CR123A
- › Dimensions: 147×48×30 mm
- › Temperature range: -20 °C to +55 °C

Black

S12829-00001

White

S12829-00003



From a partial garage opening of 30 cm in height, a photocell is obligatory.





SOMloq2

**4-command handheld transmitter Pearl**

- > Advantages of SOMloq2: auto-repeat function, hop function
- > Backward compatible with operators and radio receivers with the Somloq Rollingcode radio system (FM 868.8 MHz).
- > Range: approx. 50–140 m (depending on the surroundings)
- > Battery: 3 V, Type CR2032
- > Dimensions: 79 × 26 × 13 mm

4018V000	black/red
4018V001	black/pink
4018V003	white/pink
4018V020	white/stainless steel



SOMloq2

**4-command handheld transmitter Pearl Vibe**

- > Option of querying door and gate positions and reception status
- > Noticeable feedback of radio commands with vibration
- > further advantages of SOMloq2: auto-repeat function, hop function
- > Remote addition and remote replacement possible with transmitter management Codemaster S2
- > Backward compatible with operators and radio receivers with radio system Somloq Rollingcode (FM 868.8 MHz).
- > Range: approx. 60–150 m (depending on the surroundings)
- > Battery: 3 V, Type CR2032
- > Dimensions: 79 × 26 × 13 mm

4019V000	black/red
4019V001	black/pink
4019V003	white/pink
4019V021	white/stainless steel



SOMloq2

**3-command handheld transmitter Pearl Status**

- > Option of querying door and gate position and receiver status without travel motion thanks to special red button
- > Noticeable feedback of radio commands with vibration
- > further advantages of SOMloq2: auto-repeat function, hop function
- > Remote addition and remote replacement possible with transmitter management Codemaster S2
- > Backward compatible with operators and radio receivers with radio system Somloq Rollingcode (FM 868.8 MHz).
- > Range: approx. 60–150 m (depending on the surroundings)
- > Battery: 3 V, Type CR2032
- > Dimensions: 79 × 26 × 13 mm

S10448-00001	white/stainless steel
S10448-00012	black/stainless steel



SOMloq2

**2-command handheld transmitter Pearl Twin**

- > Convenient, large buttons
- > Advantages of SOMloq2: auto-repeat function, hop function
- > Backward compatible with operators and radio receivers with the Somloq Rollingcode radio system (FM 868.8 MHz).
- > Range: approx. 50–140 m (depending on the surroundings)
- > Battery: 3 V, Type CR2032
- > Dimensions: 79 × 26 × 13 mm

S10019-00001



Transmitter FM 868.95/868.8 MHz

**2-command handheld transmitter Pearl Twin⁺**

- > Convenient, large buttons
- > Advantages of SOMloq2: auto-repeat function, hop function
- > Remote addition and remote replacement possible with transmitter management Codemaster S2
- > Backward compatible with operators and radio receivers with radio system Somloq Rollingcode (FM 868.8 MHz).
- > Range: approx. 60–150 m (depending on the surroundings)
- > Battery: 3 V, Type CR2032
- > Dimensions: 79×26×13 mm

S11925-00001

Pearl holder

- > for all handheld transmitters in the Pearl series
- > for mounting in the car or on the wall
- > Incl. mounting material

4643V000	black
4643V001	white

**Visor Clip**

- > for all handheld transmitters in the Pearl series
- > Holding clip for fixing the handheld transmitter to the sun visor in a car
- > Incl. mounting material

S11842-00001

4-command handheld transmitter Slider⁺

- > High quality, modern design with stainless-steel trim
- > Slider function for protecting against unintentional actuation
- > Thanks to the compact design, can also be attached to a key ring
- > Advantages of SOMloq2: auto-repeat function, hop function
- > Backward compatible with operators and radio receivers with the Somloq Rollingcode radio system (FM 868.8 MHz).
- > Range: approx. 50–140 m (depending on the surroundings)
- > Battery: 3 V, Type CR2032
- > Dimensions: 55×30×14 mm (closed)

S10305-00001



4-command handheld transmitter Slider Vibe

- > High quality, modern design with stainless-steel trim
- > Slider function for protecting against unintentional actuation
- > Thanks to the compact design, can also be attached to a key ring
- > Option of querying door and gate positions and reception status
- > Noticeable feedback of radio commands with vibration
- > further advantages of SOMloq2: auto-repeat function, hop function

- > Remote addition and remote replacement possible with transmitter management Codemaster S2
- > Backward compatible with operators and radio receivers with radio system Somloq Rollingcode (FM 868.8 MHz).
- > Range: approx. 60–150 m (depending on the surroundings)
- > Battery: 3 V, Type CR2032
- > Dimensions: 55 × 30 × 14 mm (closed)

S10202-00001



12-command handheld transmitter Telecody+

- > Also ideal as radio code keypad
- > With illuminated keys
- > Memory locations: 10 different access codes and 2 unencrypted buttons, e.g. for light
- > weather-proof; can be used indoors and outdoors
- > Radio receiver confirms received commands, an LED on the transmitter acknowledges receipt
- > further advantages of SOMloq2: Hop function

- > Backward compatible with operators and radio receivers with the Somloq Rollingcode radio system (FM 868.8 MHz).
- > including aluminium holder and mounting material
- > Degree of protection IP64
- > Range of approx. 50 m, depending on the surroundings
- > Battery: 3 V, Type CR123A
- > Dimensions: 147 × 48 × 30 mm
- > Temperature range: -20 °C to +55 °C

S10212-00001 black
 S10212-00032 white

Transmitter FM 868.95/868.8 MHz

**200-command handheld transmitter GIGacom**

- > ideal for industrial doors
- > With illuminated keys
- > For activation of 100 doors (targeted opening and closing – this adds up to 200 commands)
- > Pre-selection of the desired command using keypad
- > Favourites function enables direct control of a door/gate
- > weather-proof; can be used indoors and outdoors
- > Radio receiver confirms received commands, an LED on the transmitter acknowledges receipt
- > further advantages of SOMloq2: Hop function
- > Backward compatible with operators and radio receivers with the Somloq Rollingcode radio system (FM 868.8 MHz), including aluminium holder and mounting material
- > Degree of protection IP64
- > Range of approx. 50 m, depending on the surroundings
- > Battery: 3 V, Type CR123A
- > Dimensions: 147 × 48 × 30 mm
- > Temperature range: –20 °C to +55 °C

4038V000

**2-command SOMtouch radio wall button (surface-mounted)**

- > Battery-operated – no additional installation effort is necessary
- > Option of querying door or gate position/receiver status without travel motion thanks to small button
- > Feedback of radio commands with LED
- > further advantages of SOMloq2: Hop function
- > Remote addition and remote replacement possible with transmitter management Codemaster S2
- > Range of approx. 50 m, depending on the surroundings
- > Battery: 3 V, Type CR2032
- > Dimensions: 80 × 85 × 14 mm
- > Area of application: dry, closed rooms

S10447-00001 white/white
 S10447-00002 anthracite/white





0.5 W Standby

SOMsocket radio power socket

- › Radio receiver in power socket housing which can be used to switch the connected application, for example a lamp, on and off via radio control system
- › Option of status query by means of transmitter (e.g. Pearl Status), e.g. whether the connected device is switched on or off.
- › Ideal as substitute for a rod antenna: increase in range due to hop function. There is no need to programme transmitters on the radio receiver.
- › Integrated antenna
- › Memory: 112 radio commands can be programmed

21106V000

Power socket housing D

21106V030

Power socket housing F

- › Power supply: 100–240 V, 50/60 Hz
- › Switching output: 1-pole switching; max. 10 A
- › Area of application: dry, closed rooms
- › Dimensions: 138 × 54 × 40 mm
- › Operating mode:
 - Switching mode (toggle): Relay can be switched on and off via radio control system, like a surge relay
 - Defined ON/OFF: command for defined switch-on and command for defined switch-off



0.5 W Standby

SOMplug 1-channel radio receiver in power socket housing

- › Potential-free relay output via 1.5 m cable for connection to the pulse input of the operator
- › Simple conversion of external operators and easy changing of the radio frequency
- › No installation work on 230 V necessary
- › Optional feedback via transmitter when the sent command has been processed by the receiver.
- › further advantages of SOMloq2: Hop function
- › Integrated antenna
- › Memory: 112 radio commands can be programmed

21107V000

Power socket housing D

21107V010

Power socket housing CH

21107V020

Power socket housing GB

21107V030

Power socket housing F

- › Power supply: 100–240 V, 50/60 Hz
- › outlet socket: Schuko, 16 A, AC 230 V, 50 Hz
- › Area of application: dry, closed rooms
- › Dimensions: 138 × 54 × 40 mm
- › Operating mode:
 - Impulse mode (jog): Relay activated as long as radio signal is present
 - Defined ON/OFF: command for defined switch-on and command for defined switch-off



Radio receiver FM 868.95 MHz



2-channel radio receiver SOMcom2

- › Simple conversion of external operators and easy changing of the radio frequency
 - › Suitable for special applications (not suitable as tubular motor controller)
 - › Optional feedback via transmitter when the sent command has been processed by the receiver
 - › Ideal as substitute for a rod antenna: increase in range due to hop function. There is no need to programme transmitters on the radio receiver.
 - › Integrated antenna
 - › Memory: 40 radio commands can be programmed
 - › Slot for Memo memory extension (450 radio commands)
 - › Power supply: AC/DC 12–24 V
- › Area of application: dry, closed rooms
 - › Control output: 2 potential-free relay contacts (normally open contacts, 1 A, DC 30 V)
 - › Connection: 6-pin screw terminal
 - › Dimensions: 109 × 40 × 32 mm
 - › Operating mode:
 - Impulse mode (jog): Relay activated as long as radio signal is present
 - Defined ON/OFF: Command for defined switch-on and command for defined switch-off
 - Switching mode (toggle): Relay can be switched on and off via radio control system, like a surge relay (can only be set via SOMlink S2)

S10696-00001



Housing, 2-channel radio receiver

- › With space for 2-channel radio receiver
- › Degree of protection IP56
- › Incl. 2 × M16 cable gland and screw to attach the receiver in the housing

S12959-00001





4-channel radio receiver SOMcom4

- › Simple conversion of external operators and easy changing of the radio frequency
- › Suitable for special applications (not suitable as tubular motor controller)
- › Optional feedback via transmitter when the sent command has been processed by the receiver
- › Option of channel relay status query via transmitter (e.g. Pearl Status)
- › Ideal as substitute for a rod antenna: increase in range due to hop function. There is no need to programme transmitters on the radio receiver.
- › Integrated antenna
- › Memory: 40 radio commands can be programmed
- › Slot for Memo memory extension (450 radio commands)
- › Power supply: AC 230 V or AC/DC 12–24 V $\pm 20\%$
- › Area of application: indoor and outdoor use
- › Control output: 4 potential-free relay contacts (change-over, 8 A, AC 250 V)
- › Pulse input: connection option for a potential-free pulse input
- › Connection: screw terminals
- › connectible cable: up to 2.5 mm² diameter
- › Temperature range: –25 °C to +65 °C
- › Dimensions: 125 × 125 × 60 mm
- › Degree of protection IP55
- › Operating mode:
 - Impulse mode (jog): Relay activated as long as radio signal is present
 - Defined ON/OFF: command for defined switch-on and command for defined switch-off
 - Switching mode (toggle): Relay can be switched on and off via radio control system, like a surge relay
 - Timed mode (Time): Relay is triggered with radio signal and deactivated after set time (1–255 s)

S10794-00001

Radio receiver FM 868.95 MHz



4-Channel radio receiver SOMup4 S2

- > Simple conversion of operators and control units with radio receiver #7000VXXX to SOMloq2 (twist 200 E/EL, twist 350, twist XL, RUNner, RUNner⁺, SP 900 and GIGA industrial gate control units)
- > Optional feedback via transmitter when the sent command has been processed by the receiver
- > further advantages of SOMloq2: Hop function
- > integrated antenna; optional external antenna (# 7004) can be connected
- > Memory: 40 radio commands can be programmed
- > Slot for Memo memory extension (450 radio commands)
- > Power supply: DC 5 V or DC 8–18 V
- > Connection: 20-pin contact strip
- > Temperature range: –25 °C to +65 °C
- > Dimensions: 60 × 57 × 13 mm
- > Operating mode:
 - Impulse mode (jog): Relay activated as long as radio signal is present
 - Defined ON/OFF: command for defined switch-on and command for defined switch-off

S13687-00001

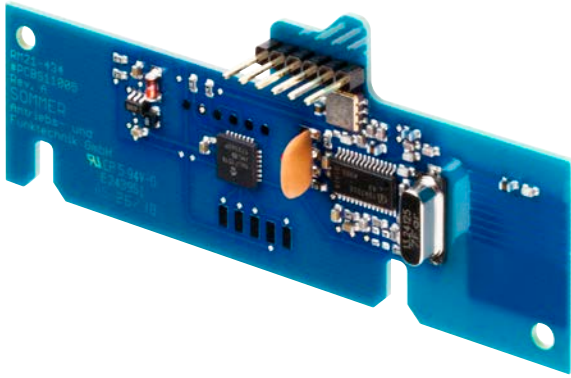


Rod antenna

- > For operators and receivers with Somloq Rollingcode (FM 868.8 MHz) and SOMloq2 (FM 868.95 MHz), for example SOMup4 S2
- > External antenna for garage door, swing and sliding gate operators, booms and various radio receivers
- > with 50 Ohm coaxial cable

7004V003	with 2 m cable
7004V001	with 6 m cable
7004V000	with 10 m cable
7004V002	with 16 m cable





HomeLink radio receiver module

- › The radio receiver module allows you to control operators and control units with the radio system SOMloq2 via the HomeLink transmitter integrated in a vehicle.
- › Plug & Play installation via serial interface
- › simple programming directly at the operator
- › Memory: 12 radio commands can be programmed
- › For HomeLink version EURO 2 from year of manufacture approx. 2005
- › For SOMMER base⁺, pro⁺, tiga and tiga⁺ from date of manufacture 05.2017 and software version 03.03, STArter S2, STArter S2⁺, RDC Vision⁺ and barriers with SOMloq2 radio system

S11004-00001





Codemaster S2

It has never been easier to manage underground garages etc. The transmitters are conveniently organised and managed from the office, via the browser. No special software installation required; everything you need is integrated into the device itself.

Compatibility

Transmitter management for operators and radio receivers with radio system SOMloq2 and a Memo slot. To find out whether your operator or radio receiver is compatible with the Codemaster S2, see www.som4.me/sv.

Technology

- › Integrated WiFi module
- › Integrated web server
- › Universal for smartphone, tablet or PC
- › No saving of data on external servers

Diagnosis and service

- › Transmitters are managed and organised in the office or on-site where required.
- › Additional handheld transmitters for managed buildings can only be obtained via the firm operating the transmitter management.
- › Easy handling:
 - A new object is created via the web interface.
 - The Memo of the operator or radio receiver is plugged into the Codemaster S2.
 - Transmitters are added
 - Data are transferred to the Memo.
 - The Memo is unplugged and connected to the operator.

- › No on-site Internet connection required! A direct WiFi connection is established between smartphone, tablet or PC and the Codemaster S2.



Codemaster S2 app



Codemaster S2

- › Transmitter management; FM 868.95 MHz; WiFi
- › No on-site Internet connection required! A direct WiFi connection is established between smartphone, tablet or PC and the Codemaster S2.
- › Option allowing organisation and management of transmitters from various objects via smartphone, tablet or PC
- › For operators and radio receivers with radio system SOMloq2 and a Memo slot
- › To find out whether your operator or radio receiver is compatible with the Codemaster S2, see www.som4.me/sv.

S13571-00001



SOMMER Suite

With the SOMMER Suite for Windows, you can update the Codemaster S2 firmware or create backup copies of your data. You can find the latest version of the SOMMER Suite in the download area of www.sommer.eu.

¹⁾ Only possible with the following transmitters: Pearl Vibe, Pearl Status, Pearl Twin⁺, Slider Vibe and SOMtouch.





3-command handheld transmitter Pearl Service

- › The service transmitter gives technicians access to door and gate systems for maintenance purposes.
- › Example: A Pearl Service is programmed on a door or gate system by technician A or via the Codemaster S2. This service transmitter remains with technician A or the administrator of the Codemaster S2. Technician B also has a Pearl Service which allows him access to the door or gate system without the need to reprogramme the handheld transmitter.
- › The Pearl Service is created individually for each customer.
- › Battery: 3 V, Type CR2032
- › Dimensions: 79 × 26 × 13 mm
- › For specialist retailers only!

S11011

Memo

- › Memory extension, pluggable, Plug & Play
- › Expands the radio memory to 450 handheld transmitter commands
- › Automatic transfer of the programmed transmitters from the internal memory of the operator or radio receiver to the Memo
- › Simple data backup and transfer of handheld transmitter commands to a new operator if service is required
- › Allows the use of transmitter management Codemaster S2
- › For products with radio system SOMloq2 and a Memo slot

10373



Transmitter FM 868.8 MHz

**4-command handheld transmitter Classic**

- > Range of approx. 50 m, depending on the surroundings
- > slide-open housing in stainless steel design
- > button protector prevents accidental operation
- > Battery: 3 V, Type CR2032
- > Dimensions: 87 × 24 × 16 mm (closed)

4020V000

**Holder**

- > for 4-command handheld transmitter Classic (# 4020V000)
- > for mounting in the car or on the wall
- > Incl. mounting material

4640V000

**Set with 4-command handheld transmitter Classic and holder**

- > Comprising 4-command handheld transmitter Classic (# 4020V000) and holder (# 4640V000)
- > Incl. mounting material

4650V000

**5-command handheld transmitter Industry**

- > Range of approx. 50 m, depending on the surroundings
- > Battery: 3 V, Type CR2032
- > Dimensions: 107 × 58 × 25 mm

4011V000

**Aluminium wall holder**

- > for 30-command handheld transmitter Flexy (# 4080V000, # 4080V001)
- > For mounting on the wall
- > Incl. mounting material

4641V000

**Wireless wall button, 2-command, with flush-mounted box**

- > via radio code transmission, an action can be triggered from a location where there is no power connection; no additional installation is necessary
- > Range: approx. 25 m (depending on the surroundings)
- > Dimensions: flush-mounted box, depth 63 mm, Ø 68 mm
- > push-button design: open wire connections, universally connectible
- > Battery: 3 V, Type CR2450

4752V000



**Wireless wall button, 2-command, with flush-mounted box**

- › via radio code transmission, an action can be triggered from a location where there is no power connection; no additional installation is necessary
- › Range: approx. 25 m (depending on the surroundings)
- › Dimensions: flush-mounted box, depth 63 mm, Ø 68 mm
- › push-button design: open wire connections, universally connectible
- › Battery: 3 V, Type CR2450
- › incl. button Jung CD 500 (white)

4753V000

**3-command radio wall button (surface-mounted)**

- › via radio code transmission, an action can be triggered from a location where there is no power connection; no additional installation is necessary
- › Range: approx. 25 m (depending on the surroundings)
- › Area of application: dry, closed rooms
- › Dimensions: 80×85×15 mm
- › Battery: 3 V, Type CR2032

white

4762V000

anthracite

4762V001

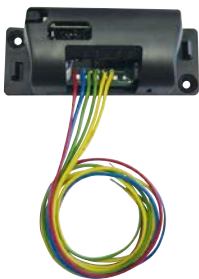


Radio receiver FM 868.8 MHz

**2-channel radio receiver module in housing with 112 radio commands**

- › suitable for other makes and special applications
- › can be used universally with any control units
- › integrated antenna; optional external antenna (# 7004) can be connected
- › Power supply: AC/DC 12–24 V
- › Control output: 2 potential-free relay contacts (normally open contacts, 1 A, DC 24 V)
- › Dimensions: 109 × 40 × 32 mm
- › Memory: 112 radio commands can be programmed
- › Connection: 6-pin screw terminal
- › Operating mode: Impulse mode (jog): Relay activated as long as radio signal is present

4796V000

**2-channel radio receiver module in housing with 112 radio commands and cable**

- › suitable for other makes and special applications
- › can be used universally with any control units
- › integrated antenna; optional external antenna (# 7004) can be connected
- › Power supply: AC/DC 12–24 V
- › Control output: 2 potential-free relay contacts (normally open contacts, 1 A, DC 24 V)
- › Dimensions: 109 × 40 × 32 mm
- › Memory: 112 radio commands can be programmed
- › pre-assembled cable (length: approx. 400 mm)
- › Operating mode: Impulse mode (jog): Relay activated as long as radio signal is present

4796V001

**Rod antenna**

- › For operators and receivers with Somloq Rollingcode (FM 868.8 MHz) and SOMloq2 (FM 868.95 MHz), for example SOMup4 S2
- › External antenna for garage door, swing and sliding gate operators, booms and various radio receivers
- › with 50 Ohm coaxial cable

7004V003	with 2 m cable
7004V001	with 6 m cable
7004V000	with 10 m cable
7004V002	with 16 m cable



**FunkManager S**

- › programmable via radio control system for controlling roller shutters, blinds and awnings
- › for flush mounting (deep standard socket)
- › not compatible with Telecody, ENTRAsys and ENTRApin
- › Coding: Somloq Rollingcode FM 868.8 MHz
- › Rated voltage: AC 230 V ± 10 %
- › Rated frequency: 50/60 Hz
- › Relay output: 4 A, 50/60 Hz
- › Dimensions: 48 × 51 × 26.5 mm
- › Operating mode: targeted OPEN and CLOSE
- › Degree of protection IP30

5980V000**FunkManager S in set**

- › programmable via radio control system for controlling roller shutters, blinds and awnings
- › for flush mounting (deep standard socket)
- › not compatible with Telecody, ENTRAsys and ENTRApin
- › Coding: Somloq Rollingcode FM 868.8 MHz
- › Rated voltage: AC 230 V ± 10 %
- › Rated frequency: 50/60 Hz
- › Relay output: 4 A, 50/60 Hz
- › Dimensions: 48 × 51 × 26.5 mm
- › Operating mode: targeted OPEN and CLOSE
- › Degree of protection IP30
- › including 4-command handheld transmitter Classic (# 4020V000)

5990V000



5-command handheld transmitter (standard design)

- › self-learning
- › LED function control
- › Range of approx. 50 m, depending on the surroundings
- › Battery: 9 V, Type 6F22
- › Dimensions: 107 × 58 × 25 mm

4004V001



2-command handheld transmitter (miniature design)

- › self-learning
- › LED function control
- › Range: approx. 25 m (depending on the surroundings)
- › Battery: 12 V, Typ GP23A
- › Dimensions: 62 × 47 × 18 mm

4050V000





1-command handheld transmitter

> Compatible replacements for the handheld transmitters pictured above, which were sold before 1994.

7441







Smart Home





Smart Home

SOMweb.....	176
Telecody Courier.....	178
ismartgate.....	180
IP cameras.....	183
Modules.....	184



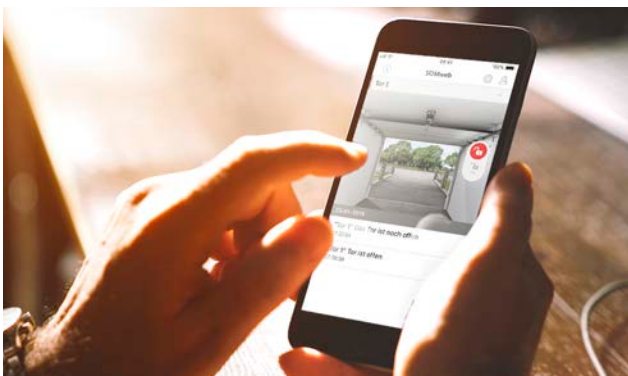
SOMweb

The secure Smart Home solution

SOMweb is the secure Smart Home solution where your data stay in the garage. This system enables you to control operators via a smartphone app or web browser. The data are safe, as they are not saved on external servers, but quite literally remain at home.

Functions

- › Open or close the door
- › Check the door status
- › Up to 10 operators can be controlled with a SOMweb.
- › Optional video function in combination with a camera
- › User management and access control
- › Real-time notification of door or gate movements by app or e-mail.
- › The **HomeKit** technology allows the use of the Apple Home App to create set-ups combining various devices. For example, to switch the hall light on automatically when you open the garage in the evening.
- › Creation of own events via the **IFTTT** platform. For example, automatic opening and closing of the garage at a defined distance from the door or at a specified time.
- › Supports **voice control** via **Siri**, **Google Assistant** and **Amazon Alexa**.



Technology

- › **No saving or processing of data on external servers.**
- › Communication between SOMweb and radio receiver via SOMloq2 radio control system with 128-bit AES encryption. No wiring to the operator is necessary.
- › The SOMweb requires no additional sensors for detection of the door status.
- › Integrated WiFi module
- › USB port (e. g. for connection of a LAN adapter)
- › Universal for smartphone, tablet or PC
- › Apps for operation are available for Android and iOS.
- › Operation is possible via all common browsers. This makes the system independent of the operating system used.
- › Can be controlled via the home network or via the Internet

Compatibility

Smart Home solution for operators, barriers and roller door control units with SOMloq2 radio system. To find out whether your product is compatible with SOMweb, see www.som4.me/sh. Further operator types and radio receivers to follow.



SOMweb app

Free apps for the Android operating system and iOS are available for download from Google Play and in the App Store.



SOMweb

- › Smart Home solution; FM 868.95 MHz; WiFi
- › Operators, barriers and roller door control units can be controlled via smartphone, tablet or PC
- › for operators, barriers and roller door control units with SOMloq2 radio system
- › To find out whether your product is compatible with SOMweb, see www.som4.me/sh.

S11342-00001



The operator only functions with a connected photocell.



Telecody Courier

How to equip your garage with the smart courier function



This smart courier function from SOMMER allows the delivery service employee to deposit a parcel in your garage. The opening height of the garage door can be defined individually. You can choose between two security levels: The door can be opened via the red button or an individual numeric code.

Function

The Telecody Courier means it is no longer necessary to collect from a parcel shop, from a packing station or from a neighbour. All it takes is a short trip to the garage.

Safety

The parcels can be safely stowed in the garage, protected against access from third parties and the weather. The access code is assigned individually and the opening function can be paused at any time.

On-time and stress-free

Parcels can be delivered to you on the first attempt every time. How? Simply enter the storage location "Garage" with the parcel delivery company, e.g. DHL. The door is then opened via the red button or a numeric code. The numeric code can also be specified at the storage location.

Radio code keypad

The Telecody Courier can also be used as a radio code keypad.





The parcel cannot be delivered because no-one is home.



With the Telecody Courier, the parcel can be placed in your garage.



The door opens a short distance and closes automatically once the parcel has been deposited.



Telecody Courier handheld transmitter

- › Also ideal as radio code keypad
- › With illuminated keys
- › Memory locations: 10 different access codes, 2 unencrypted buttons or the courier function
- › weather-proof; can be used indoors and outdoors
- › Radio receiver confirms received commands, an LED on the transmitter acknowledges receipt
- › further advantages of SOMloq2: Hop function
- › including aluminium holder and mounting material
- › IP code IP64
- › Range of approx. 50 m, depending on the surroundings
- › Battery: 3 V, Type CR123A
- › Dimensions: 147×48×30 mm
- › Temperature range: -20 °C to +55 °C

Black

S12829-00001

White

S12829-00003



From a partial garage opening of 30 cm in height, a photocell is obligatory.





ismartgate PRO for garage doors

- › Smart Home solution for controlling 3 operators
- › Supports up to 3 radio-controlled or wired sensors for querying the gate or door status.
- › Operators can be controlled via smartphone, tablet or PC
- › Can be programmed to play an individual melody during opening and closing.
- › HomeKit technology allows the use of the Apple Home App.
- › Supports voice control via Siri and Google Assistant. Voice control via Amazon Alexa is possible using IFTTT.
- › User management and access control
- › Real-time notification of door or gate movements by app or e-mail.
- › Optional video function via bookable video plug-in.
- › Integrated WiFi module
- › Wired connection between operator and ismartgate PRO.
- › ismartgate PRO incl. radio tilt sensor (IP65), plug-in power supply unit, batteries and mounting material

S12271-00001



ismartgate PRO for yard gates

- › Smart Home solution for controlling 3 operators
- › Supports up to 3 radio-controlled or wired sensors for querying the gate or door status.
- › Operators can be controlled via smartphone, tablet or PC
- › Can be programmed to play an individual melody during opening and closing.
- › HomeKit technology allows the use of the Apple Home App.
- › Supports voice control via Siri and Google Assistant. Voice control via Amazon Alexa is possible using IFTTT.
- › User management and access control
- › Real-time notification of door or gate movements by app or e-mail.
- › Optional video function via bookable video plug-in.
- › Integrated WiFi module
- › Wired connection between operator and ismartgate PRO.
- › ismartgate PRO incl. radio magnetic sensor (IP65), plug-in power supply unit, batteries and mounting material

S12271-00002





ismartgate LITE for garage doors

- › Smart Home solution for controlling one operator
- › Supports a radio sensor for querying the gate or door status.
- › Operators can be controlled via smartphone, tablet or PC
- › HomeKit technology allows the use of the Apple Home App.
- › Supports voice control via Siri and Google Assistant. Voice control via Amazon Alexa is possible using IFTTT.
- › User management and access control
- › Real-time notification of door or gate movements by app or e-mail.
- › Optional video function via bookable video plug-in.
- › Integrated WiFi module
- › Wired connection between operator and ismartgate LITE.
- › ismartgate LITE incl. radio tilt sensor (IP65), plug-in power supply unit, batteries and mounting material

S12378-00001



ismartgate LITE for yard gates

- › Smart Home solution for controlling one operator
- › Supports a radio sensor for querying the gate or door status.
- › Operators can be controlled via smartphone, tablet or PC
- › HomeKit technology allows the use of the Apple Home App.
- › Supports voice control via Siri and Google Assistant. Voice control via Amazon Alexa is possible using IFTTT.
- › User management and access control
- › Real-time notification of door or gate movements by app or e-mail.
- › Optional video function via bookable video plug-in.
- › Integrated WiFi module
- › Wired connection between operator and ismartgate LITE.
- › ismartgate LITE incl. radio magnetic sensor (IP65), plug-in power supply unit, batteries and mounting material

S12378-00002





Radio tilt sensor

- › For ismartgate PRO and ismartgate LITE
- › Transmits the status of the garage door to the ismartgate
- › Integrated temperature sensor
- › IP code IP65
- › Incl. batteries

S12272-00001



Radio magnetic sensor

- › For ismartgate PRO and ismartgate LITE
- › Transmits the status of the yard gate to the ismartgate
- › Integrated temperature sensor
- › IP code IP65
- › Incl. batteries

S12272-00002





ismartgate outdoor IP camera

- › Watertight outdoor IP camera for outdoor applications
- › HD resolution (1080p)
- › Night vision up to 20 metres
- › Watertight (IP66)
- › 105° wide-angle
- › WiFi for wireless connection to the home network
- › Ethernet port for LAN connection
- › Microphone port for optional microphone
- › Compatible with ONVIF NVR/NAS
- › Memory slot for microSD card (max. 128 GB)
- › Cloud storage in Dropbox possible
- › Simple installation
- › Dimensions: 165 × 65 × 150 mm
- › incl. ismartgate code for 1 year video plugin
- › Compatible with Smart Home solution SOMweb and ismartgate

S12656-00002



Outdoor camera mounting plate

- › Waterproof mounting plate for the ismartgate outdoor IP camera
- › For stowing the cables without additional junction box
- › Dimensions: 122 × 102 × 33 mm (W × H × D)
- › Incl. mounting template, mounting material and rubber seal

S12887-00001

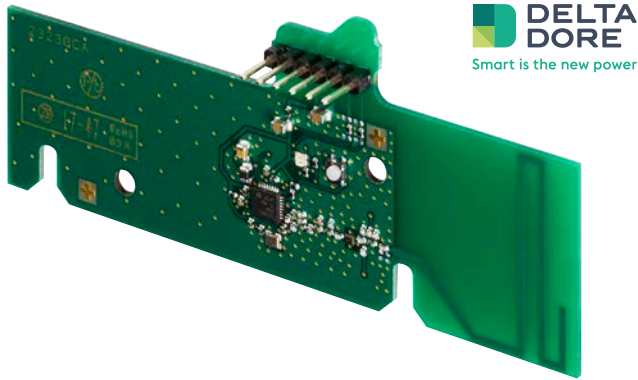


ismartgate indoor IP camera

- › Ideal for use in a garage. Via a Smart Home system, for example, you can open the garage door for the postman and close it again afterwards.
- › HD resolution (1080p)
- › Night vision up to eight metres
- › 103° wide-angle
- › Two-way audio: listen and speak
- › WiFi for wireless connection to the home network
- › Ethernet port for LAN connection
- › Memory slot for microSD card (max. 128 GB)
- › Simple installation
- › Magnetic camera mount for attachment to metallic surfaces
- › Three-dimensional alignment option for the camera head
- › incl. ismartgate code for 1 year video plugin
- › Compatible with Smart Home solution SOMweb and ismartgate

S12655-00002

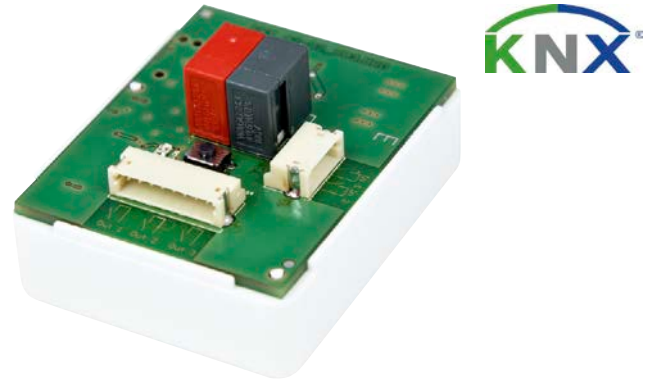




Delta Dore X3D module

- › Module for integration of garage door operators, sliding gate operators and roller door control units with SOMloq2 radio system into the Smart Home system from Delta Dore
- › Allows you to control and query the position of the operators via the Tydom app from Delta Dore
- › To find out whether your operator is compatible with the Delta Dore X3D module, see www.som4.me/sh.
- ⓘ The operator only functions with a connected photocell.

S11561-00001



KNX A3-B2 gate and door operator control module

- › The gate and door operator control module in the installation housing has three outputs for gate/door control and two binary inputs.
- › Inputs: 2× binary inputs (for potential-free contacts), maximum line length 5 m
- › Outputs: 3× semi-conductor output, max. AC/DC 60 V, 300 mA
- › Dimensions: 38×47×24 mm (B×H×T)
- › IP code IP20

46072V000







Access systems





Access systems

ENTRAsys ⁺	188
ENTRAcode ⁺	194
ENTRApin ⁺	200
Wired	201





ENTRAsys⁺

Open your gate with the touch of a finger

Our ENTRAsys⁺ finger scanner opens garage doors, yard gates and house doors based on biometric identification at the touch of a finger. This SOMMER product is a reliable access control system. It allows doors and gates to be opened without a key or access card. A fingerprint is all that authorised users need to gain access.



Opening via fingerprint

You can open doors and gates easily with a fingerprint thanks to the biometric detection system.

High memory capacity

50-80 prints can be stored, depending on the complexity of the fingerprints. Up to 9 prints can be assigned administrator rights. These administrators can then share or withdraw access rights.

Safety thanks to encrypted radio control system

This access system offers maximum protection against hackers thanks to 128-bit AES encryption with Rollingcode. Backward compatibility of the transmitters to the Somloq Rollingcode radio control system is always available. Unlike wired systems, no short-circuiting or bridging is possible.

Quick detection

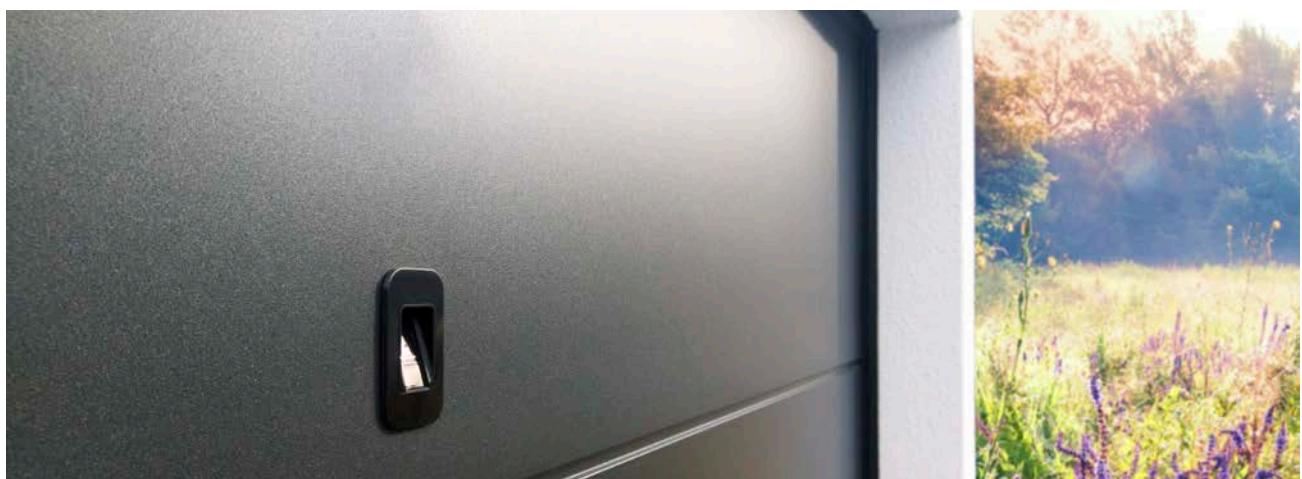
The modern stripe sensor ensures a high and fast rate of fingerprint recognition.

Excellent protection against manipulation

Live finger recognition prevents manipulation using duplicate fingerprints. Only the print of a "live" finger identified and stored in the system can be used to gain access.

Adjustable functions

The integrated lighting and heatable scanning area offer added convenience. Time-delayed transmission can also be set. In the event of repeated unauthorised attempts to gain access, the Access Control function allows you to send a radio command to a further receiver which is connected to an alarm system, thus offering added security.





ENTRASys⁺ for house doors

- › Encrypted and secure-transmission wireless connection between the finger scanner in the door and radio receiver in the door profile
- › Unlike wired systems, no short-circuiting or bridging possible
- › System data is retained and the door remains securely locked in the event of a power failure.
- › Flexible usage options in addition to the door, e.g. exterior lighting, alarm system and gate operator can be controlled
- › Memory locations: 50–80 fingerprints
- › Administrators: 9 fingerprints
- › Radio commands: 4
- › Radio frequency: FM 868.95 MHz (SOMloq2), FM 868.8 MHz (Somloq Rollingcode)
- › Range: approx. 25 m (depending on the surroundings)
- › Dimensions: Finger scanner: 87×47×26 mm, radio receiver: 120×24×37 mm
- › Power supply: AC 12 V, DC 12–24 V
- › Temperature range: –25 °C to +65 °C
- › IP code IP65
- › Scope of delivery: ENTRASys⁺ core module with scanner unit, faceplate in brushed stainless steel, radio receiver for door profiles

S11191-00001

Matching accessories



Connection cable set for house doors

S11594-00001

Page 271



Connection cable set for house doors

S11594-00007

Page 271





ENTRASys⁺ for sectional doors

- › For sectional doors with garage door operator SOMMER base⁺ or SOMMER pro⁺
 - › Cables are virtually invisible due to the travelling motor carriage
 - › Power is supplied via the motor carriage. No spiral cable is necessary.
 - › For sectional doors with four sections (panels), installation in the uppermost section
 - › Suitable for door panels from a thickness of 40 mm
 - › Unlike wired systems, no short-circuiting or bridging possible
 - › Special door fitting can also be used as a drill template
 - › Easy installation with the optional tool set # S11675-00001
- › Memory locations: 50–80 fingerprints
 - › Administrators: 9 fingerprints
 - › Radio commands: 4
 - › Radio frequency: FM 868.95 MHz (SOMloq2), FM 868.8 MHz (Somloq Rollingcode)
 - › Range: approx. 25 m (depending on the surroundings)
 - › Dimensions: Finger scanner: 87×47×26 mm
 - › Power supply: AC 12 V, DC 12–24 V
 - › Temperature range: –25 °C to +65 °C
 - › IP code IP65

Set with stainless steel faceplate

- › Scope of delivery: ENTRAsys⁺ core module with scanner unit, faceplate in brushed stainless steel, pre-assembled connecting cable, door bracket, cutting template

S11614-00001

Set with black stainless steel faceplate

- › Scope of delivery: ENTRAsys⁺ core module with scanner unit, faceplate in black brushed stainless steel, pre-assembled connecting cable, door bracket, cutting template

S11614-00004

Matching accessories



Tool set

S11675-00001

Page 271





ENTRASys⁺ for universal application

- › Encrypted and secure transmission wireless connection between finger scanner and radio receiver
- › Unlike wired systems, no short-circuiting or bridging possible
- › Flexible usage options, e.g. door operator, house door, lighting and alarm system can be controlled
- › Ideal for use with electric openers, motor and automatic locks
- › Memory locations: 50–80 fingerprints
- › Administrators: 9 fingerprints
- › Radio commands: 4
- › Radio frequency: FM 868.95 MHz (SOMloq2), FM 868.8 MHz (Somloq Rollingcode)
- › Range: approx. 25 m (depending on the surroundings)
- › Dimensions: Finger scanner: 87×47×26 mm
- › Power supply: AC 12 V, DC 12–24 V
- › Temperature range: –25 °C to +65 °C
- › IP code IP65
- › Scope of delivery: ENTRASys⁺ core module with scanner unit, faceplate in brushed stainless steel

S11189-00001

Matching accessories



Universal power supply

#10361

Page 271





ENTRASys⁺ Flush-Mounted

- › With its low installation height of 10 mm, it has an understated design that blends into the façade.
- › Clear lines, a white housing and high-quality stainless steel trim for a timeless design
- › Unlike wired systems, no short-circuiting or bridging possible
- › Ideal for retrofitting thanks to radio technology
- › For flush-mounted boxes in accordance with DIN 49073-1
- › Flexible usage options, e.g. door operator, house door, lighting and alarm system can be controlled
- › Memory locations: 50–80 fingerprints
- › Administrators: 9 fingerprints
- › Radio commands: 4
- › Radio frequency: FM 868.95 MHz (SOMloq2), FM 868.8 MHz (Somloq Rollingcode)
- › Range: approx. 25 m (depending on the surroundings)
- › Dimensions: 94 × 94 × 10 mm
- › Power supply: AC 12 V, DC 12–24 V
- › Temperature range: –25 °C to +65 °C
- › IP code IP65
- › Scope of delivery: ENTRASys⁺ core module with scanner unit in flush-mounting housing, faceplate in brushed stainless steel

S11186-00001



ENTRASys⁺, surface-mounted

- › Clear lines, a white housing and high-quality stainless steel trim for a timeless design
- › Battery-operated, no power supply connection or wiring necessary
- › Unlike wired systems, no short-circuiting or bridging possible
- › Ideal for retrofitting thanks to radio technology
- › Flexible usage options, e.g. door operator, house door, lighting and alarm system can be controlled
- › Memory locations: 50–80 fingerprints
- › Administrators: 9 fingerprints
- › Radio commands: 4
- › Radio frequency: FM 868.95 MHz (SOMloq2), FM 868.8 MHz (Somloq Rollingcode)
- › Range: approx. 25 m (depending on the surroundings)
- › Dimensions: 64.5 × 130 × 37 mm
- › Battery: 4× Mignon (AA), 1.5 V
- › Temperature range: –20 °C to +55 °C
- › Scope of delivery: ENTRASys⁺ core module with scanner unit (IP65) in surface-mounting housing, faceplate in brushed stainless steel, 4× batteries

S10998-00001





ENTRAcode⁺

Open your door with an individually programmable numeric code

ENTRAcode⁺ – the access control system with individually programmable numeric code. Doors can be opened without keys or access cards. The illuminated keypad does not leave you in the dark when you're entering your individual numeric code. The ENTRACode⁺ is available in three versions tailored to your installation situation. The core module and the flush-mounted version are supplied with power via a mains connection. The surface-mounted version is battery-operated.



No key or access card necessary

ENTRAcode⁺ works with a numeric code of at least 4 and no more than 8 digits. You can set the code yourself.

Safety thanks to encrypted radio control system

This access system offers maximum protection against hackers thanks to 128-bit AES encryption with Rollingcode. Backward compatibility of the transmitters to the Somloq Rollingcode radio control system is always available. Unlike wired systems, no short-circuiting or bridging is possible.

LED status displays

Integrated LEDs give you precise status messages using defined signals. For example, you are informed about low batteries or malfunctions in a timely manner.

Adjustable functions

The active time function allows you to send a radio command again by pressing any key, for example in order to stop a garage door. Time-delayed transmission can also be set.





ENTRAcode⁺ for house doors

- › Encrypted and secure-transmission wireless connection between the code keypad in the door and radio receiver in the door profile
- › Unlike wired systems, no short-circuiting or bridging possible
- › System data is retained and the door remains securely locked in the event of a power failure.
- › Flexible usage options in addition to the door, e.g. exterior lighting, alarm system and gate operator can be controlled
- › 1 command in Standard mode, 5 commands in Extended mode.
- › Guest code function in Standard mode with simplified programming, for short-term rentals.
- › Radio commands: 1–5
- › Radio frequency: FM 868.95 MHz (SOMloq2), FM 868.8 MHz (Somloq Rollingcode)
- › Range: approx. 25 m (depending on the surroundings)
- › Dimensions: Code keypad: 87 × 47 × 26 mm, radio receiver: 120 × 24 × 37 mm
- › Power supply: AC 12 V, DC 12–24 V
- › Temperature range: –25 °C to +65 °C
- › IP code IP65
- › Scope of delivery: ENTRAcodes⁺ core module with code keypad, faceplate in brushed stainless steel, radio receiver for door profiles

S11192-00001

Matching accessories



Connection cable set for house doors

S11594-00001

Page 271



Connection cable set for house doors

S11594-00007

Page 271



ENTRAcode⁺ for sectional doors

- › For sectional doors with garage door operator SOMMER base⁺ or SOMMER pro⁺
 - › Cables are virtually invisible due to the travelling motor carriage
 - › Power is supplied via the motor carriage. No spiral cable is necessary.
 - › For sectional doors with four sections (panels), installation in the uppermost section
 - › Suitable for door panels from a thickness of 40 mm
 - › Unlike wired systems, no short-circuiting or bridging possible
 - › Special door fitting can also be used as a drill template
 - › Easy installation with the optional tool set # S11675-00001
- › 1 command in Standard mode, 5 commands in Extended mode.
 - › Guest code function in Standard mode with simplified programming, for short-term rentals.
 - › Radio commands: 1–5
 - › Radio frequency: FM 868.95 MHz (SOMloq2), FM 868.8 MHz (Somloq Rollingcode)
 - › Range: approx. 25 m (depending on the surroundings)
 - › Dimensions: Code keypad: 87 × 47 × 26 mm
 - › Power supply: AC 12 V, DC 12–24 V
 - › Temperature range: –25 °C to +65 °C
 - › IP code IP65

Set with stainless steel faceplate

- › Scope of delivery: ENTRAcodet+ core module with code keypad, faceplate in brushed stainless steel, pre-assembled connecting cable, door bracket, cutting template

S11615-00001

Set with black stainless steel faceplate

- › Scope of delivery: ENTRAcodet+ core module with code keypad, faceplate in black brushed stainless steel, pre-assembled connecting cable, door bracket, cutting template

S11615-00004

Matching accessories



Tool set

S11675-00001

Page 271





ENTRAcode⁺ for universal application

- › Encrypted and secure-transmission wireless connection between code keypad and radio receiver
- › Unlike wired systems, no short-circuiting or bridging possible
- › Flexible usage options, e.g. door operator, house door, lighting and alarm system can be controlled
- › Ideal for use with electric openers, motor and automatic locks
- › 1 command in Standard mode, 5 commands in Extended mode.
- › Guest code function in Standard mode with simplified programming, for short-term rentals.
- › Radio commands: 1–5
- › Radio frequency: FM 868.95 MHz (SOMloq2), FM 868.8 MHz (Somloq Rollingcode)
- › Range: approx. 25 m (depending on the surroundings)
- › Dimensions: Code keypad: 87 × 47 × 26 mm
- › Power supply: AC 12 V, DC 12–24 V
- › Temperature range: –25 °C to +65 °C
- › IP code IP65
- › Scope of delivery: ENTRAcod⁺ core module with code keypad, faceplate in brushed stainless steel

S11190-00001

Matching accessories



Universal power supply

#10361

Page 271



ENTRAcode⁺ Flush-Mounted

- › With its low installation height of 10 mm, it has an understated design that blends into the façade.
- › Clear lines, a white housing and high-quality stainless steel trim for a timeless design
- › Unlike wired systems, no short-circuiting or bridging possible
- › Ideal for retrofitting thanks to radio technology
- › For flush-mounted boxes in accordance with DIN 49073-1
- › Flexible usage options, e.g. door operator, house door, lighting and alarm system can be controlled
- › 1 command in Standard mode, 5 commands in Extended mode.
- › Guest code function in Standard mode with simplified programming, for short-term rentals.
- › Radio commands: 1–5
- › Radio frequency: FM 868.95 MHz (SOMloq2), FM 868.8 MHz (Somloq Rollingcode)
- › Range: approx. 25 m (depending on the surroundings)
- › Dimensions: 94 × 94 × 10 mm
- › Power supply: AC 12 V, DC 12–24 V
- › Temperature range: –25 °C to +65 °C
- › IP code IP65
- › Scope of delivery: ENTRAcode⁺ core module with code keypad in flush-mounting housing, faceplate in brushed stainless steel

S11187-00001



ENTRAcode⁺ Surface-Mounted

- › Clear lines, a white housing and high-quality stainless steel trim for a timeless design
- › Battery-operated, no power supply connection or wiring necessary
- › Unlike wired systems, no short-circuiting or bridging possible
- › Keypad with lighting
- › Ideal for retrofitting thanks to radio technology
- › Flexible usage options, e.g. door operator, house door, lighting and alarm system can be controlled
- › 1 command in Standard mode, 5 commands in Extended mode.
- › Guest code function in Standard mode with simplified programming, for short-term rentals.
- › Radio commands: 1–5
- › Radio frequency: FM 868.95 MHz (SOMloq2), FM 868.8 MHz (Somloq Rollingcode)
- › Range: approx. 25 m (depending on the surroundings)
- › Dimensions: 64.5 × 130 × 37 mm
- › Battery: 4× Mignon (AA), 1.5 V
- › Temperature range: –20 °C to +55 °C
- › Scope of delivery: ENTRAcode⁺ core module with code keypad (IP65) in surface-mounting housing, faceplate in brushed stainless steel, 4× batteries

S11188-00001





ENTRApin⁺ radio code keypad

- › opens garage doors and yard gates with an individually programmable numeric code
- › Battery-operated, no power supply connection or wiring necessary
- › Slide-open housing
- › Memory locations: 1 access code
- › Coding: individual, 4–8 digits
- › Keypad: alphanumeric, with lighting
- › status indication: green/red LED (for transmission and faults)
- › Security: unlike wired systems, no short-circuiting or bridging possible
- › Radio commands: 1 (e.g. gate or door)
- › Radio frequency: FM 868.95 MHz (SOMloq2), FM 868.8 MHz (Somloq Rollingcode)
- › Range of approx. 50 m, depending on the surroundings
- › Power consumption: low (battery-saving)
- › IP code IP54

S10357-00001



Cody light coder switchgear

- › Wired coder switchgear with foil keypad in plastic housing
- › activation of one garage door
- › up to 4 access codes can be saved
- › simple programming via DIP switch
- › Power supply: AC/DC 20–28 V or AC 230–240 V
- › Coder switchgear IP54, foil keypad IP65

5212V000

Cody light 1/2 Quadra-line coder switchgear

- › Wired coder switchgear with foil keypad in metal housing
- › activation of two garage doors
- › up to 2 access codes can be saved per door
- › simple programming via DIP switch
- › Power supply: AC/DC 20–28 V or AC 230–240 V
- › Coder switchgear IP54, foil keypad IP65

5213V001



Accessories

Accessories

General	204
System accessories	204
Pulse buttons	208
Photocell	213
Safety contact strips	218
Traffic/warning lights	224
Emergency power supply	228
Service interface	230
Installation aids	232
Garage door operators	233
Lighting	233
Button	234
Special fittings	235
Emergency release	239
Wicket door contacts	241
Additional locking mechanism	242
Rail unit accessories	243
Special accessories	247
Swing gate operators	248
General	248
Fittings for twist 200 E/EL, twist M/ML	251
Fittings for twist 350	256
Fittings for twist XL	258
Fittings for twist AM	262
Sliding gate operators	263
Barriers	267
Tubular motors	268
Access systems	271

General

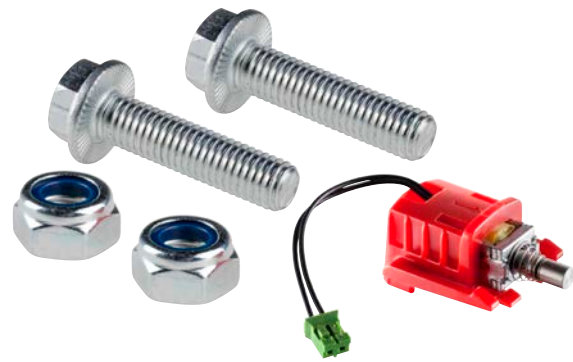


Lock

- > Locking magnet, pluggable, Plug & Play
- > Locks the operator mechanically in any position (ventilation, partial opening, door OPEN and door CLOSE) up to an attack force of 300 kg
- > For SOMMER base⁺, pro⁺, tiga and tiga⁺

1651V000

System accessories



Lock RC 2

- > Locking magnet, pluggable, Plug & Play
- > Locks the operator mechanically in any position (ventilation, partial opening, door OPEN and door CLOSE) up to an attack force of 300 kg
- > Classified in accordance with resistance class RC 2
- > For SOMMER base⁺ and pro⁺

S13122-00001



Senso

- > Humidity sensor, pluggable, Plug & Play
- > Provides a sensor-controlled ventilation function for the reduction of mould in your garage
- > Records the temperature and air humidity in the garage
- > If required, the door is automatically opened by the motor carriage, ensuring perfect circulation
- > When the optimum value is reached, the door is closed
- > For SOMMER base⁺, pro⁺ and RDC Vision⁺

10371



Memo

- > Memory extension, pluggable, Plug & Play
- > Expands the radio memory to 450 handheld transmitter commands
- > Automatic transfer of the programmed transmitters from the internal memory of the operator or radio receiver to the Memo
- > Simple data backup and transfer of handheld transmitter commands to a new operator if service is required
- > Allows the use of transmitter management Codemaster S2
- > For products with radio system SOMloq2 and a Memo slot

10373

System accessories

**Buzzer**

- > Alarm/warning buzzer, pluggable, Plug & Play
- > Can be used as an alarm buzzer reporting a break-in attempt, a warning buzzer during the closing process or a warning buzzer which sounds when the wicket door is open
- > Issues an acoustic signal for 30 seconds if there is an attempted break-in.
- > Pre-warning before the closing process can be set (pulsating beeping tone during the pre-warning time)
- > The duration of the tone when the wicket door is open can be set. This allows use as a passage detector.
- > For SOMMER base⁺, pro⁺, tiga, tiga⁺, STArter S2, STArter S2⁺ RDC Vision⁺ and barriers with radio system SOMloq2

7043V000

**Laser**

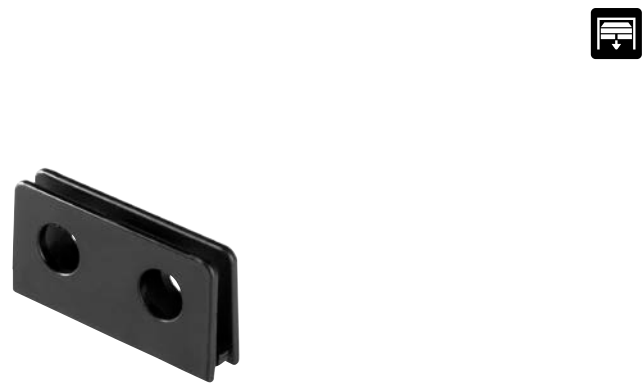
- > Parking position laser, pluggable, Plug & Play
- > allows precise parking in the garage, even without a parking assist system
- > Incl. reflection mirrors and mounting materials
- > For SOMMER base⁺ and pro⁺

10378

**Motion**

- > Motion detector with passive infrared sensor, Plug & Play
- > The operator lighting is automatically switched on in the motor carriage when you enter the garage
- > If Lumi+, Lumi pro⁺ or Relay are used, they are also activated
- > For SOMMER base⁺, pro⁺, tiga and tiga⁺

S10343-00001

**Adapter for push arm**

- > Adapter for attaching Buzzer, Laser or Motion to push arms with a material thickness of up to 5 mm

S11511-00001

General



Lumi+

- > Additional LED lighting
- > DC 24 V, 4 W; corresponds approximately to the light from a 60 W bulb
- > Colour: cold white
- > For SOMMER base+ ceiling control unit

7041V000



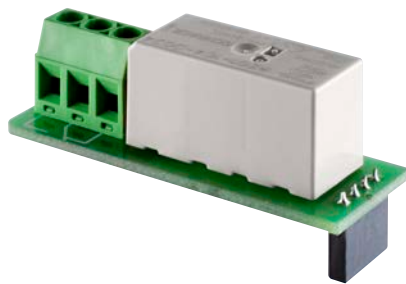
System accessories



Lumi pro+

- > Additional LED lighting
- > DC 24 V, 4 W; corresponds approximately to the light from a 60 W bulb
- > Colour: cold white
- > For SOMMER pro+ wall control unit and RDC Vision+

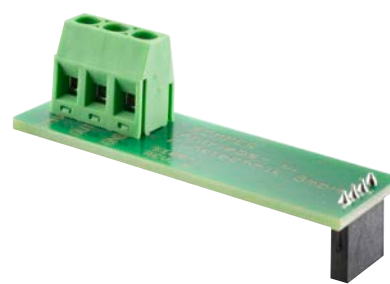
S10205-00001



Relay

- > Relay, pluggable, Plug & Play
- > Potential-free changeover contact
- > For activating external lighting or querying the door status "Door closed"/"Door not closed"
- > With the SOMMER tiga, the relay can be used as a multi-function relay
- > AC 250 V, max. 5 A
- > DC 24 V, max. 5 A
- > For SOMMER base+, pro+, tiga, STArter S2, STArter S2+, RDC Vision+ and barriers with radio system SOMloq2

7042V000



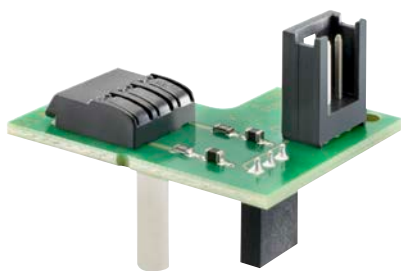
Output OC

- > Pluggable, Plug & Play
- > Contact-free switching
- > Open collector output
- > Transmission of a static signal for display of the door status "Door closed"/"Door not closed" to Smart Home systems or for activation of additional lighting with 24 V
- > max. 18 W
- > DC 24 V, max. 750 mA
- > For SOMMER base+, pro+, tiga, STArter S2, STArter S2+, RDC Vision+ and barriers with radio system SOMloq2

S10854-00001



System accessories



Conex

- > Pluggable, Plug & Play
- > Allows connection of a 2-contact pulse transmitter (e.g. button)
- > Operating mode: Pulse mode/lighting or
"Defined opening" / "Defined closing"
- > For SOMMER base⁺ and pro⁺

S10807-00001

General



Key switch in metal housing (surface-mounted) with cylinder

- > Degree of protection IP54
- > Dimensions: 73.5 × 73.5 × 45 mm
- > incl. ABUS DIN profile half-cylinder 10/30 with 15.000 closings (key removable in centre position) and 3 keys

1-contact

S12758-00001

2-contact

S12759-00001

Pulse buttons



Key switch in metal housing (surface-mounted) without cylinder

- > Degree of protection IP54
- > Dimensions: 73.5 × 73.5 × 45 mm

1-contact

S12760-00001

2-contact

S12761-00001



Key switch in metal housing (flush-mounted) with cylinder

- > Degree of protection IP54
- > Dimensions: 100 × 90 × 55.5 mm
- > Flush-mounted box Ø 60 mm
- > incl. ABUS DIN profile half-cylinder 10/30 with 15.000 closings (key removable in centre position) and 3 keys

1-contact

S12762-00001

2-contact

S12763-00001



Key switch in metal housing (flush-mounted) without cylinder

- > Degree of protection IP54
- > Dimensions: 100 × 90 × 55.5 mm
- > Flush-mounted box Ø 60 mm

1-contact

S12764-00001

2-contact

S12765-00001



Key switch in metal housing 1-contact with cylinder (flush-mounted)

- › Degree of protection IP54
- › Ideal for installation in the gate post
- › Dimensions: 75 × 75 × 52 mm
- › Flush-mounted box Ø 60 mm
- › incl. ABUS DIN profile half-cylinder 10/30 with 15.000 closings (key removable in centre position) and 3 keys

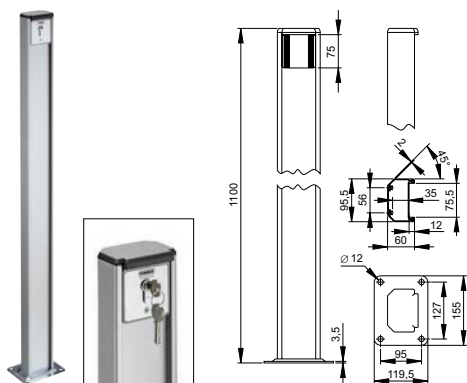
S12766-00001



Key switch surface-mounted/flush-mounted

- › Glass-fibre reinforced plastic housing
- › Degree of protection IP54
- › 1-contact
- › Dimensions: 75 × 75 × 57 mm
- › Flush-mounted box Ø 60 mm
- › incl. ABUS DIN profile half-cylinder 10/30 with 15.000 closings (key removable in centre position) and 3 keys

5001V000



Key switch post

- › Degree of protection IP54
- › Post made of aluminium
- › Key switch, 1 contact with cylinder
- › incl. ABUS DIN profile half-cylinder 10/30 with 15.000 closings (key removable in centre position) and 3 keys

S12769-00001



KeyGarage key safe

- › For safe storage of up to 50 keys, or in combination with release set (# S1142-00001), for protection of the release lever against unauthorised access.
- › Dimensions: 120 × 83.5 × 62 mm
- › Large, stable metal housing
- › Individually programmable numeric code (4-digit)

S1141-00001

General



3-way button

- > Degree of protection IP54
- > Surface-mounted
- > wired
- > UP/STOP/DOWN

Supply line 5 m (4-wire)

S12068-00001

Supply line 7 m (4-wire)

S12068-00002

Supply line 11 m (4-wire)

S12068-00003

Pulse buttons



3-way button, lockable

- > Degree of protection IP65
- > Surface-mounted
- > wired
- > lock OFF/UP/STOP/DOWN
- > Supply line 7 m (4-wire)

S11466-00001



Key switch in metal housing (flush-mounted)

- > Degree of protection IP54
- > Dimensions: 170×100×68 mm
- > Emergency stop
- > feed via cable gland M20
- > incl. ABUS DIN profile half-cylinder 10/30 with 15.000 closings (key removable in centre position) and 3 keys

S12768-00001



Key switch in metal housing (surface-mounted)

- > Degree of protection IP54
- > Dimensions: 131×76×68 mm
- > Emergency stop
- > feed via cable gland M20
- > incl. ABUS DIN profile half-cylinder 10/30 with 15.000 closings (key removable in centre position) and 3 keys

S12767-00001

Pulse buttons

**Main switch**

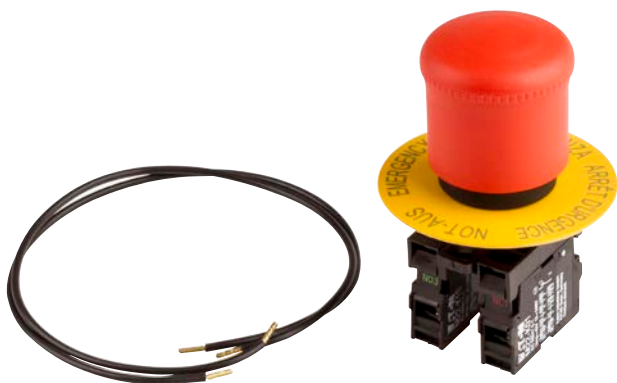
- > lockable
- > Degree of protection IP65
- > 4-pin (prescribed for private and commercial applications)
- > Voltage 600 V/16 A

5026

**Palm button**

- > Degree of protection IP65
- > Emergency stop
- > Plastic housing (self-holding)

5024

**Emergency Stop palm button**

- > Degree of protection IP67
- > Emergency stop button for installation in the control unit housing
- > Incl. emergency stop sign, contact element
NC contact (IP20), contact element NO contact
(IP20) and 2× wires (1× 1.5 mm², L = 400 mm)

10382V000

**Push-button, flat**

- > Degree of protection IP67
- > Push-button for installation in the control unit housing
- > Incl. mounting adapter, contact element NO contact
(IP20) and 2× wires (1× 1.5 mm², L = 400 mm)

10383V000

General



Pull button

- > Degree of protection IP67
- > Cast-aluminium housing with 2.5 m pull rope and cable gland
- > changeover contact

S10798-00002

Pulse buttons



Motion detector RAVE-D

- > DC 12–36 V, AC 12–28 V
- > Activates door and barrier systems
- > Differentiated detection of persons and vehicles, with a potential-free output relay in each case
- > Direction detection and cross traffic masking can be set
- > Simplified setting options through integrated push-buttons or RMS Remote Control, which is available as an option
- > Installation height of up to 7 m possible
- > Detection area:
 - 9,000 × 6,500 mm (D × W) at 5,000 mm installation height and 45° angle of tilt
 - 10,000 × 5,500 mm (D × W) at 7,000 mm installation height and 45° angle of tilt
- > Degree of protection IP67
- > incl. 8 m connecting cable

S10489-00001



Remote control RADAR RC

- > Suitable for programming Rave-D motion detectors
- > Convenient and precise setting with high installation height
- > Works unidirectionally

S13655-00001



RaDec-M motion detector

- > Activates door and barrier systems
- > Standard motion detector with basic functionality
- > Potential-free output relay
- > Installation height of up to 4 m possible
- > Detection area, wide: 2,000 × 4,500 mm (D × W) at 2,200 mm installation height and 30° angle of tilt
- > Detection area, narrow: 4,500 × 2,000 mm (D × W) at 2,200 mm installation height and 30° angle of tilt
- > Degree of protection IP54
- > incl. 2.5 m connecting line

S11066-00001


One-way photocell, can rotate 180°, 4-wire, battery-operated

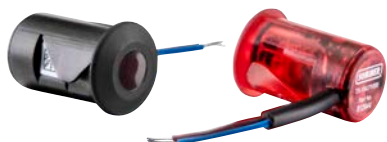
- › Degree of protection IP55
- › Additional installation options through circuit board rotatable through 180°.
- › No mounting brackets required.
- › No cabling between transmitter and receiver.
- › Range limit: 20 m
- › Receiver: AC/DC 12–24 V
- › Transmitter: Battery supply 2× AAA 1.5 V
- › Incl. batteries

S12478-00001


One-way photocell, can rotate 180°, 2-wire

- › Degree of protection IP55
- › Additional installation options through circuit board rotatable through 180°.
- › No mounting brackets required.
- › Range limit: 20 m
- › AC/DC 12–24 V; with relay output
- › Connection: SOMMER 2-wire system

S13494-00001


Frame photocell, 2-wire

- › Degree of protection IP67
- › Range limit: 8 m
- › Connection: SOMMER 2-wire system
- › For installation directly in the frame of the garage door.
- › Incl. mounting caps

S10929-00002


One-way photocell, can rotate 180°, 4-wire

- › Degree of protection IP55
- › Additional installation options through circuit board rotatable through 180°.
- › No mounting brackets required.
- › Range limit: 20 m
- › AC/DC 12–24 V; with relay output

7029V000


Frame photocell, 2-wire

- › Degree of protection IP67
- › Range limit: 8 m
- › Connection: SOMMER 2-wire system
- › For installation directly in the frame of the garage door.
- › incl. mounting caps and pre-assembled connection cable 2× 10 m

S10929-00001


Frame photocell, 2-wire

- › Degree of protection IP67
- › Range limit: 8 m
- › Connection: SOMMER 2-wire system
- › compact design

7028V000

General

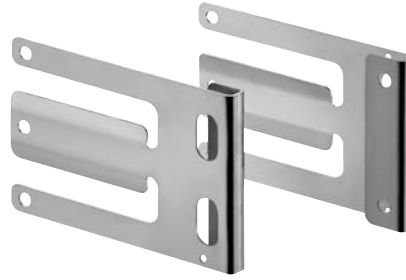


Frame photocell, 2-wire

- > Degree of protection IP67
- > Range limit: 8 m
- > Connection: SOMMER 2-wire system
- > compact design
- > incl. connection cable 20 m

7028V001

Photocell



Mounting plate, frame photocell

- > for photocell #7028V000 and #7028V001

S10600-00001



One-way photocell, 4-wire

- > Degree of protection IP44
- > Range limit: 10 m
- > DC 15–35 V, AC 12–24 V; with relay output
- > incl. mounting bracket

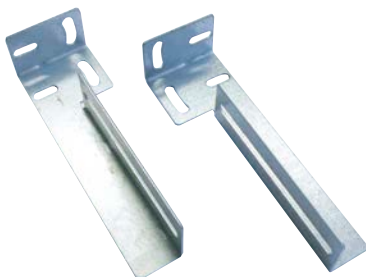
7020V000



One-way photocell, 2-wire

- > Degree of protection IP44
- > Can be connected directly to duo rapido⁺, twist 350, twist XL, SP 900 and RUNner (only 1x per control unit can be connected in each case)
- > Range limit: 8 m
- > DC 15–35 V, AC 12–24 V
- > incl. mounting bracket

7023V000



Universal mounting bracket, set

- > for photocells #7020V000 and #7023V000
- > bracket swivels (up/down)
- > Photocell can be rotated and moved on the bracket

1640V000



Connection cable

- > for photocells
- > Length: 20 m
- > Cross-section: 2x 0.5 mm²
- > Stripped on both sides, with core end sleeves

80134

**Connection cable**

- › for photocells
- › Length: 20 m
- › Cross-section: 4× 0.5 mm²
- › Stripped on both sides, with core end sleeves

S11181-00001

**One-way photocell for wide range, 4-wire**

- › Degree of protection IP67
- › Range limit: 65 m
- › AC/DC 12–240 V; potential-free changeover contact
- › incl. mounting bracket

5229

**Two-way reflector light barrier, power supply only necessary on one side**

- › Degree of protection IP67
- › Range limit: 21 m
- › AC/DC 12–240 V; potential-free changeover contact
- › incl. mounting bracket and reflector

5228

**Two-way reflector light barrier, power supply only necessary on one side**

- › not for SP 900, RUNner and RUNner⁺
- › Degree of protection IP67
- › Range limit: 14 m
- › AC/DC 24–230 V; potential-free changeover contact
- › incl. mounting bracket and reflector

5233

**Two-way reflector light barrier, power supply only necessary on one side**

- › Degree of protection IP67
- › Range limit: 12 m
- › DC 12–240 V, AC 24–240 V; potential-free changeover contact
- › incl. 2 m connecting cable, mounting bracket and reflector

5234V000

**Two-way reflector light barrier 15 m**

- › Degree of protection IP67
- › Range limit: 15 m
- › DC 10–40 V, AC 24 V; potential-free changeover contact
- › incl. reflector

S10970-00001





Weather-proof housing

- > for two-way reflector light barrier # S10970-00001
- > offers protection against rain, fog and snow

S11013-00001



Weather-proof housing

- > for reflector of reflector photocells # 5228, # 5233, # 5234V000 and # S10970-00001
- > thermal separation of reflector and background
- > offers protection against rain, fog and snow

7640V000



Columns for photocells

- > Dimensions: 80×50×470 mm (L×W×H)
- > incl. two columns and mounting material

S11059-00001

Induction loops

**Induction loop detector, 1-channel**

- › Degree of protection IP30
- › For the inductive detection of vehicles
- › Area for use: barrier arms, gates, doors, parking and traffic technology
- › incl. 11-pole plug-in base
- › Relay operating principle selectable
- › Power supply: AC 90–250 V, 50/60 Hz, max. 1.7 W
- › Control output:
 - Relay 1: changeover relay with permanent signal
 - Relay 2: changeover relay with permanent signal (can be switched over to pulse signal)

5406V000

**Induction loop detector, 2-channel**

- › Degree of protection IP30
- › For the inductive detection of vehicles
- › Area for use: barrier arms, gates, doors, parking and traffic technology
- › incl. 11-pole plug-in base
- › Relay operating principle selectable
- › Power supply: AC 90–250 V, 50/60 Hz, max. 1.7 W
- › Control output: one NO contact per channel with permanent signal (relay 2 can be switched over to pulse signal)
- › Evaluation of two loops
- › Presence or direction detection

5412V000

**Induction loop**

- › Inductively assembled loop with 8 m feed
- › For vehicle detection via induction loop detectors
- › For cold sealing

Circumference 5 m

10296V000

Circumference 9 m

10297V000

Circumference 13m

10298V000



General



Safety contact strip, optical

> without sealing lip

3680

Safety contact strips



Bumper set

> For safety contact strip, optical, without sealing lip

> 2 pieces

> Dimensions: 39 × 21 × 25–55 mm (L × W × H)

> M8

5078



Safety contact strip, optical

> with sealing lip

3682



Bumper set

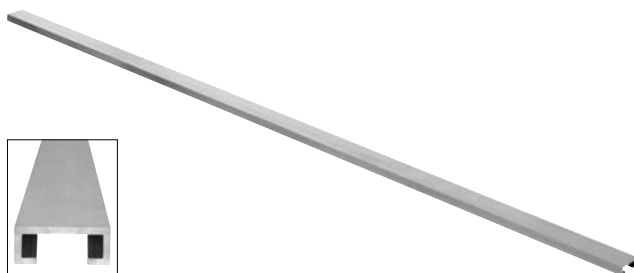
> for safety contact strip with sealing lip

> 2 pieces

> Dimensions: 30 × 18 × 35 mm (L × B × H)

> M8

5079



Aluminium C-rail

> Fits rubber profile (passive) and safety contact strips

Length 1 m

S11847-00001

Length 2 m

S11847-00002

Safety contact strips

**Transmitter and receiver unit**

- > LOW-POWER-SIGNAL
- > for optical safety contact strip
- > with diagnostic display
- > Housing diameter: 12 mm
- > Cable length: 0.5 m/6.5 m

5096V001

- > Range: 1–12 m
- > Operating voltage: Battery operation: 3–6 V, spiral cable: 9–27 V reverse-polarity proof
- > Current consumption: Battery operation: typ. 1.6 mA Spiral cable: typ. 3.8 mA

**GTA OSE connection set**

- > for connection of the optical safety contact strip without a spiral cable directly on the motor carriage
- > incl. optical transmitter and receiver unit (# 5096V001), cable socket and 7 m connecting cable
- > For SOMMER base⁺, pro⁺, tiga and tiga⁺

S10814-00002

RDC Vision⁺ connection set

- > for optical safety contact strip
- > incl. prewired cable socket and spiral cable with terminal

S10848-00003

**Set ADOS 21/12**

- > Adapter plug for OSE
- > Adapter from 21 mm to 12 mm

20764V002

**Set ADOS 15/12**

- > Adapter plug for OSE
- > Adapter from 15 mm to 12 mm

S12739-00001

General



Spiral cable

- > for optical safety contact strip
- > 3 × 0.5 mm²
- > Extended length: 3 m

5073V001

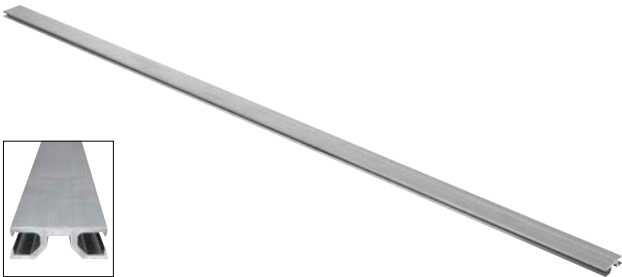
Safety contact strips



Cable socket

- > Degree of protection IP67
- > Cable socket between safety edge and spiral cable
- > Angle cable outlet for spiral cable
- > with insulating screw joint (3-pin)
- > small design
- > Dimensions: 57 × 35 × 21 mm

50046V002



Aluminium profile

- > Fits the following safety contact strips: # S12379-00001, # S12388-00001, # S12382-00001, # S12385-00001

Length 1 m

S11848-00001

Length 2 m

S11848-00002



Safety contact strip, electrical, 8.2 kOhm (H 45 mm)

- > Height: 45 mm
- > Contact profile with lateral clip feet
- > Can be assembled in any length

S12379-00001



End cap (H 45 mm)

- > incl. 2.5 m connecting line

S12380-00001



End cap (H 45 mm)

- > incl. 8.2 kOhm terminal resistor

S12381-00001

Safety contact strips


Safety contact strip with sealing lip, electrical, 8.2 kOhm (H 65 mm)

- > Height: 65 mm
- > Contact profile with lateral clip feet
- > Can be assembled in any length
- > Fits end caps # S12380-00001 and # S12381-00001

S12388-00001


Safety contact strip, electrical, 8.2 kOhm, (H 65 mm)

- > Height: 65 mm
- > Contact profile with lateral clip feet
- > Can be assembled in any length

S12382-00001


End cap (H 65 mm)

- > incl. 2.5 m connecting line

S12383-00001


End cap (H 65 mm)

- > incl. 8.2 kOhm terminal resistor

S12384-00001


Safety contact strip, electrical, 8.2 kOhm (H 85 mm)

- > Ideal for sliding gates
- > Height: 85 mm
- > Contact profile with lateral clip feet
- > Can be assembled in any length

S12385-00001


End cap (H 85 m)

- > incl. 2.5 m connecting line

S12386-00001

General



End cap (H 85 m)

- › incl. 8.2 kOhm terminal resistor

S12387-00001

Safety contact strips



Housing for connecting cable

- › Degree of protection IP65
- › With cable gland
- › Dimensions: 50 × 50 × 35 mm

50046



External evaluation unit

- › for optical and electrical safety contact strips
- › Degree of protection IP65
- › AC 230 V ±10 %
- › Surface-mounted

5095

- › Connection of two optical or several electrical (8.2 kOhm) safety contact strips is possible
- › separate relay for reversion and stop
- › Safety category 3
- › separate connection for slack wire switch/wicket door contact



Inductive signal transmission system

- › for sliding gates up to a gate width of 20 m
- › Degree of protection IP65

- › incl. evaluation unit for 4 electrical safety contact strips 8.2 kOhm (2× mobile / 2× stationary)
- › AC 230 V, 50/60 Hz

5075V002



Safety contact strips

**DoorScout**

- › Wireless signal transmission system for safety contact strip
 - › Compatible with RUNner, RUNner⁺, SP 900, S 900 from software version 3.1 and RDC Vision⁺
 - › incl. 1× receiver on the control unit side (RX), 1× transmitter on the gate side (TX) and 2× AA lithium battery
 - › Range: max. 100 m (depending on the surroundings)
- › Receiver on the control unit side (RX) is plugged onto the operator control unit
 - › Transmitter on the door/gate side (TX):
 - battery-operated (2× AA lithium battery 3.6 V)
 - Degree of protection IP55
 - Dimensions: 190 × 51 × 36 mm

5150V001

General



LED traffic light AC/DC 24 V red

- > for inside and outside; modular design
- > Degree of protection IP65
- > AC/DC 24 V, max. 1.5 W
- > Dimensions: 160×160×180 mm (B×H×T)
- > incl. mounting material
- > for SOMMER base⁺, pro⁺, tiga, tiga⁺ and barriers with SOMloq2 radio system

5230V000



LED traffic light AC 230 V red

- > for inside and outside; modular design
- > Degree of protection IP65
- > AC 230 V; max. 5 W
- > Dimensions: 160×160×180 mm (B×H×T)
- > incl. mounting material

5231V000

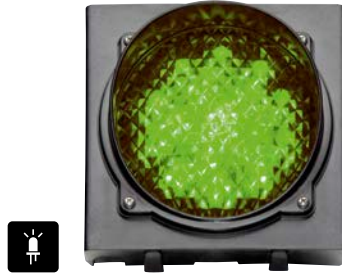


LED light bulb E14

- > for conversion of 230 V traffic lights
- > Lampholder E14
- > DC 10–30 V, 4 W
- > AC 10–18 V
- > Colour: cold white
- > not dimmable

S11449-00001

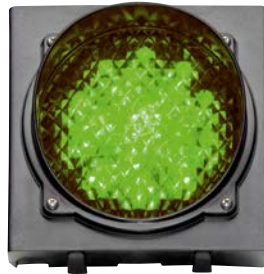
Traffic / warning lights



LED traffic light AC/DC 24 V green

- > for inside and outside; modular design
- > Degree of protection IP65
- > AC/DC 24 V, max. 1.5 W
- > Dimensions: 160×160×180 mm (B×H×T)
- > incl. mounting material
- > for SOMMER tiga⁺ and barriers with SOMloq2 radio system

3119V000



LED traffic light AC 230 V green

- > for inside and outside; modular design
- > Degree of protection IP65
- > AC 230 V; max. 5 W
- > Dimensions: 160×160×180 mm (B×H×T)
- > incl. mounting material

5232V000



LED light bulb E27

- > for conversion of 230 V traffic lights
- > Lampholder E27
- > DC 10–30 V, 4 W
- > AC 10–18 V
- > Colour: cold white
- > not dimmable

S11450-00001



Lumi Strip holder set traffic light

- › LED red-green traffic light
- › Colour: red/green (6 LEDs each)
- › Stainless steel holder for up to 3 Lumi Strips.
- › Inconspicuous, narrow design
- › LED board sealed in plastic housing
- › DC 24 V, 4.5 W per colour row
- › 8 m connection line
- › Dimensions of Lumi Strip: 287×8×17.2 mm (L×B×H)
- › An optional Relay or Output OC may be required.
- › Set comprising 1× Lumi Strip holder and 1× Lumi Strip traffic light

S12706-00001



Lumi Strip holder set lighting/warning light

- › LED warning light
- › Colour: cold white/yellow (6 LEDs)
- › Stainless steel holder for up to 3 Lumi Strips.
- › Inconspicuous, narrow design
- › LED board sealed in plastic housing
- › DC 24 V, 4.5 W per colour row
- › 8 m connection line
- › Dimensions of Lumi Strip: 287×8×17.2 mm (L×B×H)
- › An optional Relay or Output OC may be required.
- › Set comprising 1× Lumi Strip holder and 1× Lumi Strip lighting/warning light

S12641-00001



Lumi Strip holder set lighting/warning light/traffic light

- › LED red-green traffic light and LED warning light
- › Colour: Red/green (6 LEDs each), cold white/yellow (6 LEDs each)
- › Stainless steel holder for up to 3 Lumi Strips.
- › Inconspicuous, narrow design
- › LED board sealed in plastic housing
- › DC 24 V, 4.5 W per colour row
- › 8 m connection line
- › Dimensions of Lumi Strip: 287×8×17.2 mm (L×B×H)
- › An optional Relay or Output OC may be required.
- › Set comprising 1× Lumi Strip holder, 1× Lumi Strip traffic light and 1× Lumi Strip lighting/warning light

S12747-00001



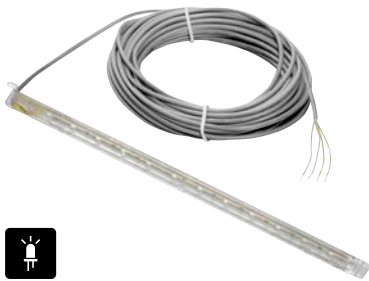


Lumi Strip traffic light

- > LED red-green traffic light
- > Colour: red/green (6 LEDs each)
- > Inconspicuous, narrow design
- > LED board sealed in plastic housing

- > DC 24 V, 4.5 W per colour row
- > 8 m connection line
- > Dimensions: 287×8×17.2 mm (L×B×H)
- > An optional Relay or Output OC may be required.

S11481-00001



Lumi Strip lighting/warning light

- > LED warning light
- > Colour: cold white/yellow (6 LEDs)
- > Inconspicuous, narrow design
- > LED board sealed in plastic housing

- > DC 24 V, 4.5 W per colour row
- > 8 m connection line
- > Dimensions: 287×8×17.2 mm (L×B×H)
- > An optional Relay or Output OC may be required.

S11480-00001



Warning light 24 V

- > Degree of protection IP44
- > not self-blinking
- > Lampholder E14
- > 25 W
- > with light bulb

5069V001



Warning light 230 V

- > Degree of protection IP44
- > not self-blinking
- > Lampholder E14
- > 25 W
- > with light bulb

5070V001

Traffic/warning lights

**LED warning light**

- > Degree of protection IP44
- > DC 12–34 V, AC 24 V
- > not self-blinking
- > lampholder BA15s, 3 W
- > with LED light bulb

5114V000

**Warning LED slim** **NEW**

- > Degree of protection IP44
- > DC 12–36 V, AC 24 V
- > not self-blinking
- > 3 W
- > LED board with yellow LEDs
- > Dimensions: 115 × 80 × 75 mm

S13645-00001

**Wall holder for warning light**

- > For warning light # 5069V001, # 5070V001,
5114V000, # S13645-00001
- > incl. mounting material

S10771-00001



Battery pack

- > In the event of a power failure, the battery pack supplies energy to the operator for up to 12 hours with a maximum of 10 cycles (OPEN/CLOSE).¹⁾
- > for SOMMER tiga⁺, twist AM, twist UG, twist UG⁺, SP 900²⁾, RUNner, RUNner⁺ and barriers with radio system SOMloq2

- > 1.2 Ah; DC 24 V
- > integrated charging electronics with deep discharge protection
- > simple installation in the position provided in the operator housing
- > connection with matching connection cable

Without connection cable

5115V001

With connection cable for battery pack length 780 mm

S13681-00001



Connection cable for battery pack

- > for connection of control unit and battery pack

Length 380 mm

- > for SOMMER tiga⁺, twist AM, twist UG, twist UG⁺, ASB aluminium and ASB steel

20466V001

Length 780 m

- > for SP 900, RUNner and RUNner⁺

20466V000



Installation plate for SP 900

- > for installing the battery pack in the post of the SP 900
- > incl. mounting material

3707V000

Emergency power supply

**Accu**

- > Provides emergency power supply for the operator for 12 hours and 5 door cycles (OPEN/CLOSE)¹⁾
- > 700 mAh, 24 V, NiMH
- > Integrated charging electronics with plug connection
- > simple installation in the position provided in the operator housing
- > For SOMMER base⁺, pro⁺, tiga, twist 200 E/EL and twist M/ML

S10523-00002

**Accu 2.2**

- > Provides emergency power supply for the operator for 36 hours and 75 door cycles (OPEN/CLOSE)¹⁾
- > 2,200 mAh; 24 V, PB
- > Integrated charging electronics with plug connection
- > Temperature range: -10 °C to +40 °C
- > Dimensions: 322 × 105 × 105 mm
- > Incl. 2,000 mm connection cable with 2-pin plug
- > For SOMMER base⁺, pro⁺ and tiga, twist 200 E/EL and twist M/ML

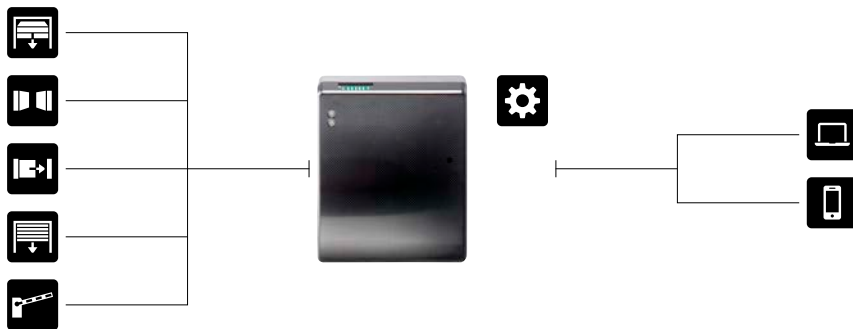
S12628-00001

**Installation bracket for Accu 2.2**

- > For installation on floor or wall
- > Material: galvanised steel

S13704-00001

¹⁾ The performance of the battery is influenced by the external operational conditions. The data may therefore vary from the specified data.



SOMlink S2

With this intelligent control technology for specialist retailers, there are additional options for easily adjusting features and parameters of operators and radio receivers using your smartphone, tablet PC or laptop.

Compatibility

Service interface for operators and radio receivers with SOMloq2 radio system.

Technology

- › Integrated WiFi module
- › Integrated web server
- › Universal for smartphones, tablets or laptops
- › Interface between WiFi and SOMloq2 radio system
- › No saving of data on external servers
- › No on-site Internet connection required! A direct WiFi connection is established between smartphone, tablet PC or laptop and the SOMlink S2.

Diagnosis and service

- › Help with commissioning
 - Delete transmitter
 - Teach force values
 - and much more
- › Changing operator settings
 - Period of illumination
 - Speeds
 - Pre-warning times
 - Configuring safety devices
 - and much more
- › Calibrating force values
- › Reading out, saving and loading system data
- › Reading out diagnostic information
 - Cycle counter
 - Event history
 - Visualisation of the force curves
 - and much more



SOMlink S2 app

This app facilitates connection set-up between your smartphone or tablet and the SOMlink S2. Use all available functions with the app.



SOMlink S2

- › Service interface; FM 868.95 MHz; WiFi
- › No on-site Internet connection required! A direct WiFi connection is established between smartphone, tablet PC or laptop and the SOMlink S2.
- › Features and parameters can be adjusted via smartphone, tablet or laptop
- › **For specialist retailers only!** The sale of this service tool exclusively via specialist retailers ensures correct parametrisation by a trained specialist.
- › for operators and radio receivers with SOMloq2 radio system

S13574-00001



You can access a demo version of the web app at www.som4.me/somlink.



TorMinal

- › The TorMinal is used for reading out and adjusting pre-set values of the SOMMER operator control units. It can also be used to activate and deactivate special functions.
- › For duo vision, duo rapido⁺, twist 200 E/EL, twist 350, twist XL, STARter, STARter⁺, SP 900, S 900, RUNner, RUNner⁺, RDC Vision and RDC 800

3800V000

**LIFTer without case**

- > Installation aid for tension-sprung doors
- > Door can be installed by one technician:
 - saves installation costs
 - increases installation capacity
- > reduces the physical effort required, as you no longer need to lift the door yourself
- > durable and powerful special motor
- > operated with the operator already installed
- > simple control in dead man mode using the handheld transmitter supplied
- > max. traction: 1,100 N
- > max. gate weight: 100 kg
- > For SOMMER base⁺, pro⁺, tiga and tiga⁺

S10941-00001**LIFTer with case**

- > Installation aid for tension-sprung doors
- > Door can be installed by one technician:
 - saves installation costs
 - increases installation capacity
- > reduces the physical effort required, as you no longer need to lift the door yourself
- > durable and powerful special motor
- > operated with the operator already installed
- > simple control in dead man mode using the handheld transmitter supplied
- > max. traction: 1,100 N
- > max. gate weight: 100 kg
- > For SOMMER base⁺, pro⁺, tiga and tiga⁺

S10941-00003**CHECKy**

- > A clever little helper when installing garage doors and carrying out the subsequent function test:
 - CHECKy upright (50 mm): obstacle detection function test at 50 mm.
 - CHECKy flat (20 mm): function test of obstacle detection disabling under 50 mm
 - Bore hole marking for attachment to header/ceiling and the SOMMER pro⁺ wall control unit
- > incl. bore hole marker
- > incl. tool for DIP switch setting and operation of the spring-type terminals

S10547-00001



Lumi Strip lighting

- > LED door leaf lighting
- > Inconspicuous, narrow design
- > LED board sealed in plastic housing
- > DC 24 V, 4.5 W
- > Colour: cold white (6 LEDs)
- > 8 m connection line
- > Dimensions: 287 × 8 × 17.2 mm (L × B × H)
- > An optional Relay or Output OC may be required.

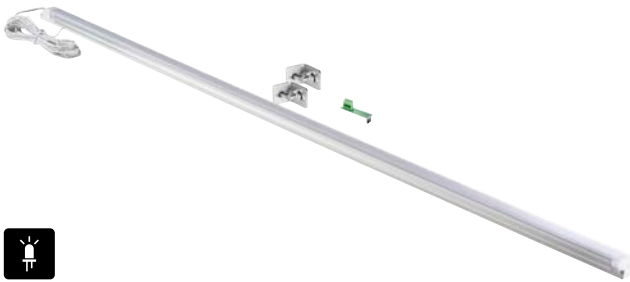
S11479-00001



Lumi Stick lighting

- > LED door leaf lighting for the door leaf or as ambient lighting in the door or fence post
- > Inconspicuous design with star-shaped radiation through diamond-shaped geometry
- > DC 12–24 V, max. 0.6 W
- > Colour: cold white

S11584-00001



Lumi Line lighting

- > LED lighting for the crossbar or rail unit of the garage door
- > DC 24 V, 18 W
- > Colour: cold white
- > 6 m Anschlussleitung
- > Dimensions: 1.240 × 25 × 25 mm (L × B × H)
- > Incl. Output OC and mounting material
- > For SOMMER base⁺ and pro⁺

S12056-00001

Garage door operators



Wallstation (2-wire)

- › 3-command interior wall switch (surface-mounted)
- › Offers three functions:
 - Open, stop and close the door
 - Switch lighting on and off
 - Locking function for radio, external buttons and ventilation function (holiday function)
- › For SOMMER base⁺ and pro⁺

S10834-00001

Button



Surface-mounted push-button set

- › white
- › 1-contact
- › incl. 7.5 m cable

3113

**Bracket for door set, Type H**

- > For sectional door (panel thickness 40 mm) and one piece door Type H
- > Dimensions of door bracket: 100×62.5×16 mm
- > incl. screws and Ben bolt

S10228-00002

**Bracket for door set, Type G**

- > For sectional door Type G
- > Dimensions of door bracket: 100×64×16 mm
- > incl. screws and Ben bolt

S10994-00001

**Bracket for door set, Type RO**

- > For sectional door Type RO
- > Dimensions of door bracket: 130×75×25 mm
- > incl. screws and Ben bolt

S11111-00001

**Bracket for door set, Type TT**

- > For sectional door and one piece door Type TT
- > Dimensions of door bracket: 120×65×20 mm
- > incl. screws and Ben bolt

S11298-00003

**Bracket for door set, flat type**

- > For sectional doors
- > With slots
- > Dimensions of door bracket: 130×55 mm
- > incl. screws and Ben bolt

S11112-00001

**Bracket for door set, Type E** NEW

- > For sectional doors, panel manufacturer epco
- > Plastic insert for panels with vertical section
- > Dimensions: 100×71×30 mm
- > incl. screws, Ben bolts and insert for door bracket

S14071-00001

Garage door operators



Bracket for door set, Type S1

- › Door bracket, one-piece
- › incl. screws and Ben bolt

1650V000

Special fittings



Bracket for door set, Type S2

- › Complete door bracket
- › incl. screws and Ben bolt

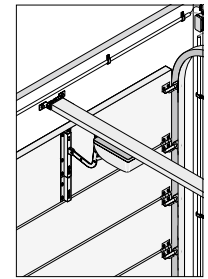
S10201-00001



Push arm hole spacing 700 mm

- › Dimensions: 720×10 mm
- › Perforation distance: 700 mm
- › Galvanised

S13449-00001



Sectional door fitting with boomerang

- › Length adjustable for sectional doors with single rail

3101



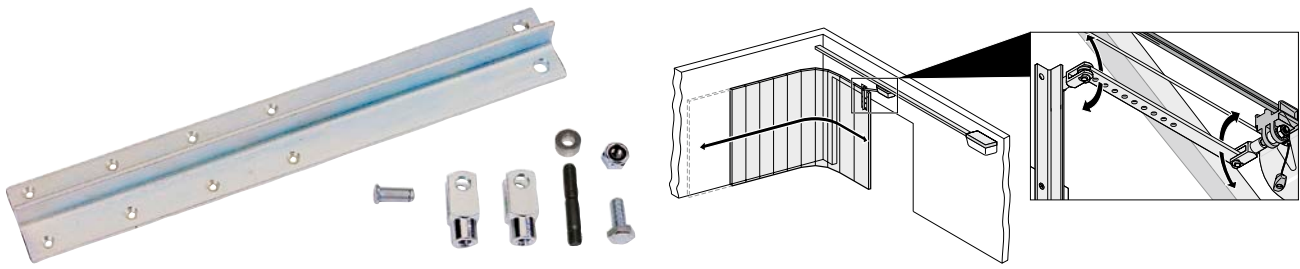
Sectional door fitting without boomerang

- › Length adjustable for sectional doors with double rail
- › Gentle force transmission, e.g. for large doors

3102

Special fittings

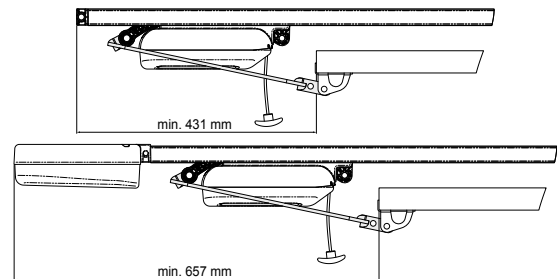
Garage door operators



Side-opening/side-opening sectional door fitting

- > For ceiling mounting with side-opening door or side-opening sectional door

3103



Low headroom bracket set

- > Special fitting for doors with a low lintel height or torsion spring at the rear
- > Reduces the distance from the motor carriage to the door leaf by approx. 24 cm

7044V000

- > incl. rear GTA coupler connection
- > For SOMMER base⁺, pro⁺, tige and tige⁺



GTA coupler connection

- > For a second connection point at the back of the motor carriage
- > For push arms up to 10 mm wide
- > For SOMMER base⁺, pro⁺, tige and tige⁺

S10741-00000

Low headroom bracket

- > Special fitting for doors with a low lintel height or torsion spring at the rear
- > Reduces the distance from the motor carriage to the door leaf by approx. 23 cm
- > For duo vision and duo rapido⁺

3122V000



Garage door operators

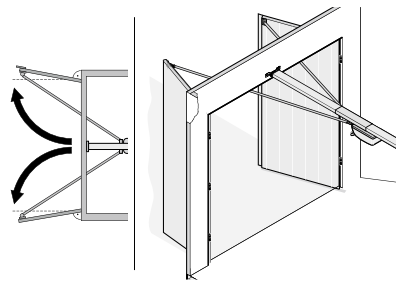


Bracket for hinged double door set

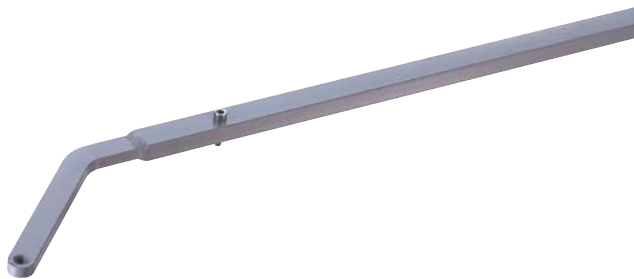
- > Connection set for automation of hinged double doors with garage door operators
- > 2 push rods, one of which with spring-mounted door connection
- > Up to a gate width of 2,800 mm

S10171-00002

Special fittings



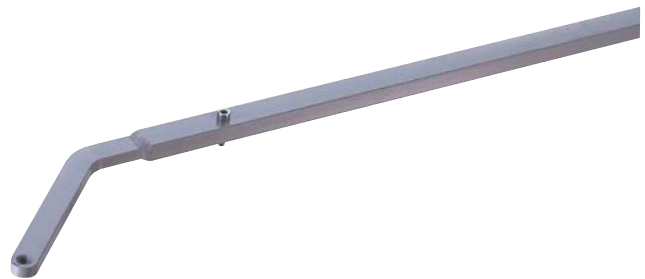
- > Including additional ceiling bracket and GTA coupler connection
- > Can only be used for SOMMER garage door operators with separate control unit.
- ⓘ A longer travel length may be required!



Adjustable push rod, short

- > 1,500–2,500 mm long

3105



Adjustable push rod, long

- > 2,500–3,500 mm long

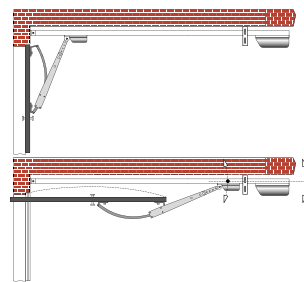
3106



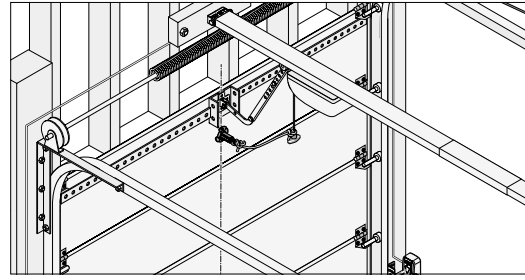
Curved arm

- > For installation on doors with perpendicular guide rail (up-and-over doors)

1500V000



- > The drive-through height is reduced by 170 mm.
- ⚠ Travel length may be up to 700 mm shorter!



Emergency release lock

- › For emergency release from outside with sectional doors, side-opening sectional doors or hinged double doors
- › Quick and easy installation: no step drill necessary
- › 2,200 mm flat cord; protective cover

- › Secure anti-rotation protection: Fixing screws guarantee reliable unlocking at all times
- › Small lock with understated design
- › All "Masterkey" emergency release locks can be opened with # 5116-100V100

Bore hole: Ø13 mm, length: 50 mm, "Standard key"

5116V000

Bore hole: Ø18 mm, length: 50 mm, "Standard key"

80103

Bore hole: Ø13 mm, length: 50 mm, "Masterkey"

5116V100

Bore hole: Ø18 mm, length: 50 mm, "Masterkey"

80104

Bore hole: Ø13 mm, length: 70 mm, "Standard key"

5116V003



Masterkey

- › For emergency release lock # 5116V100 and # 80104

5116-100V100

Key blank for release lock

- › 2 pieces

5116-000V000

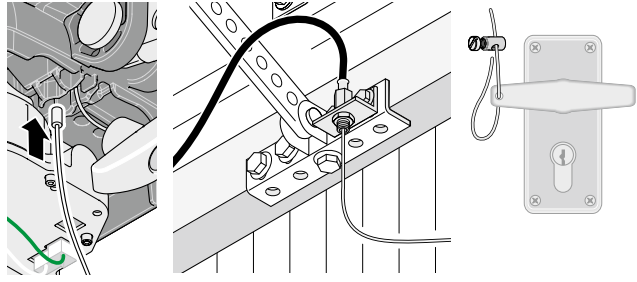


The Masterkey (# 5116-100V100) fits all Masterkey emergency release locks (# 5116V100, # 80104). The Masterkey system is therefore particularly well suited for property managers. The keys provided for the "Masterkey" emergency release locks are not compatible with each other.

Garage door operators



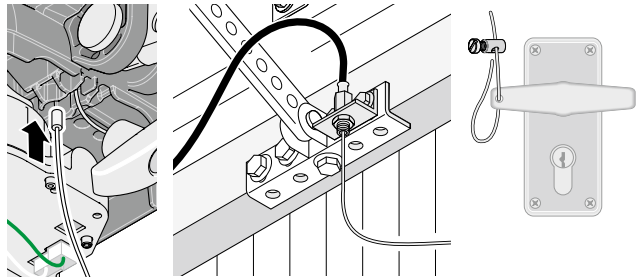
Emergency release



Bowden wire for emergency release (standard)

> Wire 2,300 mm, sheath 550 mm

1612



Bowden wire for emergency release (long)

> Wire 5,000 mm, sheath 4,500 mm

> E.g. In the case of installation of curved arm, extended push rod or hinged double door fitting

1620

Wicket door contacts

Garage door operators

**Wicket door safety device**

- › With assembled cable for connection in the motor carriage

3100

**Wicket door safety device with EN approval**

- › With assembled cable for connection in the motor carriage
- › Complies with EN ISO 14119

3117

**Wicket door switch set**

- › For invisible installation directly in the wicket door
- › Automatic detection of the wicket door switch by the operator software
- › Reed contact
- › AC/DC 12–24 V, max. 10 mA

S11474-00001

- › 5 m connection line
- › Complies with EN 12453
- › Incl. adhesive socket and cable binders
- › For SOMMER base⁺, pro⁺, tiga and tiga⁺

Garage door operators



Additional locking mechanism

- › For automatic locking and unlocking on doors with spring latches
- › With wire 2,500 mm

1609V001

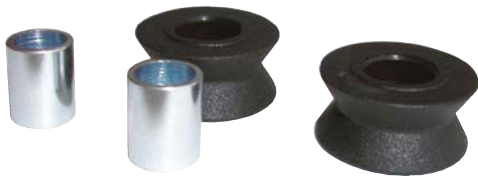
Additional locking mechanism



Spring latch for additional locking mechanism

- › For bottom or side door lock
- › Suitable for additional locking mechanism #1609V001

S13990-00001



Deflection pulley set

- › For locking and unlocking

3104V000



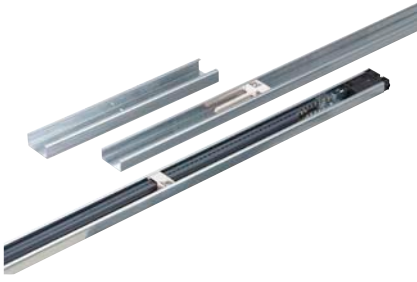
Wire (5,000 mm)

- › With clamping device

50007

Rail unit accessories

Garage door operators

**Rail unit for sprint evolution**

- > Travel length 2,600 mm

1897V000

**Rail unit for duo vision / duo rapido+**

- > Travel length 2,600 mm
- > with 5 m connection cable

1890V000

**Rail unit for duo vision / duo rapido+**

- > Travel length 3,000 mm
- > with 5 m connection cable
- > Including an additional ceiling suspension unit

1891V000

**Rail unit for duo vision / duo rapido+**

- > travel length 3,400 mm
- > with 5 m connection cable
- > Including an additional ceiling suspension unit

1892V000

**Rail extension 800 mm**

- > incl. an additional ceiling suspension unit, connecting sleeve, chain, chain guide and mounting material
- > For sprint evolution, duo vision and duo rapido+

1634V000

**Rail extension 1,600 mm**

- > incl. an additional ceiling suspension unit, connecting sleeve, chain, chain guide and mounting material
- > For sprint evolution, duo vision and duo rapido+

1628V000

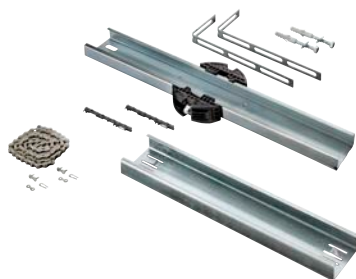
Garage door operators



Chain guide fixing point with a master link

- › Prevents the chain sagging when the garage door operator is operated with two or more extensions (>1,600 mm)

5100

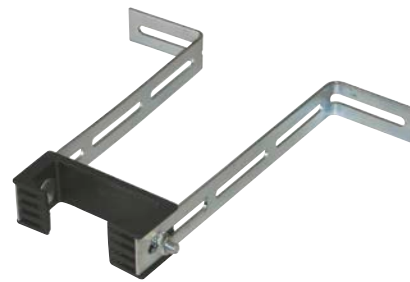


Rail extension 543 mm

- › incl. an additional ceiling suspension unit, connecting sleeve, chain, isolator with magnet and mounting material
- › For SOMMER base⁺, pro⁺, tiga and tiga⁺

S10868-00001

Rail unit accessories



Ceiling suspension unit

- › Electrical and thermal separation of track and ceiling
- › Incl. mounting material
- › For sprint evolution, duo vision and duo rapido⁺

1613



Rail extension 1,096 mm

- › incl. an additional ceiling suspension unit, connecting sleeve, chain, isolator with magnet and mounting material
- › For SOMMER base⁺, pro⁺, tiga and tiga⁺

10460V000

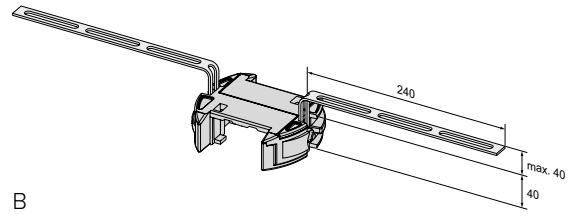
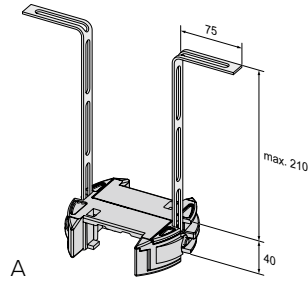


Isolator with magnet set

- › incl. 3-part master link
- › Prevents the chain sagging when the rail is extended
- › Fastening is via magnet in the isolator
- › For SOMMER base⁺, pro⁺, tiga and tiga⁺

10462V003



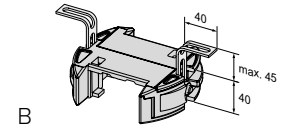
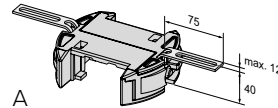
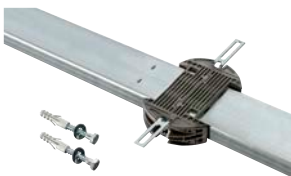


Ceiling suspension unit

- > Electrical and thermal separation of track and ceiling
- > Incl. mounting material

- > Max. distance to the ceiling: 210 mm (A) or 40 mm (B)
- > For SOMMER base⁺, pro⁺, tiga and tiga⁺

1646V000

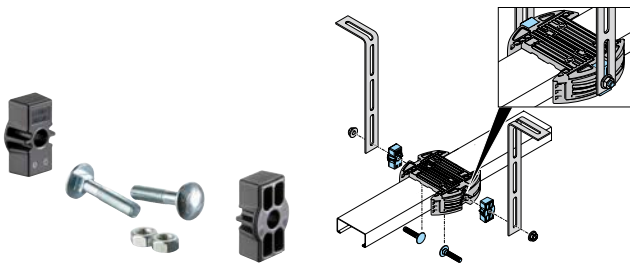


Ceiling suspension unit

- > Electrical and thermal separation of track and ceiling
- > With short perforated strip steel
- > Incl. mounting material

- > Max. distance to the ceiling: 12 mm (A) or 45 mm (B)
- > For SOMMER base⁺, pro⁺, tiga and tiga⁺

1646V002



Insert, ceiling suspension set

- > For use of angle profiles wider than 18 mm for fixing to the ceiling
- > incl. screws
- > For ceiling suspension unit # 1646V000 and # 1646V002

S10178-00001



Ceiling holder

- > Perforated strip steel
- > Dimensions: 1500×30×2.5 mm (L×W×H)
- > Extension for ceiling suspension unit

5037



Garage door operators

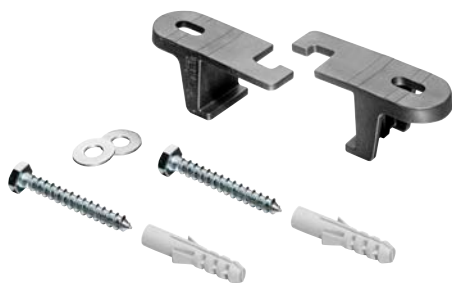
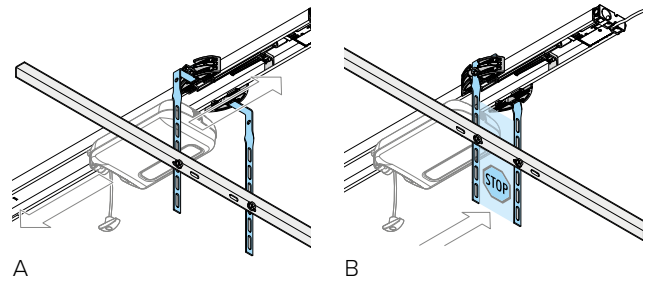


Bracket for door frame

- > for connection of the ceiling suspension unit and crossbar
- > For SOMMER base⁺, pro⁺, tiga and tiga⁺

S10355-00001

Rail unit accessories



Mounting bracket

- > For installation of the track directly on the ceiling
- > Electrical and thermal separation of track and ceiling
- > Incl. mounting material
- > For SOMMER base⁺, pro⁺, tiga and tiga⁺

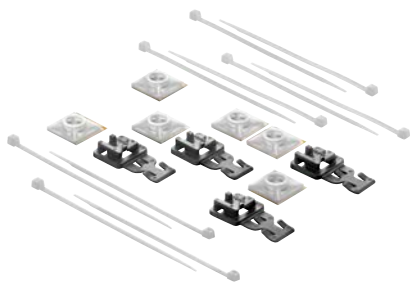
S11929-00001



Chain breaker

- > Tool for quick and easy shortening of chains

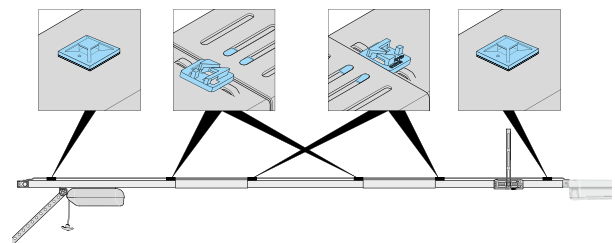
65296V000



Cable holder set

- > For routing and fixing cables via the track to the control unit housing (e.g. photocell connecting cables)

S10940-00001



- > Incl. 4x cable holder, 6x adhesive socket and 10x cable tie
- > For SOMMER base⁺ and pro⁺

**duo mounting set**

- > For mounting the control unit housing directly on the rail
- > For duo vision and duo rapido⁺

927

⚠ Travel length is shortened by 190 mm!

**Fixing ties**

- > For routing cables
- > For bore holes with $\varnothing 6.5$ mm and sheet thicknesses of 1.5–2.5 mm
- > Bag containing 20

S11876-00001

Memo tiga

- > Configuration memory, pluggable, Plug & Play
- > Stores up to 10 different configurations of a multi-function relay
- > For SOMMER tiga and tiga⁺

10377

Swing gate operators



Junction box

- › Plastic housing (IP67, RAL 7035)
- › Dimensions: 85 × 49 × 51 mm
- › Incl. 2 × cable gland with anti-kink protection

S12615-00001

General



Connecting cable set for twist 200 E/EL

- › For connection of a second operator to the control unit housing
- › Incl. 7 m cable, junction box (IP67) and cable glands
- › Cross-section: 2 × 1.5 mm²

3204V000



Connecting cable set for twist 350, twist XL, twist UG and twist AM

- › For connection of a second operator to the control unit housing
- › Incl. 12 m cable, junction box (IP67) and cable glands
- › Cross-section: 5 × 1.5 mm²

3271V000



Connecting cable set

- › For connection of a second operator to the control unit housing
- › Length: 12 m
- › Cross-section: 5 × 1.5 mm²

S12938-00001



twist XS conversion set

- › For the operation of twist 200 E/EL operators at twist XL/XXL control units
- › Cross-section: 5 × 1 mm²

3248V000

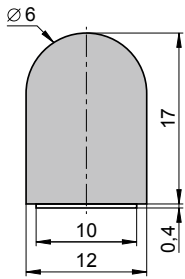


Cable gland for twist control unit

- › 2 × M16 × 1.5 WAF22
- › 1 × M20 × 1.5 WAF27

S10152-00001



**Edge protection profile**

- › Length: 6 m
- › Colour: black
- › Self-adhesive on one side

S10332-00001

**Electric lock (DC 24 V)**

- › Additional protection against vandalism
- › With strike plate and floor strike plate for locking at the side or to the floor
- › Without profile cylinder

3205V003

**Cylinder for electric lock**

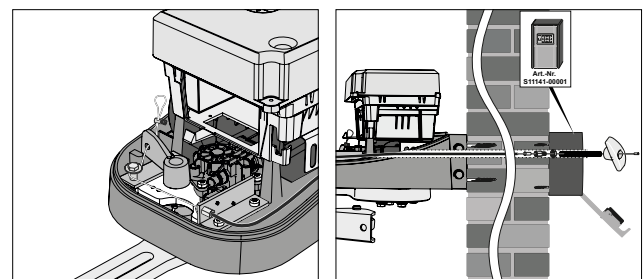
- › Matching profile cylinder for electric lock (#3205V003)
- › Including 3 keys (length: 40 mm, material: brass)

5102V000

**KeyGarage key safe**

- › For safe storage of up to 50 keys, or in combination with release set (#S11142-00001), for protection of the release lever against unauthorised access.
- › Dimensions: 120 × 83,5 × 62 mm
- › Large, stable metal housing
- › Individually programmable numeric code (4-digit)

S11141-00001

**Release set**

- › Wire 5,000 mm, sheath 4,500 mm
- › For emergency release from outside for twist AM

S11142-00001

Swing gate operators



Release set

- › Wire 5,000 mm, sheath 4,500 mm

S11142-00002



Swing gate warning sticker

- › Set with 5 stickers
- › 80 × 110 mm

S13875-00001

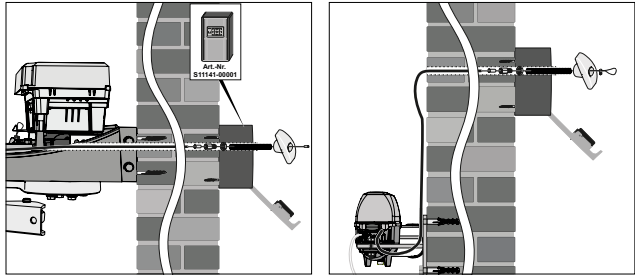


Lumi Stick twist M/ML lighting

- › Optional ambient lighting for swing gate operators twist M and twist ML
- › The ground is illuminated as the door moves.

S13745-00001

General



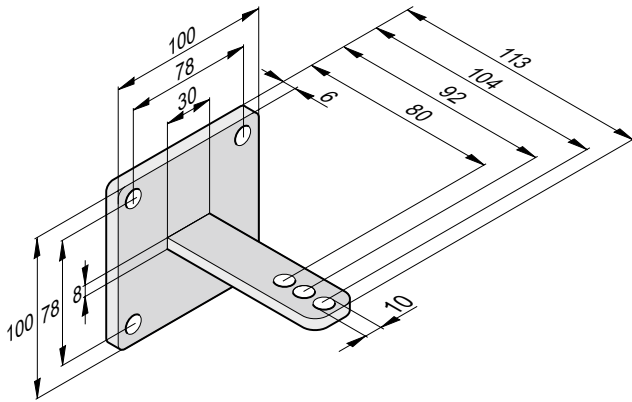
- › For emergency release from outside for twist M, twist ML and twist AM



Safeguard DTA

- › Prevents gate leaves of swing gates falling over if a hinge breaks
- › Wire diameter: 4 mm
- › For swing gate leaves up to a maximum of 500 kg or 5 m

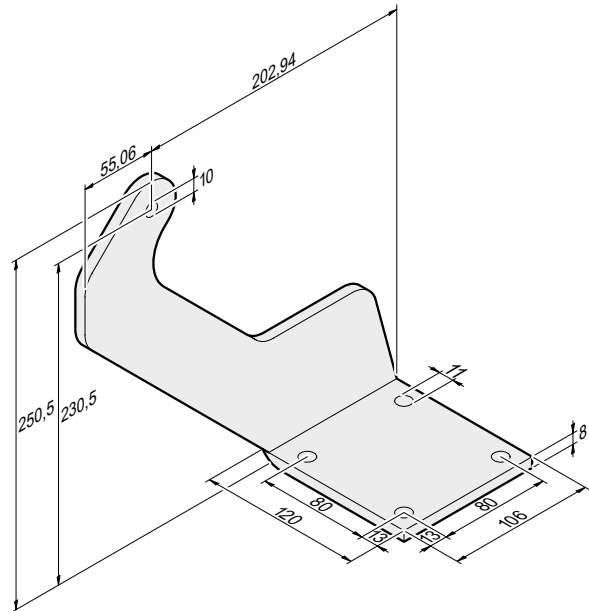
S13461-00001



Gate post fitting 50/104, standard

- > Suitable for use on the left or right
- > Galvanised

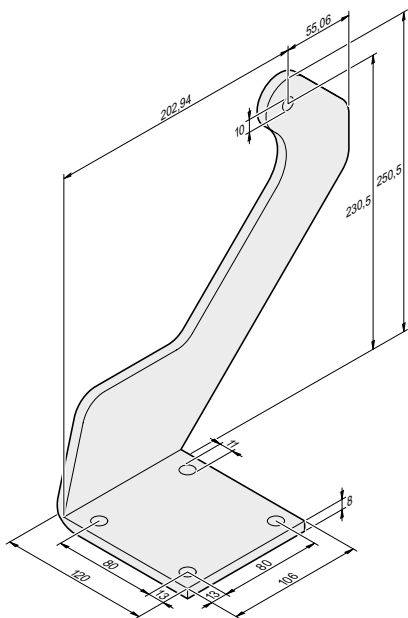
2251V000



Gate post fitting 203/230.5 L

- > off the centre
- > Hot-dip galvanised
- > Can be used for twist 200 E/EL and twist 350

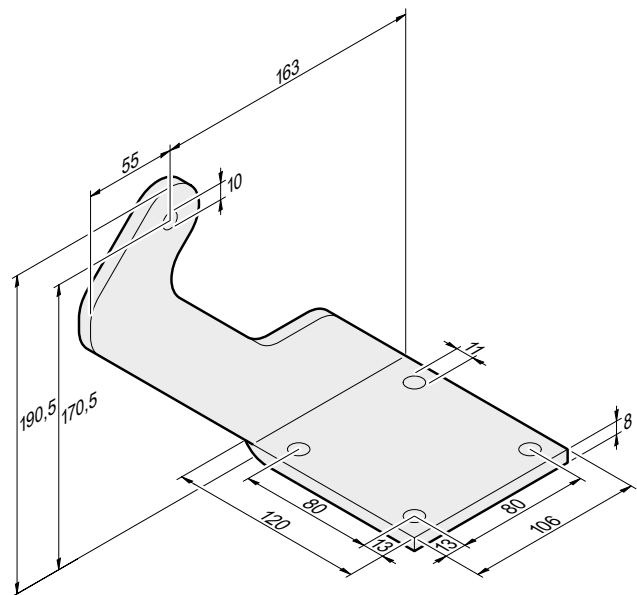
S12854-00001



Gate post fitting 203/230.5 R

- > off the centre
- > Hot-dip galvanised
- > Can be used for twist 200 E/EL and twist 350

S12855-00001



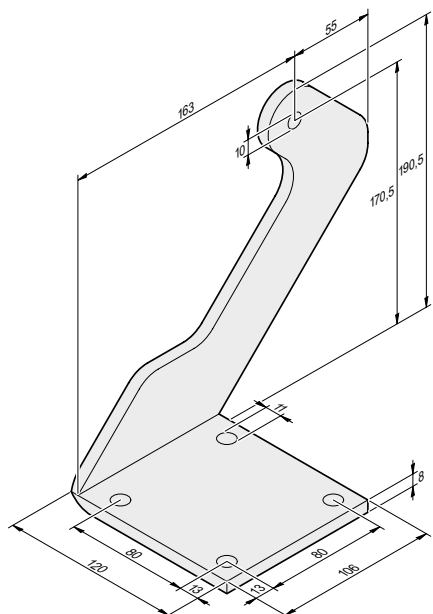
Gate post fitting 163/170.5 L

- > off the centre
- > Hot-dip galvanised

S12856-00001



Swing gate operators

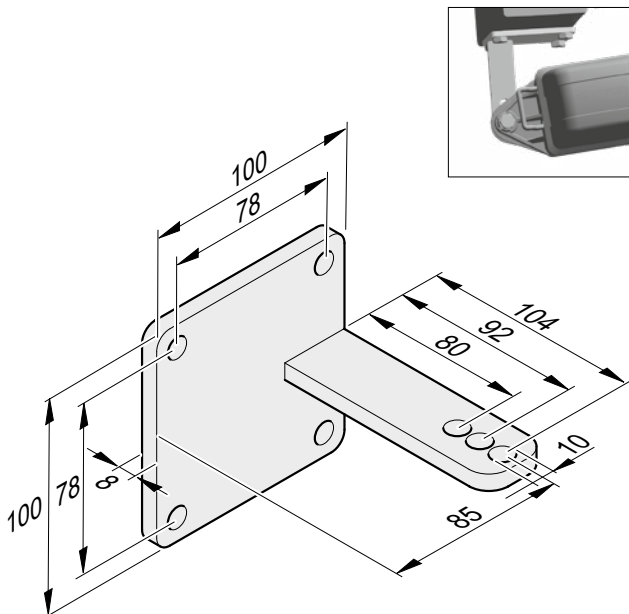


Gate post fitting 163/170,5 R

- › off the centre
- › Hot-dip galvanised

S12857-00001

Fittings for twist 200 E/EL, twist M/ML



Gate post fitting 85/104 L+R

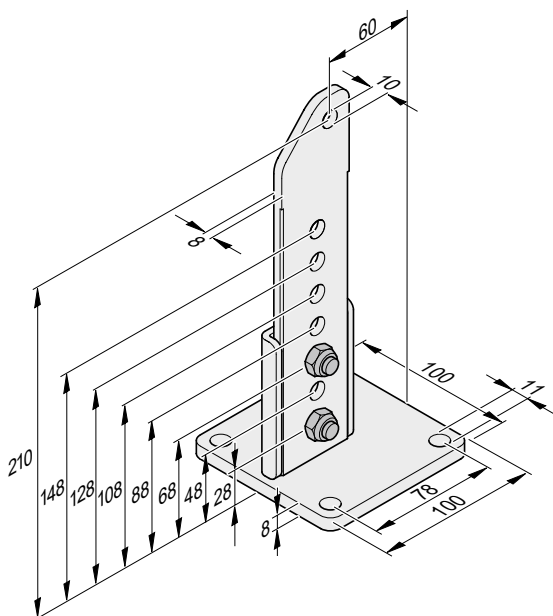
- › Suitable for use on the left or right

Galvanised

32063V001

Stainless steel

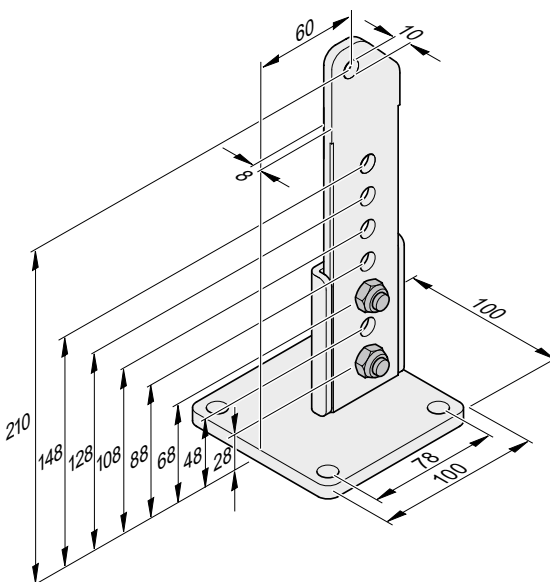
32063V004



Gate post fitting 60/210 L

- › Variable setting
- › Galvanised
- › Can be used for twist 200 E/EL and twist 350

S10751-00001

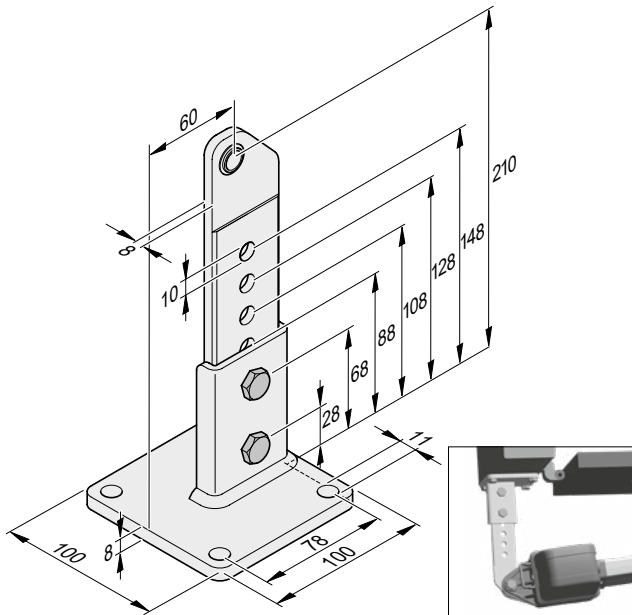


Gate post fitting 60/210 R

- › Variable setting
- › Galvanised
- › Can be used for twist 200 E/EL and twist 350

S10755-00001

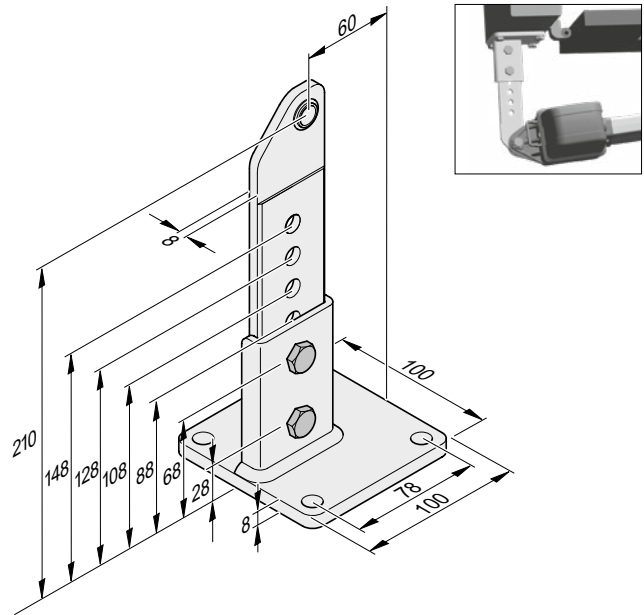




Gate post fitting with ball joint 60/210 L

- > For inclined gates (up to a maximum gate inclination of 10 %, max. gate leaf weight 120 kg, max. gate leaf width 2.5 m)
- > Variable setting
- > Galvanised

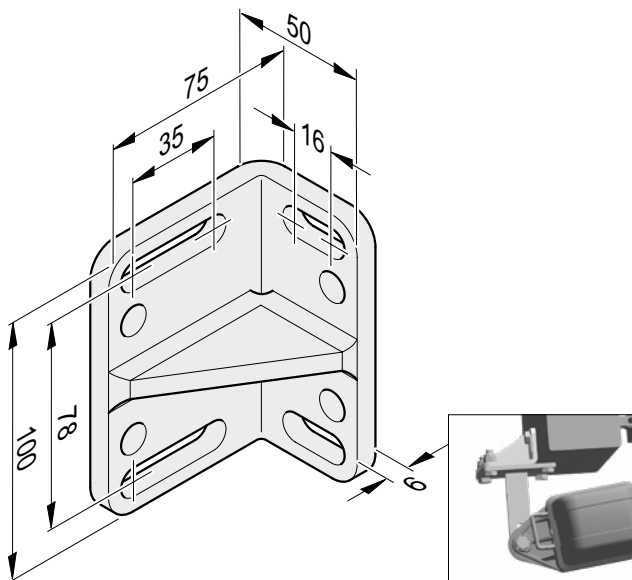
S10758-00001



Gate post fitting with ball joint 60/210 R

- > For inclined gates (up to a maximum gate inclination of 10 %, max. gate leaf weight 120 kg, max. gate leaf width 2.5 m)
- > Variable setting
- > Galvanised

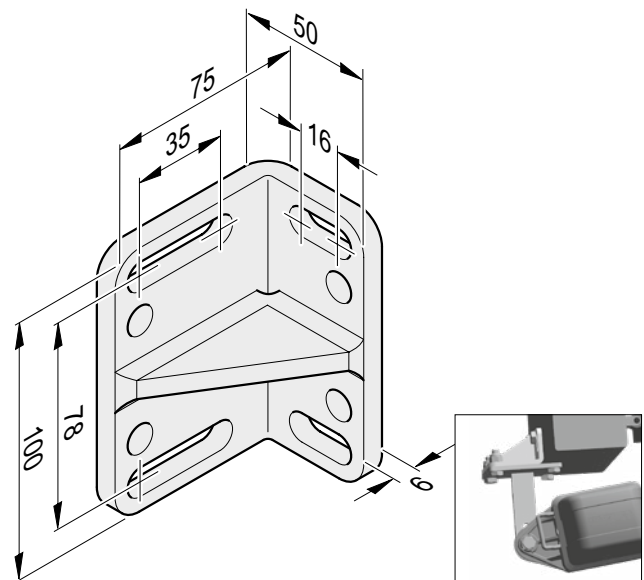
S10759-00001



Bracket for post fitting L+R

- > Galvanised
- > welded
- > Can only be used with gate post fittings # S10751-00001, # S10758-00001, # S10755-00001, # S10759-00001, # 2251V000, # 32063V001, # 32063V002 and # 32063V003

32066



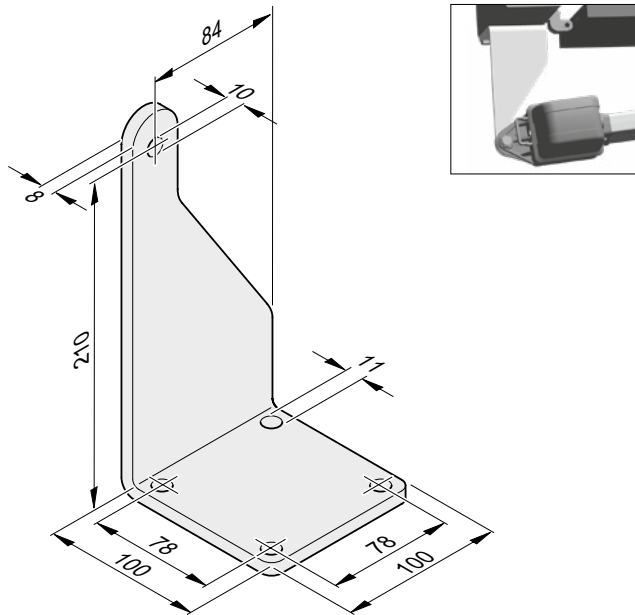
Bracket for post fitting L+R

- > Stainless steel
- > welded
- > Can only be used with gate post fitting # 32063V004

32066V001



Swing gate operators

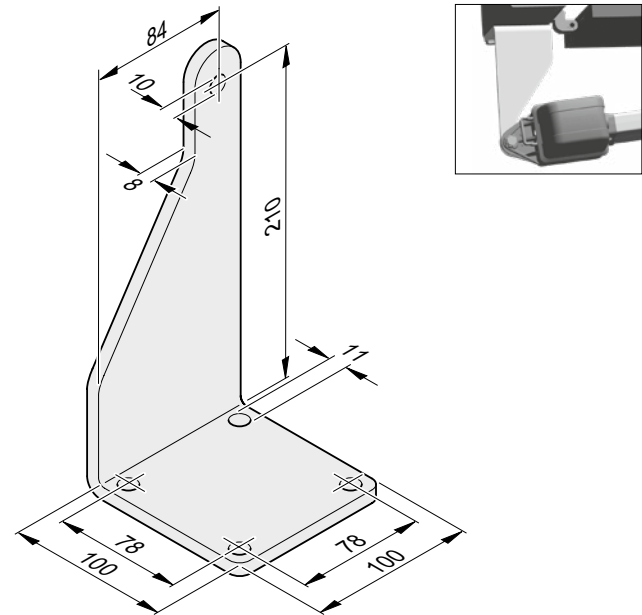


Gate post fitting 84/210 L

› Hot-dip galvanised

32063V002

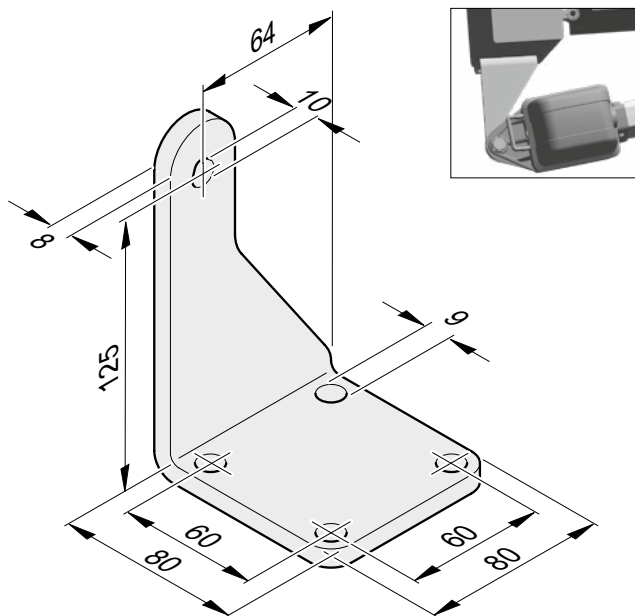
Fittings for twist 200 E/EL, twist M/ML



Gate post fitting 84/210 R

› Hot-dip galvanised

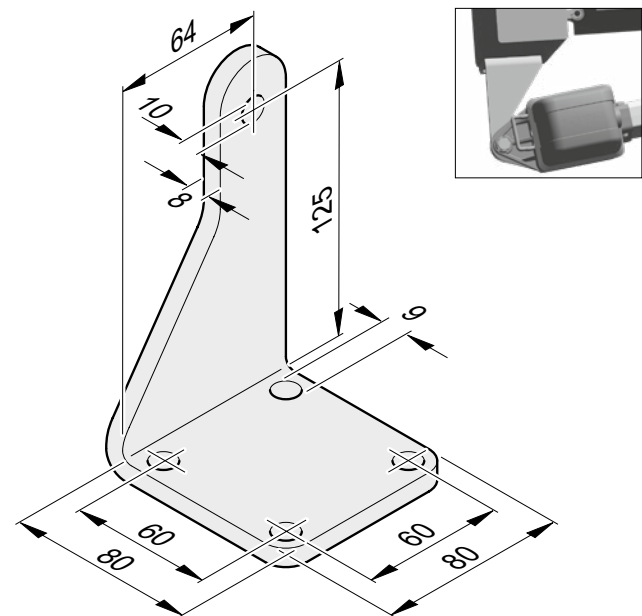
32063V003



Gate post fitting 64/125 L

› Hot-dip galvanised

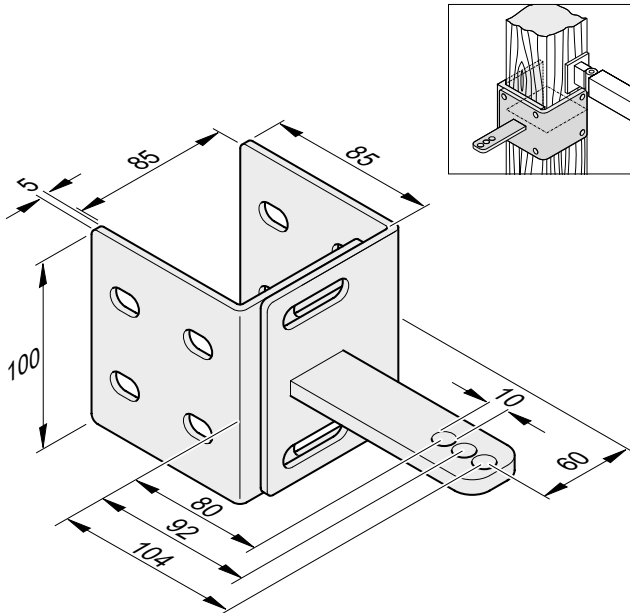
32063V174



Gate post fitting 64/125 R

› Hot-dip galvanised

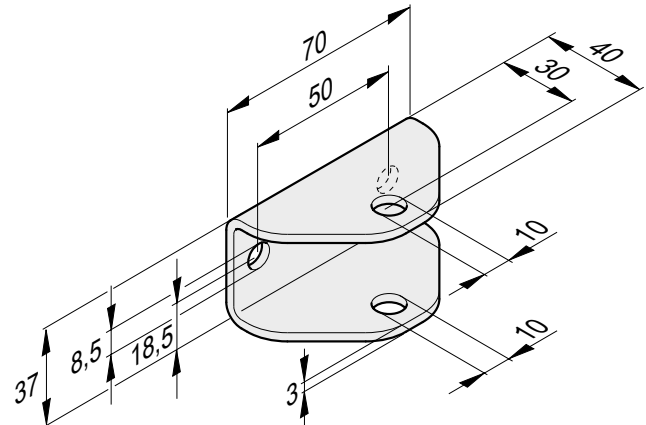
32063V175



Gate post fitting 60/104 L+R

- › Especially for mounting the operator on timber posts
- › Variable setting, 90–140 mm post thickness
- › Suitable for use on the left or right

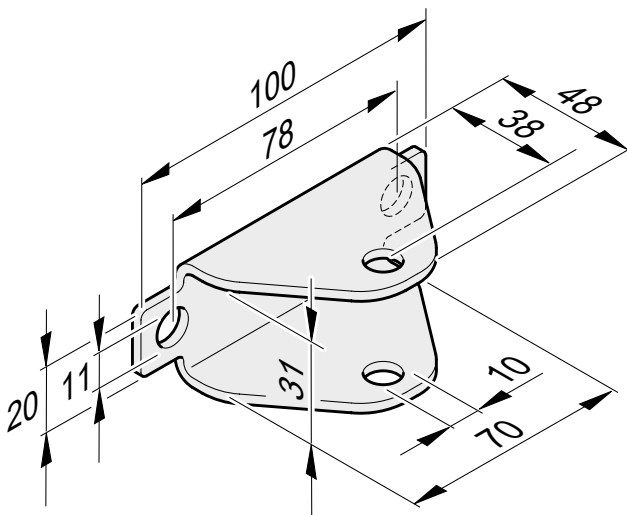
3108V000



Gate leaf fitting

- › Suitable for use on the left or right
- › Galvanised

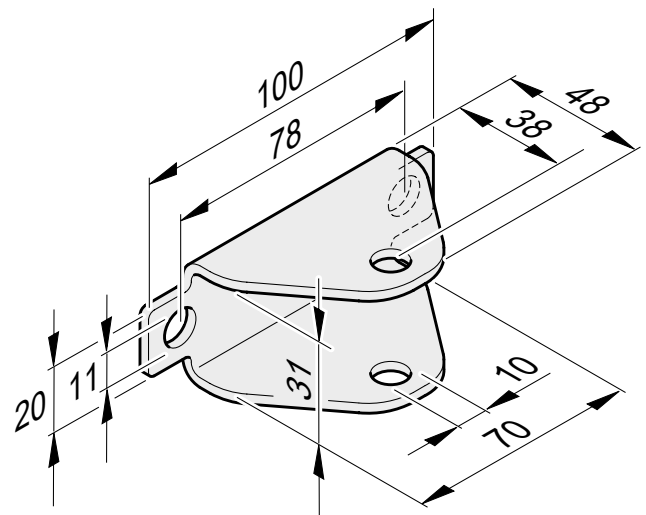
S11179-00001



Gate leaf fitting

- › Suitable for use on the left or right
- › Hot-dip galvanised

S11629-00001



Gate leaf fitting

- › Suitable for use on the left or right
- › Bore hole spacing matches twist 200 E operators up to date of manufacture 05/2010

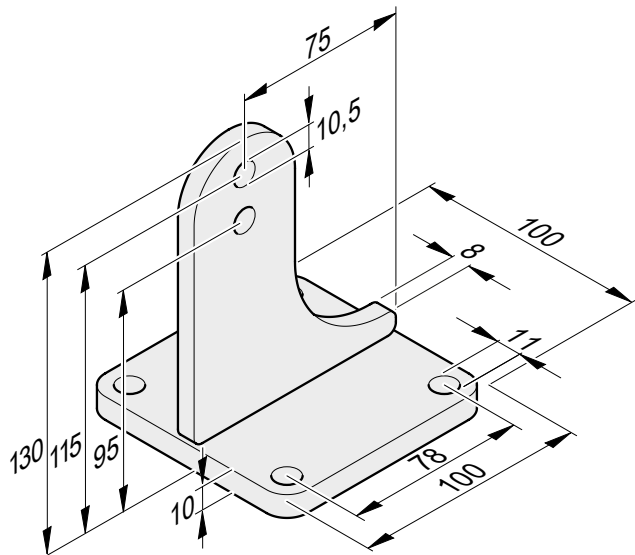
Galvanised

S11627-00001

Stainless steel

S11628-00001

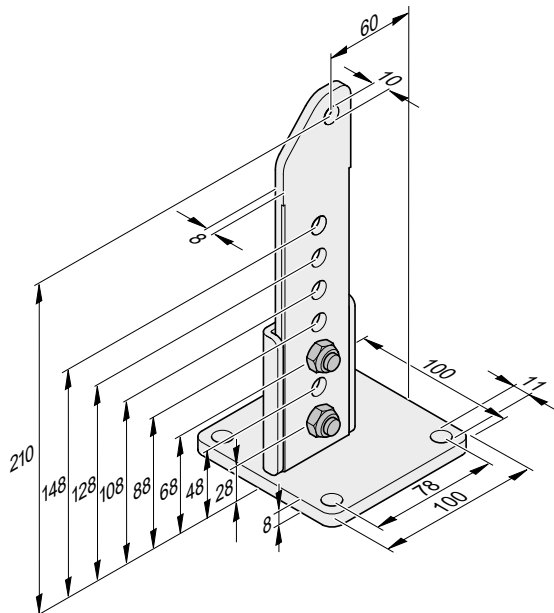




Gate post fitting 75/115

- > Suitable for use on the left or right
- > Galvanised

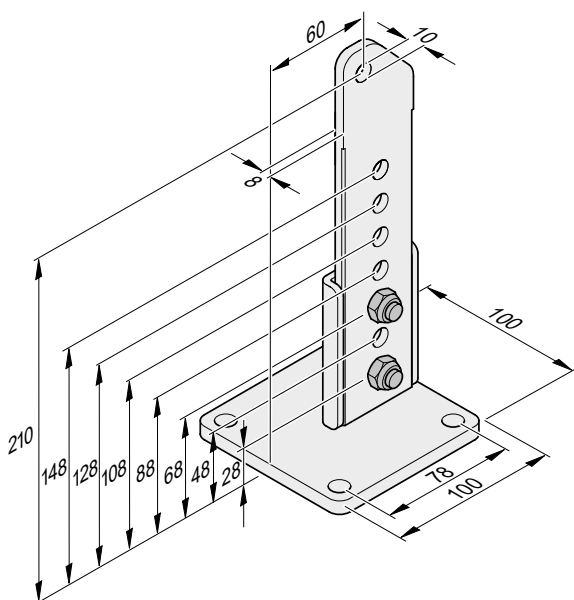
12295V000



Gate post fitting 60/210 L

- > Variable setting
- > Galvanised
- > Can be used for twist 200 E/EL and twist 350

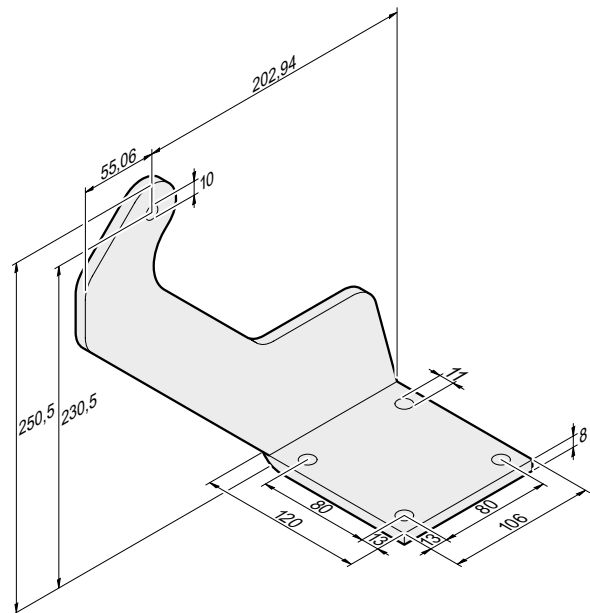
S10751-00001



Gate post fitting 64/125 L

- > Variable setting
- > Galvanised
- > Can be used for twist 200 E/EL and twist 350

S10755-00001

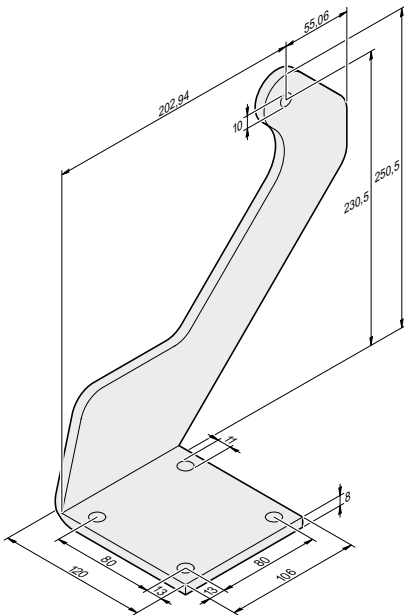


Gate post fitting 203/230.5 L

- > off the centre
- > Hot-dip galvanised
- > Can be used for twist 200 E/EL and twist 350

S12854-00001

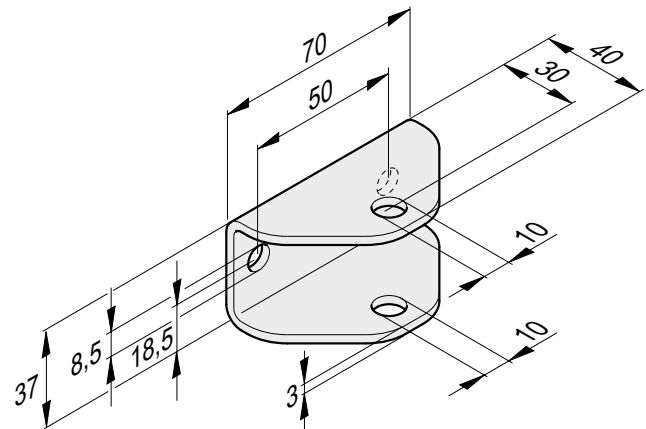




Gate post fitting 203/230.5 R

- > off the centre
- > Hot-dip galvanised
- > Can be used for twist 200 E/EL and twist 350

S12855-00001



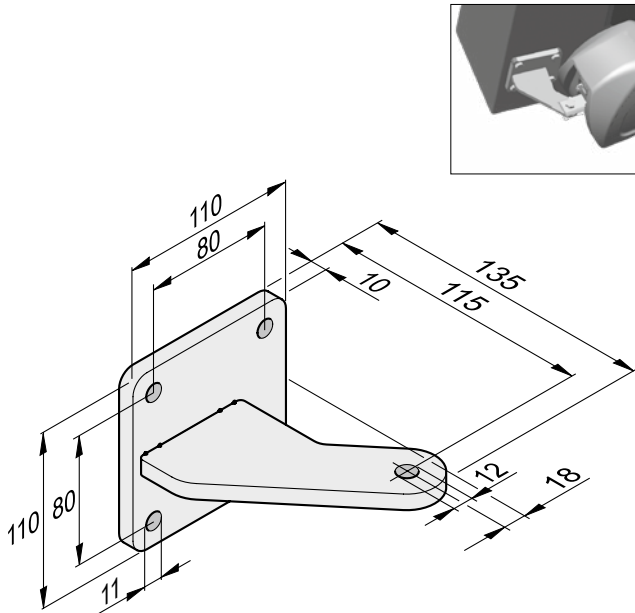
Gate leaf fitting

- > Suitable for use on the left or right
- > Galvanised

S11179-00001

Swing gate operators

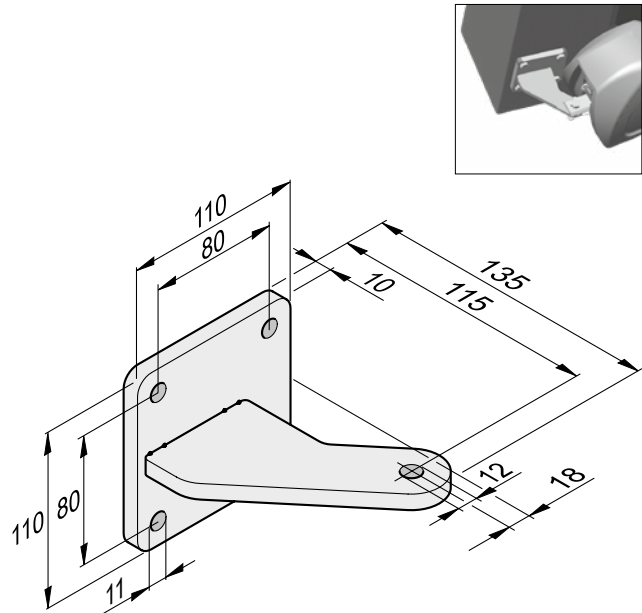
Fittings for twist XL



Gate post fitting 18/115 L+R

- > Suitable for use on the left or right
- > Galvanised
- > incl. mounting material

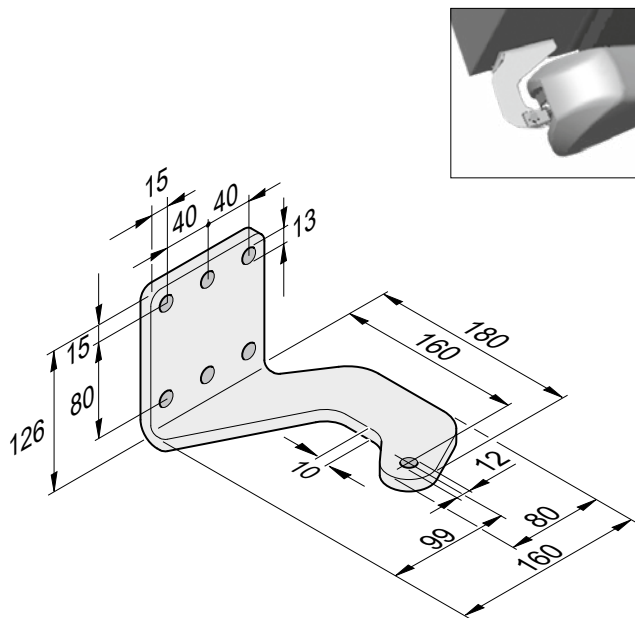
2187V000



Gate post fitting 18/115 L+R

- > Suitable for use on the left or right
- > Stainless steel

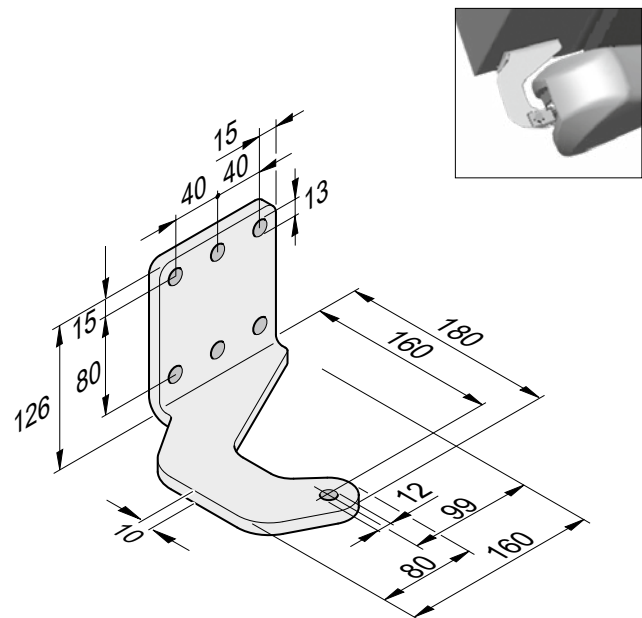
14514V009



Gate post fitting 100/160 L

- > 160 mm, curved
- > Galvanised

14514V005

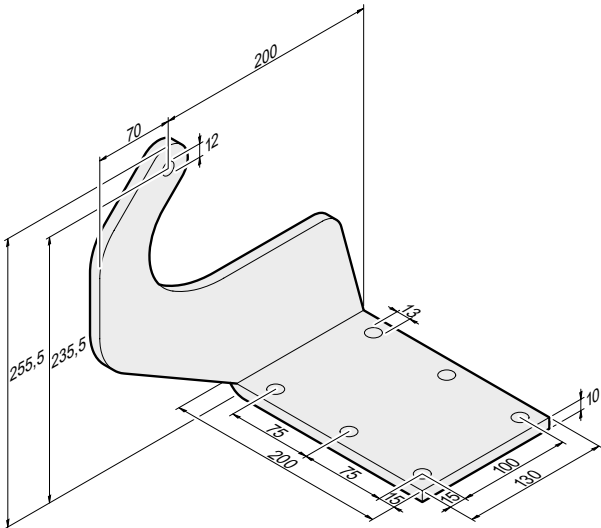


Gate post fitting 100/160 R

- > 160 mm, curved
- > Galvanised

14514V006

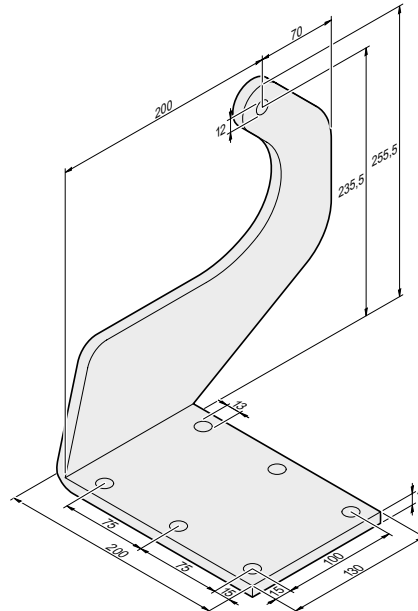




Gate post fitting 200/235.5 L

- > off the centre
- > Hot-dip galvanised

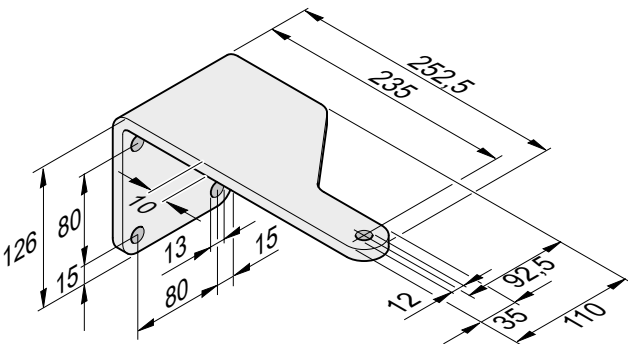
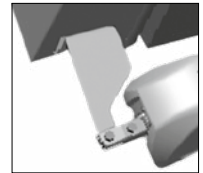
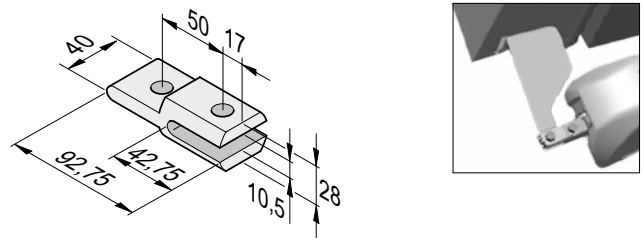
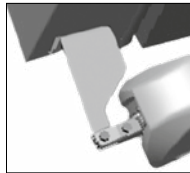
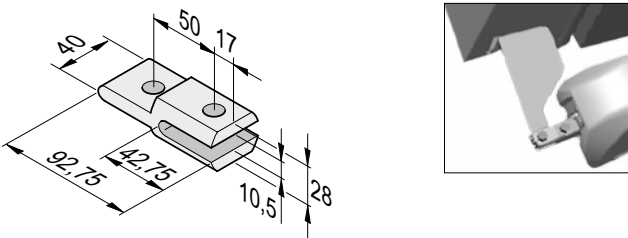
S12858-00001



Gate post fitting 200/235.5 R

- > off the centre
- > Hot-dip galvanised

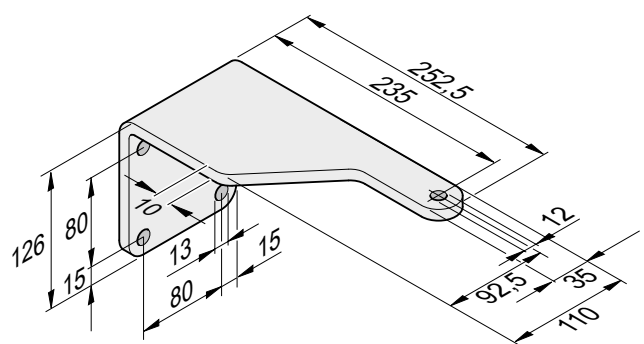
S12859-00001



Complete set "left leaf"

- > Consisting of: Gate post fitting 92/235 L, gate post connection (#14525V000) and mounting material

7613V000



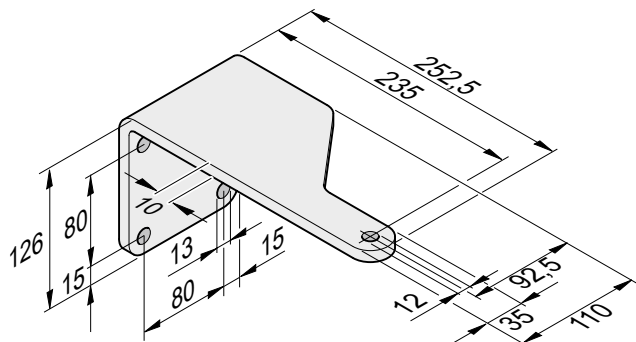
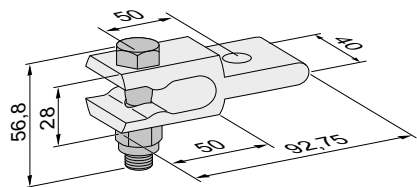
Complete set "right leaf"

- > Consisting of: Gate post fitting 92/235 R, gate post connection (#14525V000) and mounting material

7614V000



Swing gate operators

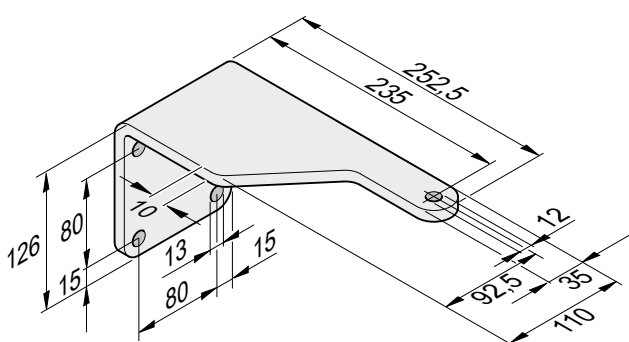
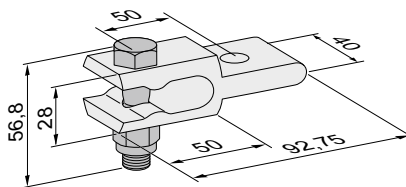


Set, inclination twist XL DIN left

- > For inclinations of up to 10 %
- > Consisting of: Gate post fitting 92/235, gate post connection (# 7634V000)

S12709-00001

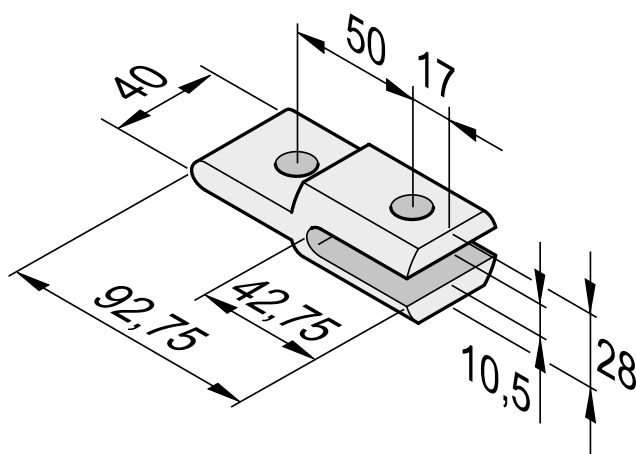
Fittings for twist XL



Set, inclination twist XL DIN right

- > For inclinations of up to 10 %
- > Consisting of: Gate post fitting 92/235, gate post connection (# 7634V000)

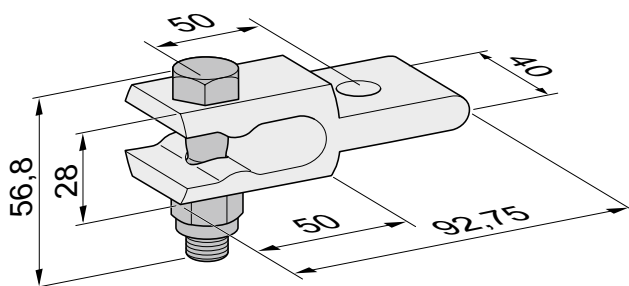
S12710-00001



Gate post connection

- > Extension: 50 mm
- > Galvanised

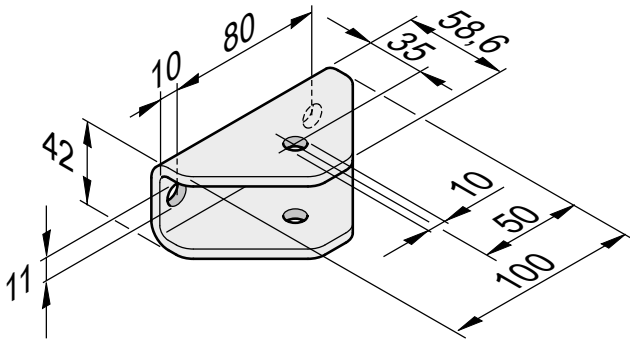
14525V000



Gate post connection for slopes

- > For inclined gates (up to a max. gate inclination of 10 %, max. gate leaf weight 300 kg, max. gate leaf width 5.0 m)
- > Extension: 50 mm
- > Galvanised
- > incl. screw and nut

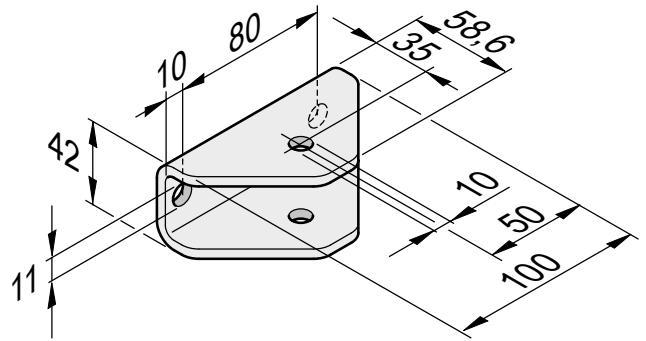
7634V000



Gate leaf fitting

- > Suitable for use on the left or right
- > Galvanised

14521V000



Gate leaf fitting

- > Suitable for use on the left or right
- > Stainless steel

14521V001

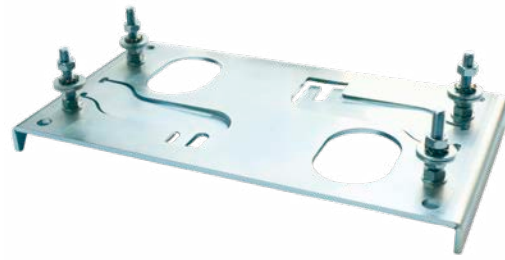




Installation bracket

- > For sliding gate operators RUNner and RUNner⁺
- > For concreting in
- > 4× hexagon bolt M8×30 mm
- > Dimensions: 308 × 165 × 204 mm (L × B × H)

5823V001



Installation bracket

- > For sliding gate operators RUNner and RUNner⁺
- > For concreting in
- > 4× hexagon bolt M8×45 mm
- > Screw-on
- > Dimensions: 316 × 165 × 24 mm (L × B × H)

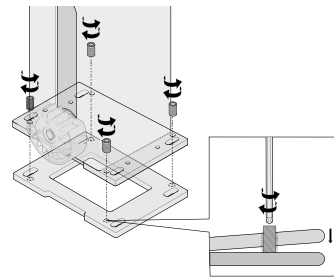
5823V002



Installation bracket

- > For sliding gate operators STArter and STArter⁺
- > Screw-on
- > Dimensions: 260 × 180 × 15 mm (L × B × H)

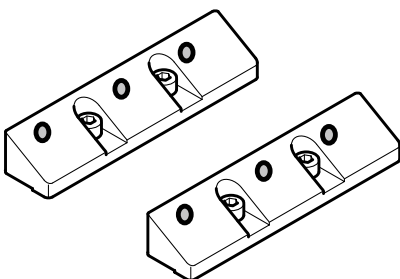
2119V001



Levelling plate in set

- > For sliding gate operator SP 900
- > For aligning the post perpendicularly, e.g. in the case of uneven concrete foundations
- > Galvanised
- > incl. screws

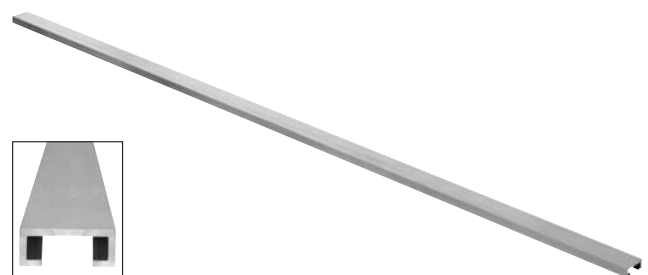
14038V000



Clamping claws set

- > For sliding gate operator SP 900
- > For additional fixing of the post
- > Material: Bare aluminium without surface finish
- > incl. screws

3701V000



Aluminium C-rail

- > Fits rubber profile (passive) and safety contact strips

Length 1 m

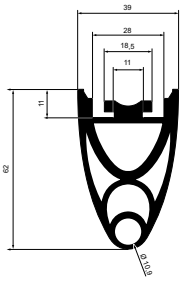
S11847-00001

Length 2 m

S11847-00002



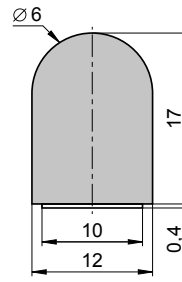
Sliding gate operators



Rubber profile (passive), Type GP62

- > For protection of the safety edges
- > Improved damping characteristics through 3-chamber-system
- > Improved appearance: The rubber profile covers the aluminium C-rail.

3677V000



Edge protection profile

- > Length: 6 m
- > Colour: black
- > Self-adhesive on one side

S10332-00001



Plastic rack with steel core

- > Plastic rack (length: 1 m; gear teeth dimensions: module 4)
- > Incl. mounting material
- > For sliding gates up to 600 kg

S11114-00001



Plastic rack with steel core in a set

- > 4x plastic rack (length: 1 m; gear teeth dimensions: module 4)
- > Incl. mounting material
- > For sliding gates up to 600 kg

S12243-00001



Steel rack, galvanised

- > Steel rack (length: 1 m; gear teeth dimensions: module 4)
- > Incl. mounting material
- > For sliding gates up to 1,200 kg

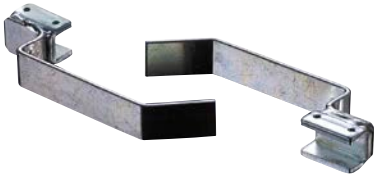
S12374-00001



Steel rack, galvanised, in a set

- > 4x steel rack (length: 1 m; gear teeth dimensions: module 4)
- > Incl. mounting material
- > For sliding gates up to 1,200 kg

S12496-00001



Control cam for steel rack

- > For DS 600 and DS 1200 sliding gate operators
- > in pairs

5805



Motor protection switch

0.63–1.0 A (for DS 600)

S12984-00001

1.6–2.5 A (for DS 1200)

S12985-00001

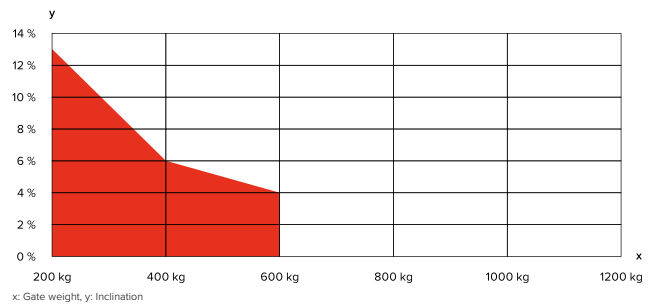


Radial damper for inclined gates up to 600 kg¹⁾

- > ideal speed regulation for inclined gates
- > one-side damping can be adjusted steplessly

5815V000

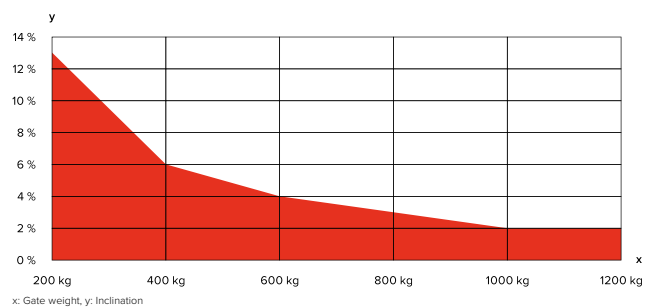
- > counter-direction with freewheel
- > gear teeth dimensions: module 4



Radial damper for inclined gates up to 1,200 kg¹⁾

- > ideal speed regulation for inclined gates
- > one-side damping can be adjusted steplessly

5816V000



- > counter-direction with freewheel
- > gear teeth dimensions: module 4

¹⁾ In compliance with the standards and directives listed in the Declaration of incorporation, particularly DIN EN 13241.



Sliding gate warning sticker

- > Set with 5 stickers
- > 80×110 mm

S13874-00001



GIGAslide extraction tool set **NEW**

- > Shaft with weight

S13749-00000



Floating support

- › Floating support made of aluminium
- › Recommended for boom lengths >4 m
- › 70 mm adjustment path
- › incl. mounting material

S13053-00001

Support post

- › Recommended for boom lengths >4 m
- › 200 mm adjustment path
- › Colour: white

S11061-00001

Boom adapter set

- › For converting barrier models ASB-6010 and ASB-6010A to the oval booms boom 400, boom 580 and boom 500 LED.

S13028-00001



Wall anchor

- > for new constructions with newly built box

5905V000



Wall anchor clip

- > with spring cotter pin
- > for front and construction elements

5933V000



Universal wall anchor

- > for renovations and new constructions with newly built box
- > simplified installation thanks to flexible and time-saving shaft adjustment
- > can be unlatched

5935V000



Adapter set d50mm octagon

- > for 50 mm octagonal tube
- > for all tubular motors A XX/XX/45

S12408-00001



Adapter set d61mm notch

- > for 63 mm notch tube
- > for all tubular motors A XX/XX/45

S12410-00001



Adapter set d66mm octagon

- > for 70 mm octagonal tube
- > for all tubular motors A XX/XX/45

S12409-00001



Adapter set d66mm notch

- > for 70 mm notch tube
- > for all tubular motors A XX/XX/45

S12411-00001



Adapter set d75mm notch

- > for 78 mm notch tube
- > for all tubular motors A XX/XX/45

S12412-00001



Adapter set d82mm notch

- > for 85 mm notch tube
- > for all tubular motors A XX/XX/45

S12413-00001



Isolating relay

- > for parallel connection of 2 tubular motors to a joint control unit or a locked blind button
- > Connections for locked blind buttons for single operation of the connected motors
- > Installation, for example, in a size 55 socket with deep terminal space

S12416-00001





Prestige roller door control unit

- › The all-round control unit for roller shutter and awning operators.
- › In comparison to roller shutter switches and buttons, offers extended functions and combination options
- › Manual or automatic mode can be set via central control unit
- › Weekly function and opening and closing time can be programmed individually for each day of the week
- › Random/holiday function can be activated for presence simulation
- › Astro function and opening and closing corresponding to the current sunrise and sunset times
- › Automatic summer and wintertime changeover
- › Sun function and connection option for light sensor
- › Runtime adjustment, ventilation position, impulse mode (jog)
- › 3-wire central input
- › Separate connection for central command forwarding
- › Colour: signal white (similar to RAL 9016)
- › including cover frame for individual assembly

S13968-00001



Connection cable set for house doors

- › For ENTRAsys⁺ and ENTRAcod⁺
- › For lock type GU-SECURY

S11594-00001



Connection cable set for house doors

- › For ENTRAsys⁺ and ENTRAcod⁺
- › for lock type MACO

S11594-00007



Tool set

- › For installation of the core module ENTRAsys⁺ and ENTRAcod⁺ in the door panel
- › Incl. casing drill, clamping mandrel, 2× small cutting disc, cable stripping knife, screwdriver, sheet metal drill Ø 9.6 mm, sheet metal drill Ø 4 mm and 2× drills Ø 2 mm

S11675-00001



Universal power supply

- › AC 230 V / DC 12 V, 1,500 mA
- › Dimensions: 57 × 53 × 25 mm
- › overload, short-circuit and thermal protection
- › Leakage current < 100 µA
- › Degree of protection IP68

10361

Index

Part no.	Page
927	247
1500V000	238
1609V001	242
1612	240
1613	244
1620	240
1628V000	243
1634V000	243
1640V000	214
1646V000	245
1646V002	245
1650V000	236
1651V000	204
1890V000	243
1891V000	243
1892V000	243
1897V000	243
2119V001	263
2187V000	258
2251V000	251
2600V000	28
3000V000	32
3010V000	32
3020V000	32
3060V000	36
3100	241
3101	236
3102	236
3103	237
3104V000	242
3105	238
3106	238
3108V000	255
3113	234
3117	241
3119V000	224
3122V000	237
3204V000	248
3205V003	249
3248V000	248
3271V000	248
3280V000	80
3408V000	122
3409V000	122
3677V000	264
3680	218
3682	218
3701V000	263
3702V000	108
3707V000	228
3710V000	104
3712V000	104
3734V000	90
3735V000	90
3800V000	231
4004V001	171
4011V000	167
4018V000	156
4018V001	156
4018V003	156
4018V020	156
4019V000	156
4019V001	156
4019V003	156
4019V021	156

Part no.	Page
4020V000	167
4038V000	159
4050V000	171
4640V000	167
4641V000	167
4643V000	157
4643V001	157
4650V000	167
4752V000	167
4753V000	168
4762V000	168
4762V001	168
4796V000	169
4796V001	169
5001V000	209
5024	211
5026	211
5037	245
5069V001	226
5070V001	226
5073V001	220
5075V002	222
5078	218
5079	218
5095	222
5096V001	219
5100	244
5102V000	249
5114V000	227
5115V001	228
5116-000V000	239
5116-100V100	239
5116V000	239
5116V003	239
5116V100	239
5150V001	223
5212V000	201
5213V001	201
5228	215
5229	215
5230V000	224
5231V000	224
5232V000	224
5233	215
5234V000	215
5406V000	217
5412V000	217
5805	265
5815V000	265
5816V000	265
5823V001	263
5823V002	263
5905V000	268
5933V000	268
5935V000	268
5980V000	170
5990V000	170
7004V000	163, 169
7004V001	163, 169
7004V002	163, 169
7004V003	163, 169
7020V000	214
7023V000	214
7028V000	213
7028V001	214

Part no.	Page
7029V000	213
7041V000	206
7042V000	206
7043V000	205
7044V000	237
7441	172
7613V000	259
7614V000	259
7634V000	260
7640V000	216
8500V000	20
8700V000	20
8800V000	20
10296V000	217
10297V000	217
10298V000	217
10361	271
10371	204
10373	166, 204
10377	247
10378	205
10382V000	211
10383V000	211
10460V000	244
10462V003	244
12295V000	256
14038V000	263
14514V005	258
14514V006	258
14514V009	258
14521V000	261
14521V001	261
14525V000	260
20466V000	228
20466V001	228
20764V002	219
21106V000	160
21106V030	160
21107V000	160
21107V010	160
21107V020	160
21107V030	160
32063V001	252
32063V002	254
32063V003	254
32063V004	252
32063V174	254
32063V175	254
32066	253
32066V001	253
46072V000	184
50007	242
50046	222
50046V002	220
65296V000	246
80103	239
80104	239
80134	214
S10019-00001	156
S10152-00001	248
S10154-00001	24
S10155-00001	24
S10156-00001	24
S10171-00002	238
S10178-00001	245

Part no.	Page	Part no.	Page	Part no.	Page
S10201-00001	236	S11114-00001	264	S12039-00001	86
S10202-00001	158	S11141-00001	209, 249	S12042-00001	86
S10205-00001	206	S11142-00001	249	S12056-00001	233
S10212-00001	158	S11142-00002	250	S12068-00001	210
S10212-00032	158	S11179-00001	255, 257	S12068-00002	210
S10228-00002	235	S11181-00001	215	S12068-00003	210
S10305-00001	157	S11186-00001	193	S12134-00001	98
S10313-00001	44	S11187-00001	199	S12135-00001	98
S10314-00001	44	S11188-00001	199	S12243-00001	264
S10315-00001	44	S11189-00001	192	S12271-00001	180
S10332-00001	249, 264	S11190-00001	198	S12271-00002	180
S10343-00001	205	S11191-00001	190	S12272-00001	182
S10355-00001	246	S11192-00001	196	S12272-00002	182
S10357-00001	200	S11298-00003	235	S12374-00001	264
S10447-00001	159	S11342-00001	177	S12378-00001	181
S10447-00002	159	S11449-00001	224	S12378-00002	181
S10448-00001	156	S11450-00001	224	S12379-00001	220
S10448-00012	156	S11456-00001	128	S12380-00001	220
S10453-00001	48	S11466-00001	210	S12381-00001	220
S10454-00001	48	S11474-00001	241	S12382-00001	221
S10455-00001	48	S11479-00001	233	S12383-00001	221
S10456-00001	48	S11480-00001	226	S12384-00001	221
S10456-00011	48	S11481-00001	226	S12385-00001	221
S10489-00001	212	S11511-00001	205	S12386-00001	221
S10523-00002	229	S11520-00001	58	S12387-00001	222
S10547-00001	232	S11521-00001	58	S12388-00001	221
S10556-00001	262	S11522-00001	60	S12402-00001	148
S10600-00001	214	S11523-00001	60	S12403-00001	148
S10603-00001	84	S11524-00001	72	S12404-00001	148
S10604-00001	84	S11525-00001	72	S12406-00001	148
S10605-00001	84	S11526-00001	80	S12407-00001	148
S10696-00001	161	S11561-00001	184	S12408-00001	268
S10741-00000	237	S11566-00001	112	S12409-00001	268
S10751-00001	252, 256	S11567-00001	114	S12410-00001	268
S10755-00001	252, 256	S11568-00001	104	S12411-00001	269
S10758-00001	253	S11569-00001	108	S12412-00001	269
S10759-00001	253	S11584-00001	233	S12413-00001	269
S10771-00001	227	S11594-00001	271	S12416-00001	269
S10794-00001	162	S11594-00007	271	S12478-00001	213
S10798-00002	212	S11614-00001	191	S12496-00001	264
S10807-00001	207	S11614-00004	191	S12615-00001	248
S10814-00002	219	S11615-00001	197	S12620-00001	143
S10834-00001	234	S11615-00004	197	S12628-00001	229
S10848-00003	219	S11627-00001	255	S12641-00001	225
S10854-00001	206	S11628-00001	255	S12655-00002	183
S10868-00001	244	S11629-00001	255	S12656-00002	183
S10904-00001	84	S11675-00001	271	S12706-00001	225
S10905-00001	84	S11812-00001	80	S12709-00001	260
S10906-00001	84	S11813-00001	112	S12710-00001	260
S10929-00001	213	S11814-00001	114	S12712-00001	76
S10929-00002	213	S11815-00001	104	S12713-00001	76
S10940-00001	246	S11816-00001	104	S12735-00001	100
S10941-00001	232	S11817-00001	104	S12736-00001	100
S10941-00003	232	S11842-00001	157	S12739-00001	219
S10970-00001	215	S11847-00001	218, 263	S12740-00001	142
S10994-00001	235	S11847-00002	218, 263	S12741-00001	142
S10998-00001	193	S11848-00001	220	S12747-00001	225
S11004-00001	164	S11848-00002	220	S12758-00001	208
S11011	166	S11876-00001	247	S12759-00001	208
S11013-00001	216	S11925-00001	157	S12760-00001	208
S11059-00001	216	S11929-00001	246	S12761-00001	208
S11061-00001	267	S12027-00001	86	S12762-00001	208
S11066-00001	212	S12030-00001	86	S12763-00001	208
S11111-00001	235	S12033-00001	86	S12764-00001	208
S11112-00001	235	S12036-00001	86	S12765-00001	208

Index

Part no.	Page
S12766-00001.....	209
S12767-00001.....	210
S12768-00001.....	210
S12769-00001.....	209
S12772-00001.....	138
S12772-00002.....	139
S12773-00001.....	138
S12829-00001.....	155, 179
S12829-00003.....	155, 179
S12854-00001.....	251, 256
S12855-00001.....	251, 257
S12856-00001.....	251
S12857-00001.....	252
S12858-00001.....	259
S12859-00001.....	259
S12887-00001.....	183
S12938-00001.....	248

Part no.	Page
S12959-00001.....	161
S12984-00001.....	265
S12985-00001.....	265
S13010-00001.....	136
S13011-00001.....	136
S13012-00001.....	134
S13013-00001.....	134
S13028-00001.....	267
S13053-00001.....	267
S13122-00001.....	204
S13449-00001.....	236
S13461-00001.....	250
S13494-00001.....	213
S13519-00001.....	118
S13571-00001.....	165
S13574-00001.....	230
S13645-00001.....	227

Part no.	Page
S13655-00001.....	212
S13681-00001.....	228
S13687-00001.....	163
S13694-00001.....	66
S13695-00001.....	66
S13696-00001.....	68
S13697-00001.....	68
S13704-00001.....	229
S13745-00001.....	250
S13749-00000.....	266
S13874-00001.....	266
S13875-00001.....	250
S13968-00001.....	270
S13990-00001.....	242
S14071-00001.....	235

Germany (Head Office)

**SOMMER Antriebs- und
Funktechnik GmbH**
Hans-Böckler-Straße 27
73230 Kirchheim unter Teck
Germany
info@sommer.eu
www.sommer.eu

